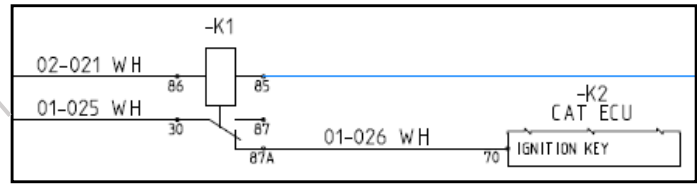
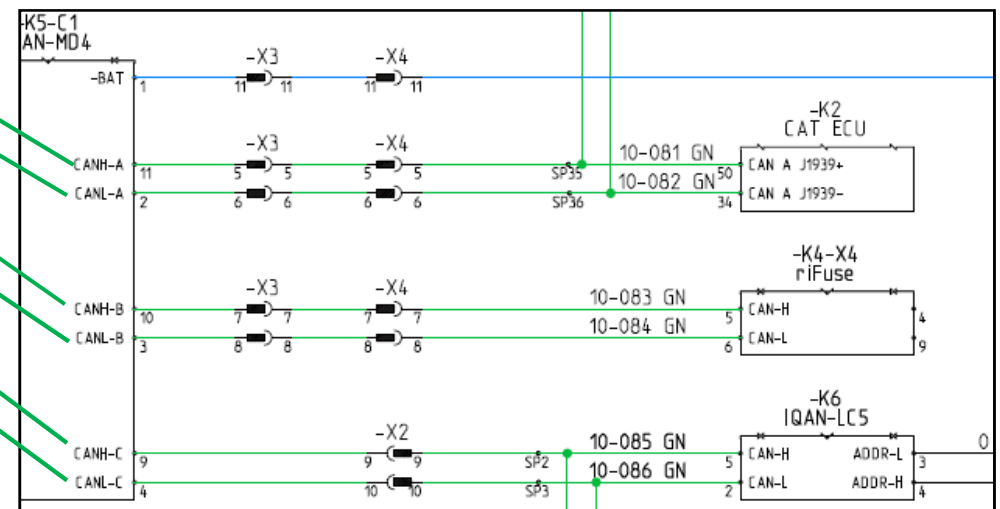
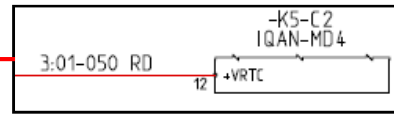
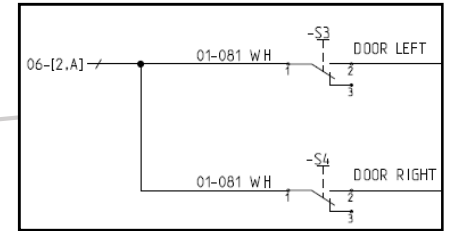
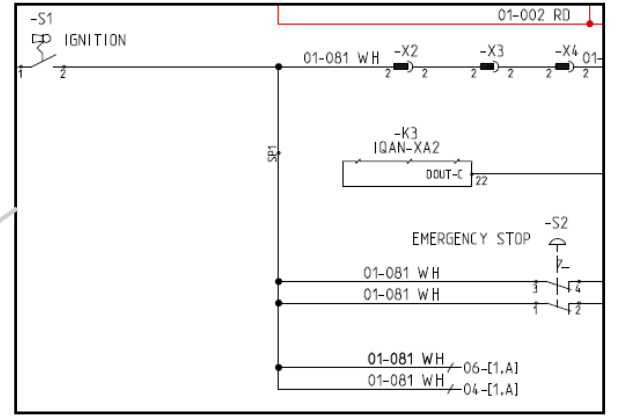
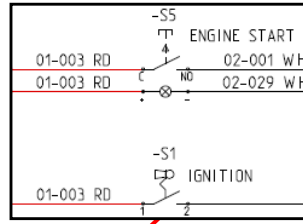


HDC CONNECTOR TABLE -X3-S			
QTY	PART NAME	P/N	
1	CONNECTOR	1873560000	
CONNECTOR PINOUT			
CLR-GA	WIRE NAME	POS	TERM/PLUG
(+)	RD-1.5	1:01-003/04	1 RSB77350001V
	WH-1.5	2:01-081/11	2 RSB77350001V
	RD-0.75	3:01-050/30	3 RSB77350001V
(-)	WH-1.5	4:GND/28	4 RSB77350001V
	GN-0.75	5:10-081/01	5 RSB77350001V
	GN-0.75	6:10-082/01	6 RSB77350001V
	GN-0.75	7:10-083/01	7 RSB77350001V
	GN-0.75	8:10-084/01	8 RSB77350001V
	GN-0.75	9:10-085/04	9 RSB77350001V
	GN-0.75	10:10-086/04	10 RSB77350001V
(-)	BU-1.5	11:GND/01	11 RSB77350001V
	WH-1.5	12:01-025/02	12 RSB77350001V
		13	



(+)

(-)

(-)