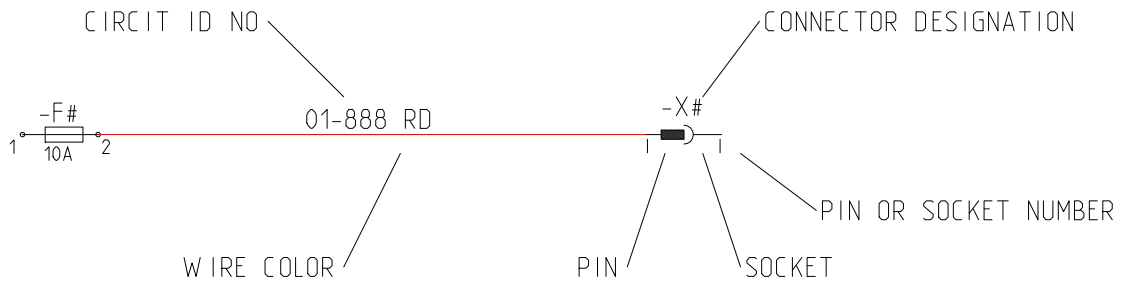


1 2 3 4 5 6 7 8

REVISION	TYPE OF REVISION / REVISION NOTE	APPROVED BY - DATE
00	3094	TKut-2015-01-12
01	3133	TKut-2015-02-19




- MAIN POWER — RD RED
- GENERAL — WH WHITE
- CAN-BUS — GN GREEN
- VOLTAGE REF. 5V — YE YELLOW
- VOLTAGE REF. 0V — VT VIOLET
- GROUND — BU BLUE

This document is the property of Rimaster Development AB and must not be copied, reproduced, or be used for any other purpose without the written approval of Rimaster Development AB. COPYRIGHT Rimaster Development AB 2011

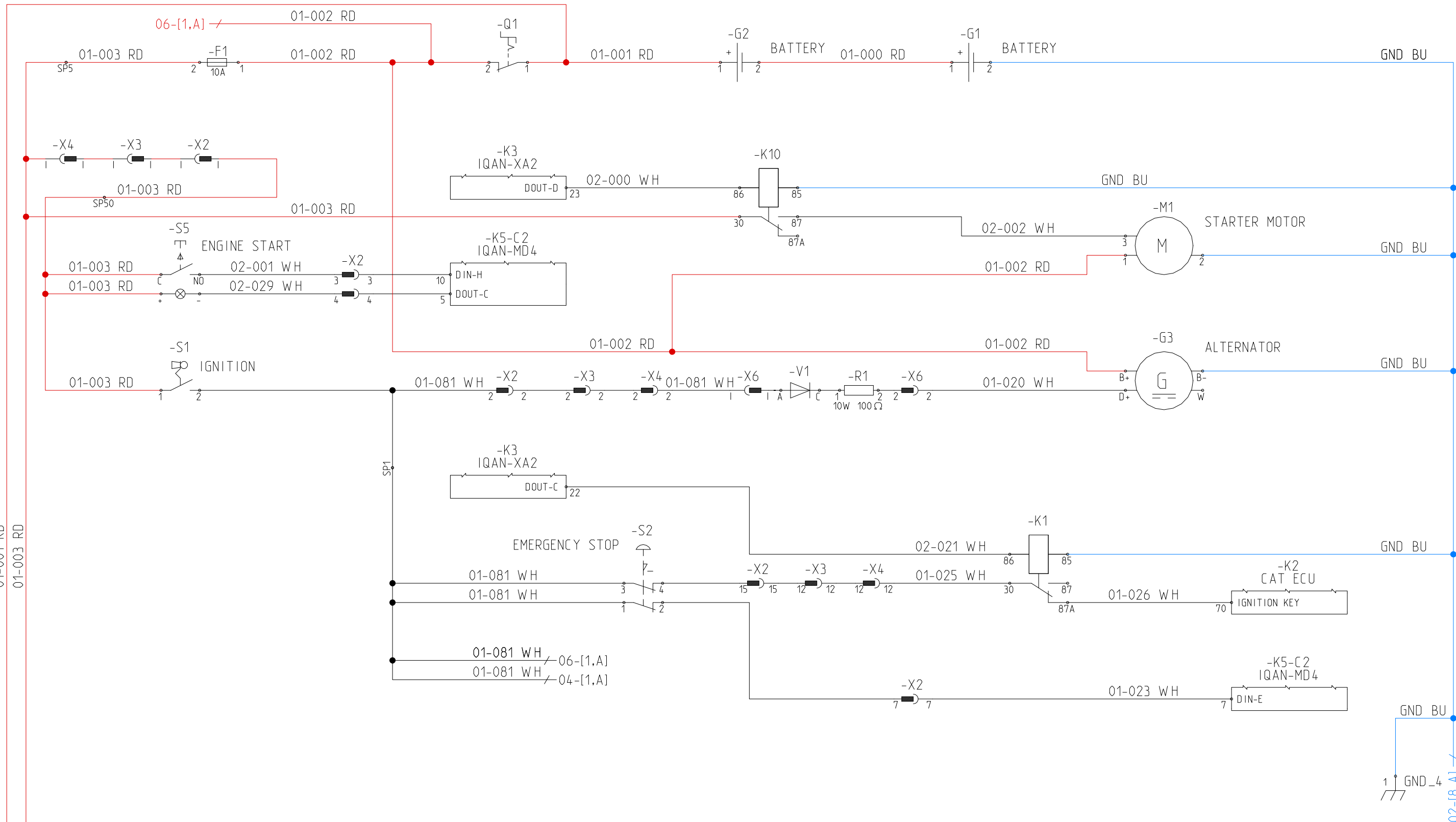
Release Level Released (Intralink Ver. -)

SHEET	TITLE
1	POWER SUPPLY
2	DIESEL ENGINE
3	DIESEL ENGINE
4	LIGHTS, DOOR SWITCHES
5	WORKING HYDRAULICS
6	CAN-BUS, J1939

DESIGNER DBR	DRAWN DBR	APPROVED BY DBR	APPROVED DATE 150227	GENERAL TOLERANCE -	DRAWING TYPE Circuit	FORMAT A3	COMPUTER BASED RSDesigner	PROJECTION METHOD ⊕	SCALE -
				DIAGRAM INFO					
				CUSTOMER CRANAB SLAGKRAFT				CUSTOMER REF CRAFT W 17	
				DRAWING NO 5018435				REVISION 01	

1 2 3 4 5 6 7 8

REVISION	TYPE OF REVISION / REVISION NOTE	APPROVED BY - DATE
00	3094	TKut-2015-01-12
01	3133	TKut-2015-02-19



This document is the property of Rimaster Development AB and must not be copied, reproduced, or used for any other unauthorized purpose. Copyright Rimaster Development AB 2011

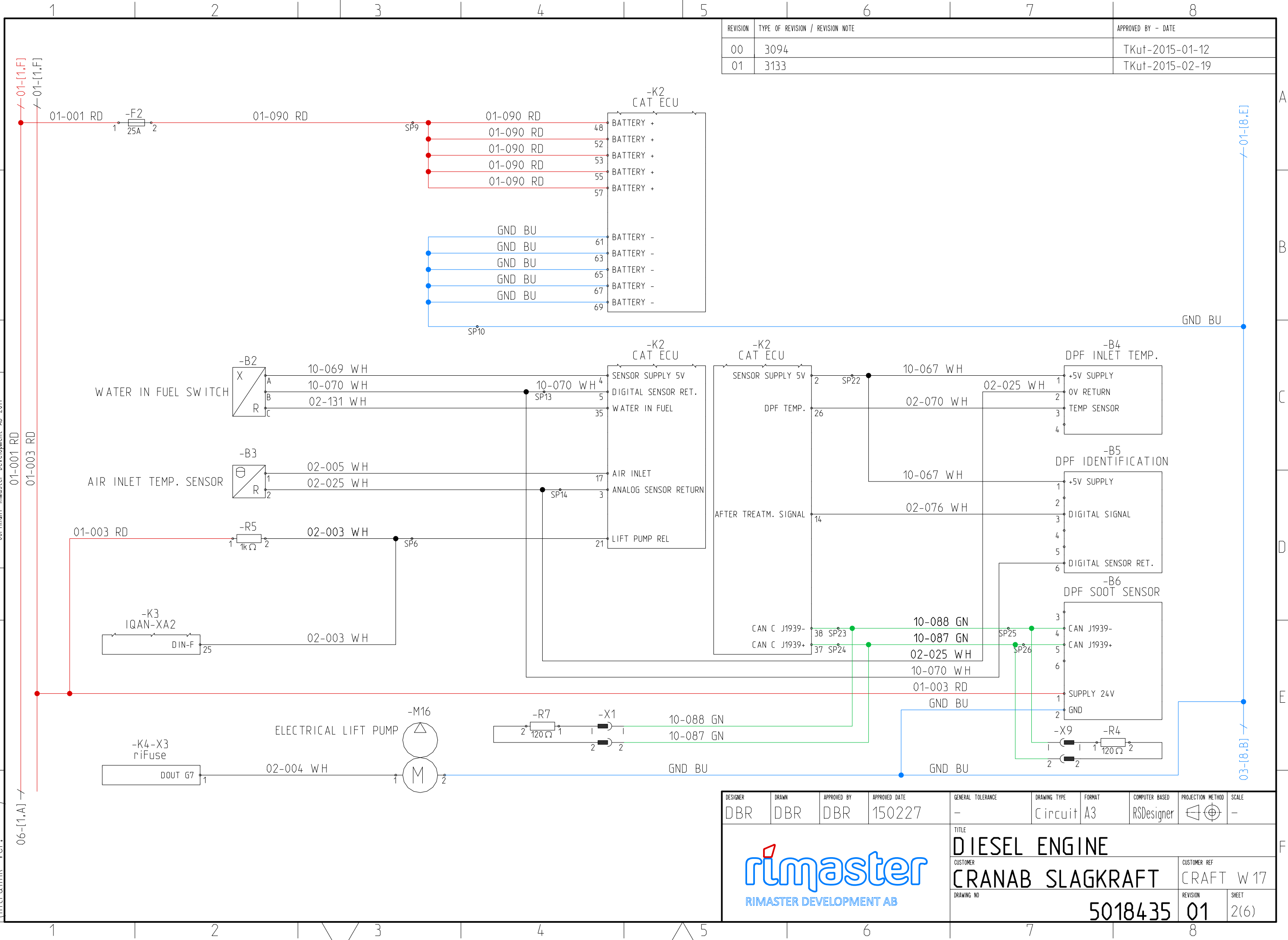
Release Level Prototype (Intralink Ver. -)

DESIGNER	DRAWN	APPROVED BY	APPROVED DATE	GENERAL TOLERANCE	DRAWING TYPE	FORMAT	COMPUTER BASED	PROJECTION METHOD	SCALE
DBR	DBR	DBR	150227	-	Circuit	A3	RSDesigner		-
 RIMASTER DEVELOPMENT AB				TITLE POWER SUPPLY					
				CUSTOMER CRANAB SLAGKRAFT			CUSTOMER REF CRAFT W 17		
				DRAWING NO 5018435			REVISION 01		SHEET 1(6)

REVISION	TYPE OF REVISION / REVISION NOTE	APPROVED BY - DATE
00	3094	TKut-2015-01-12
01	3133	TKut-2015-02-19

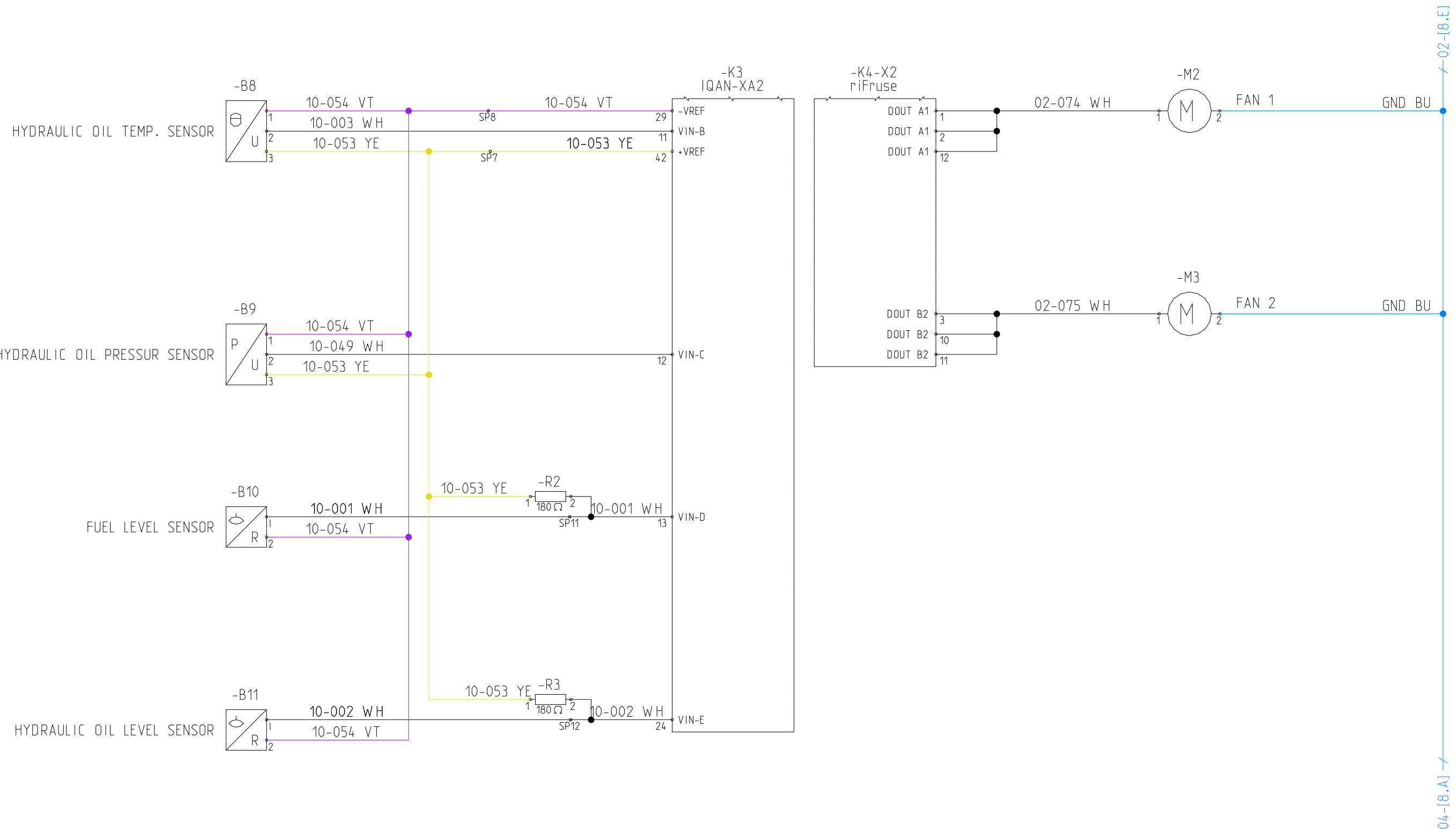
This document is the property of Rimaster Development AB and must not without Rimaster Development AB written approval be copied, imprinted, reproduced, disseminated, sold, or used for any other unauthorized purpose.
 COPYRIGHT Rimaster Development AB 2011

Release Level Prototype
 (Intralink Ver. -)




DESIGNER	DRAWN	APPROVED BY	APPROVED DATE	GENERAL TOLERANCE	DRAWING TYPE	FORMAT	COMPUTER BASED	PROJECTION METHOD	SCALE
DBR	DBR	DBR	150227	-	Circuit	A3	RSDesigner		-
 rimaster RIMASTER DEVELOPMENT AB				TITLE DIESEL ENGINE			CUSTOMER REF CRANAB SLAGKRAFT		
				DRAWING NO 5018435			REVISION 01		SHEET 2(6)

REVISION	TYPE OF REVISION / REVISION NOTE	APPROVED BY - DATE
00	3094	TKut-2015-01-12
01	3133	TKut-2015-02-19

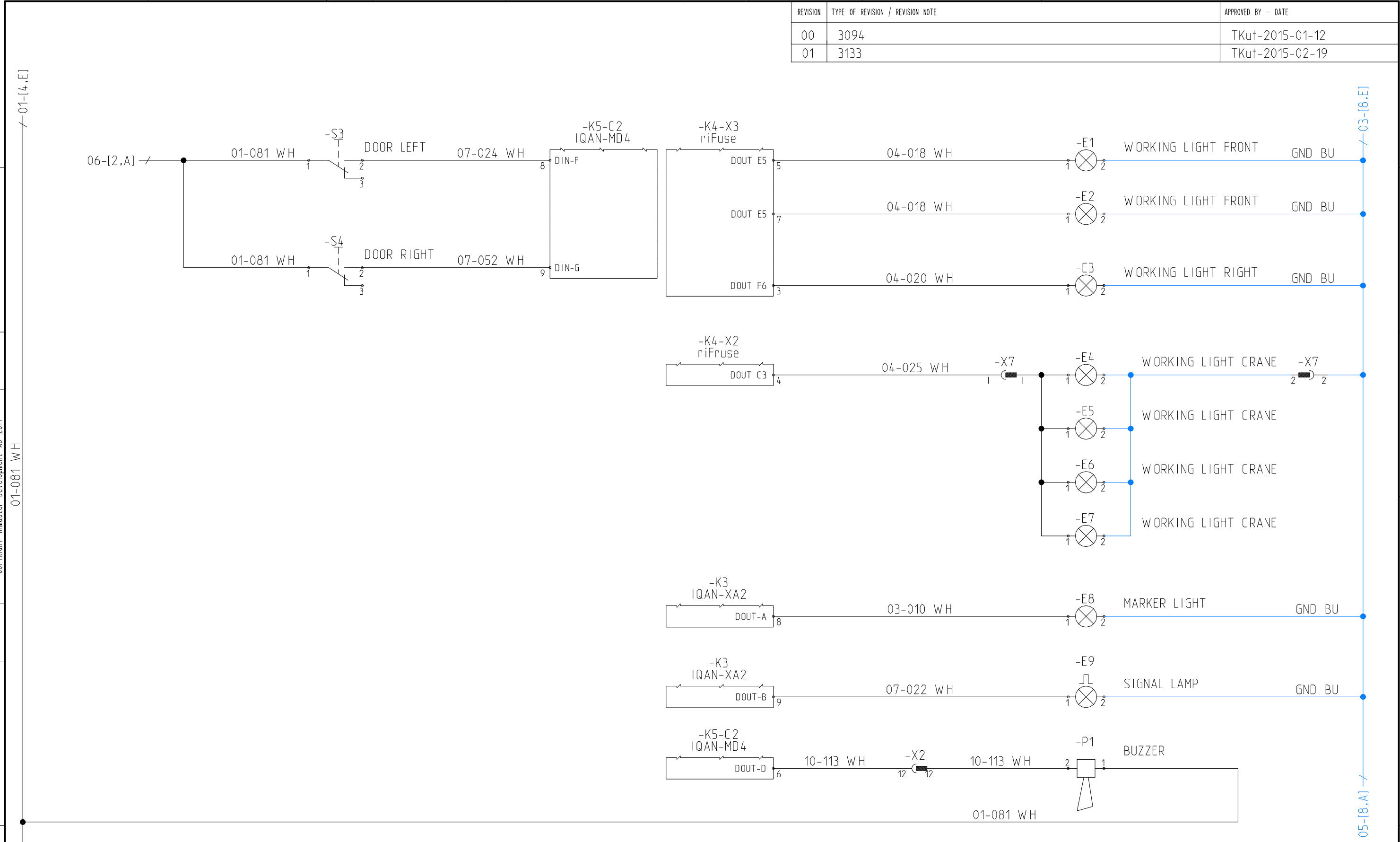


This document is the property of Rimaster Development AB and must not be used without Rimaster Development AB written approval. Infringement of copyright Rimaster Development AB 2011

Release Level Released (Intralink Ver. -)

DESIGNER	DRAWN	APPROVED BY	APPROVED DATE	GENERAL TOLERANCE	DRAWING TYPE	FORMAT	COMPUTER BASED	PROJECTION METHOD	SCALE
DBR	DBR	DBR	150227	-	Circuit	A3	RSDesigner	⊕	-
				TITLE DIESEL ENGINE					
				CUSTOMER CRANAB SLAGKRAFT			CUSTOMER REF CRAFT W 17		
DRAWING NO 5018435				REVISION 01		SHEET 3(6)			

REVISION	TYPE OF REVISION / REVISION NOTE	APPROVED BY - DATE
00	3094	TKut-2015-01-12
01	3133	TKut-2015-02-19

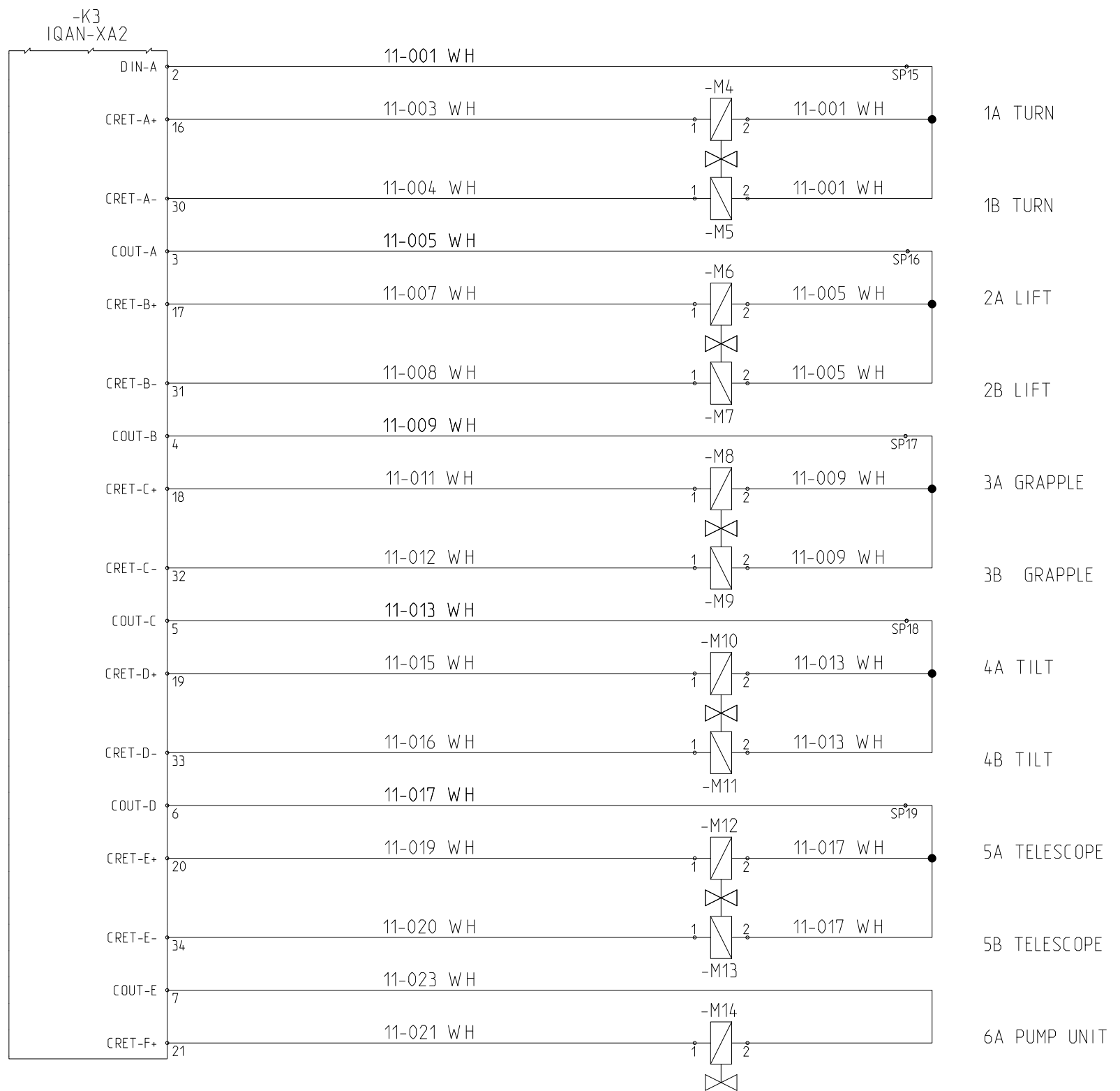


This document is the property of Rimaster Development AB and must not without Rimaster Development AB written approval be copied, reproduced, or be used for any other unauthorized purpose. COPYRIGHT Rimaster Development AB 2011

Release Level Prototype (Intralink Ver. -)

DESIGNER	DRAWN	APPROVED BY	APPROVED DATE	GENERAL TOLERANCE	DRAWING TYPE	FORMAT	COMPUTER BASED	PROJECTION METHOD	SCALE
DBR	DBR	DBR	150227	-	Circuit	A3	RSDesigner		-
				TITLE LIGHTS, DOOR SWITCHES					
				CUSTOMER CRANAB SLAGKRAFT			CUSTOMER REF CRAFT W 17		
				DRAWING NO 5018435			REVISION 01		

REVISION	TYPE OF REVISION / REVISION NOTE	APPROVED BY - DATE
00	3094	TKut-2015-01-12
01	3133	TKut-2015-02-19



04-[B.E] / GND BU / 06-[B.A]

This document is the property of Rimaster Development AB and must not be used for any other purpose without the written approval of Rimaster Development AB. COPYRIGHT Rimaster Development AB 2011

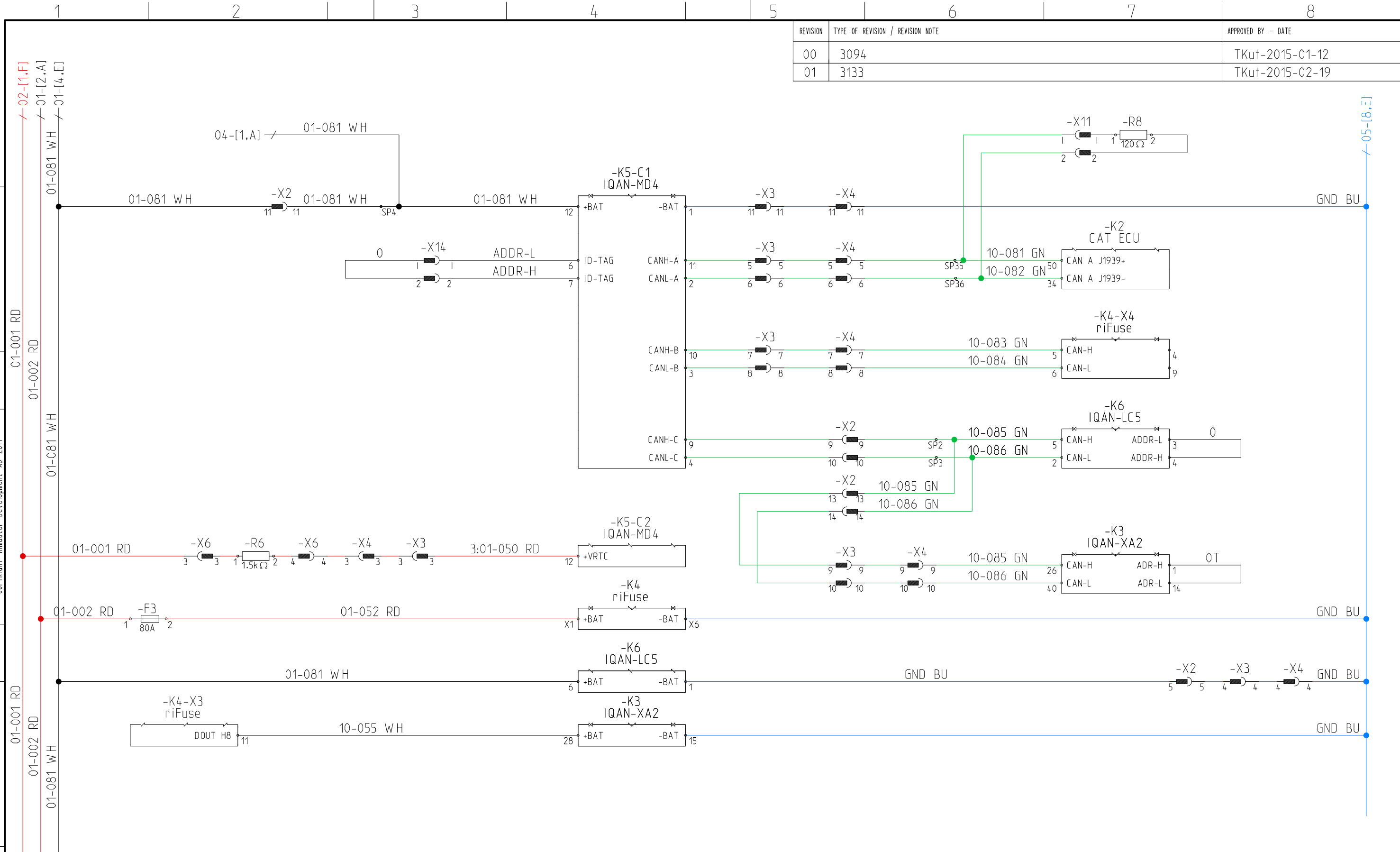
Release Level Prototype (Intralink Ver. -)

DESIGNER DBR	DRAWN DBR	APPROVED BY DBR	APPROVED DATE 150227	GENERAL TOLERANCE -	DRAWING TYPE Circuit	FORMAT A3	COMPUTER BASED RSDesigner	PROJECTION METHOD 	SCALE -
 RIMASTER DEVELOPMENT AB				TITLE WORKING HYDRAULICS					
				CUSTOMER CRANAB SLAGKRAFT				CUSTOMER REF CRAFT W 17	
				DRAWING NO 5018435				REVISION 01	

REVISION	TYPE OF REVISION / REVISION NOTE	APPROVED BY - DATE
00	3094	TKut-2015-01-12
01	3133	TKut-2015-02-19

This document is the property of Rimaster Development AB and must not be used without Rimaster Development AB written approval. It is not to be used for any other purpose. COPYRIGHT Rimaster Development AB 2011

Release Level Prototype (Intralink Ver. -)



DESIGNER	DRAWN	APPROVED BY	APPROVED DATE	GENERAL TOLERANCE	DRAWING TYPE	FORMAT	COMPUTER BASED	PROJECTION METHOD	SCALE
DBR	DBR	DBR	150227	-	Circuit	A3	RSDesigner		-
				TITLE CAN-BUS, J1939					
				CUSTOMER CRANAB SLAGKRAFT				CUSTOMER REF CRAFT W 17	
				DRAWING NO 5018435				REVISION 01	