

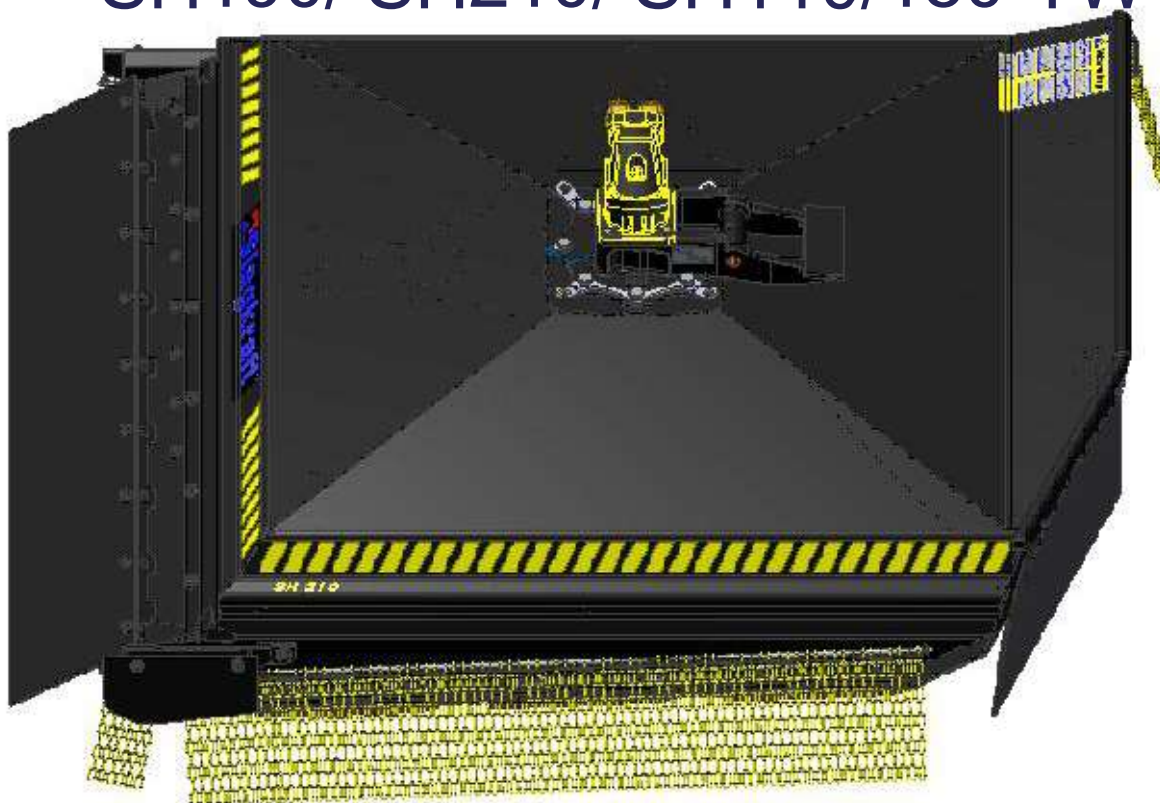


## Reservdelskatalog

Slaga: SH125/ SH150/ SH170  
SH190/ SH210/ SH110/150-TW

## Spare parts

Flail: SH125/ SH150/ SH170  
SH190/ SH210/ SH110/150-TW



✉ **Cranab AB, SE-922 82 VINDELN, SWEDEN** ☎ **+46-(0)933-617 36**

**Copyright** ©. Alla rättigheter förbehålles, inklusive rätten att reproducera denna bok, eller delar därav, i vilken form som helst, utan skriftligt medgivande från Cranab AB.

**Copyright** © All rights reserved, including the right to reproduce this manual, or parts thereof, in any form whatsoever without the written consent of Cranab AB.

**VARNINGSDEKALER  
DECALS "WARNING"**

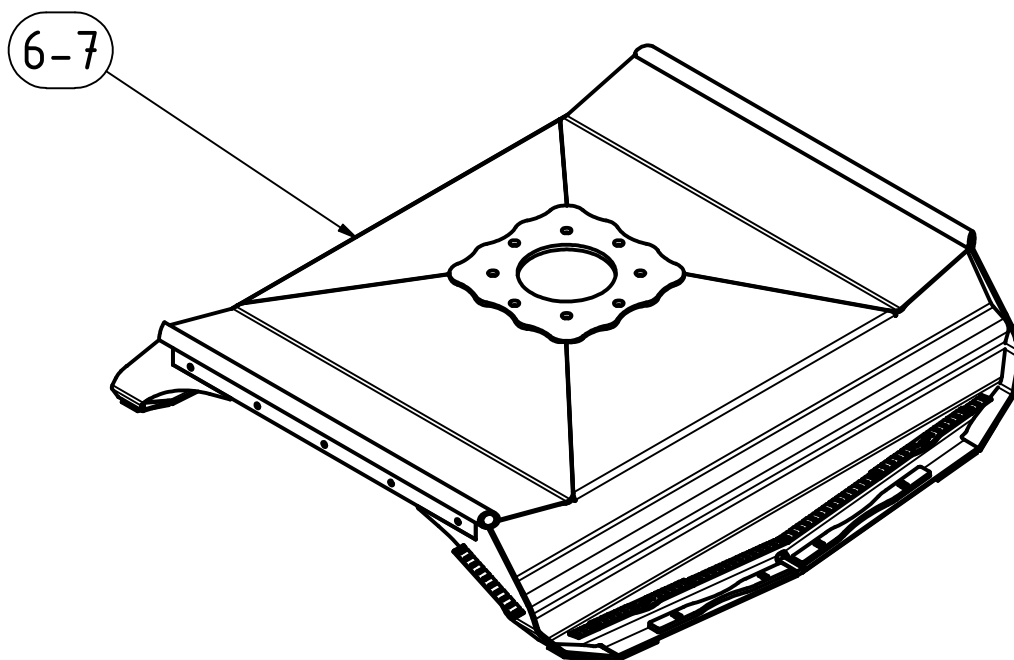
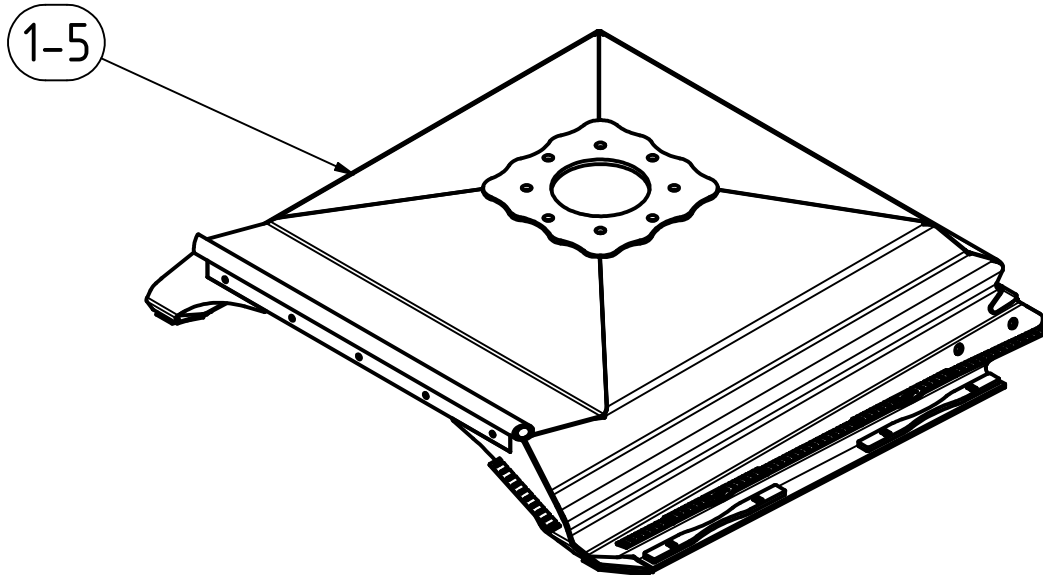
Sida / Page: 1 (1)



|         |         |                          |                            |                  |
|---------|---------|--------------------------|----------------------------|------------------|
| 1       | 1       | Varningsdekal för Europa | Decal "Warning" for Europe | 5013889          |
| 1       | 1       | Varningsdekal för USA    | Decal "Warning" for USA    | 5014428          |
| Pos Fig | Ant Qty | Benämning                | Description                | Art. nr Part. nr |

## KÅPA HOOD

Sida / Page: 1 (1)



|            |            |               |               |                     |
|------------|------------|---------------|---------------|---------------------|
| 1          |            | KÅPA SH125    | HOOD SH125    | 5017801             |
| 2          |            | KÅPA SH150    | HOOD SH150    | 5017151             |
| 3          |            | KÅPA SH170    | HOOD SH170    | 5017771             |
| 4          |            | KÅPA SH190    | HOOD SH190    | 5017791             |
| 5          |            | KÅPA SH210    | HOOD SH210    | 5017211             |
| 6          |            | KÅPA SH150-TW | HOOD SH150-TW | 5017760             |
| 7          |            | KÅPA SH110-TW | HOOD SH110-TW | 5017885             |
| Pos<br>Fig | Ant<br>Qty | Benämning     | Description   | Art. nr<br>Part. nr |

# SKYDD SH125 PROTECTION SH125

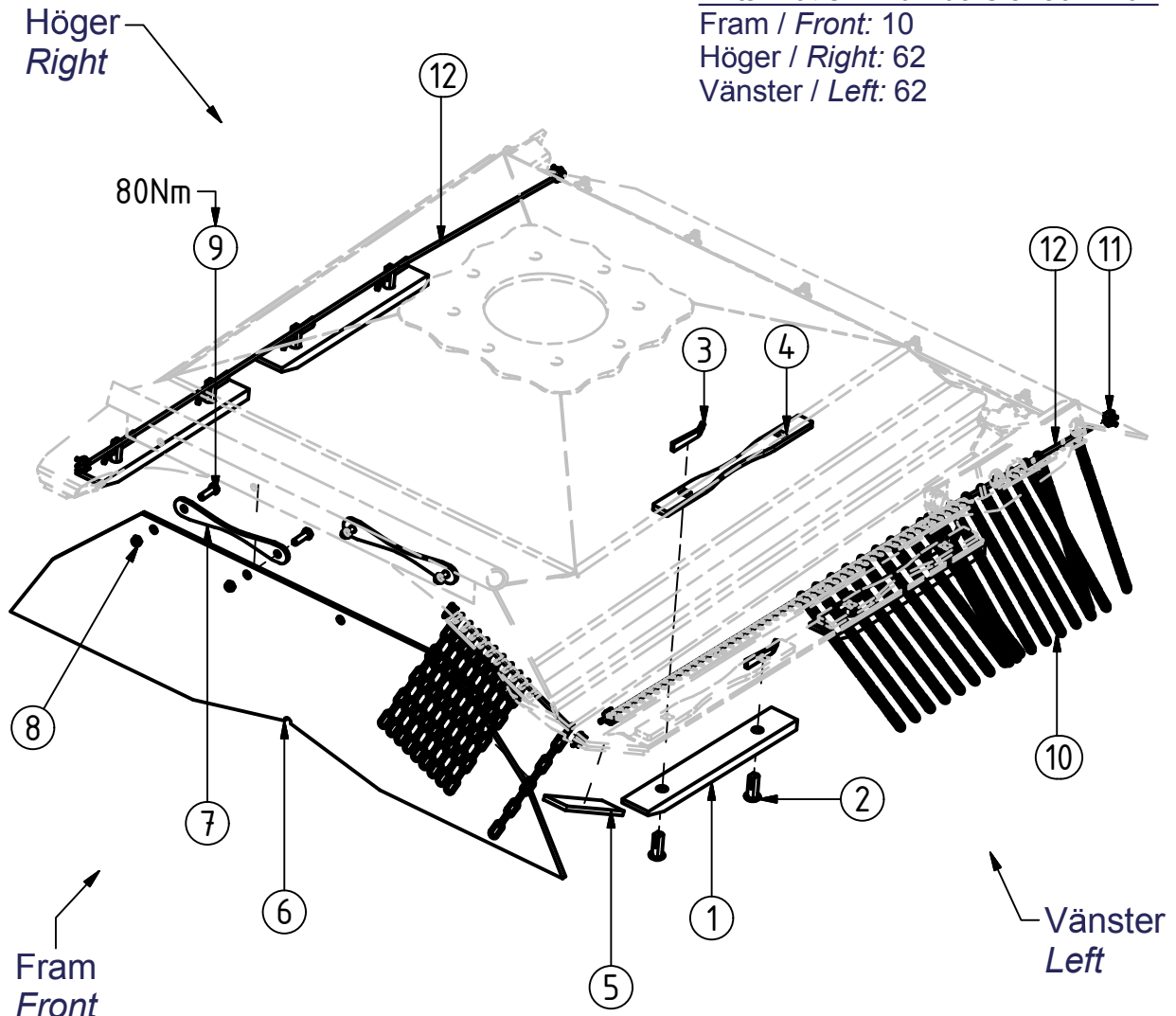
Sida / Page: 1 (1)

Antal ridåer / Numbers of 5017104

Fram / Front: 10

Höger / Right: 62

Vänster / Left: 62

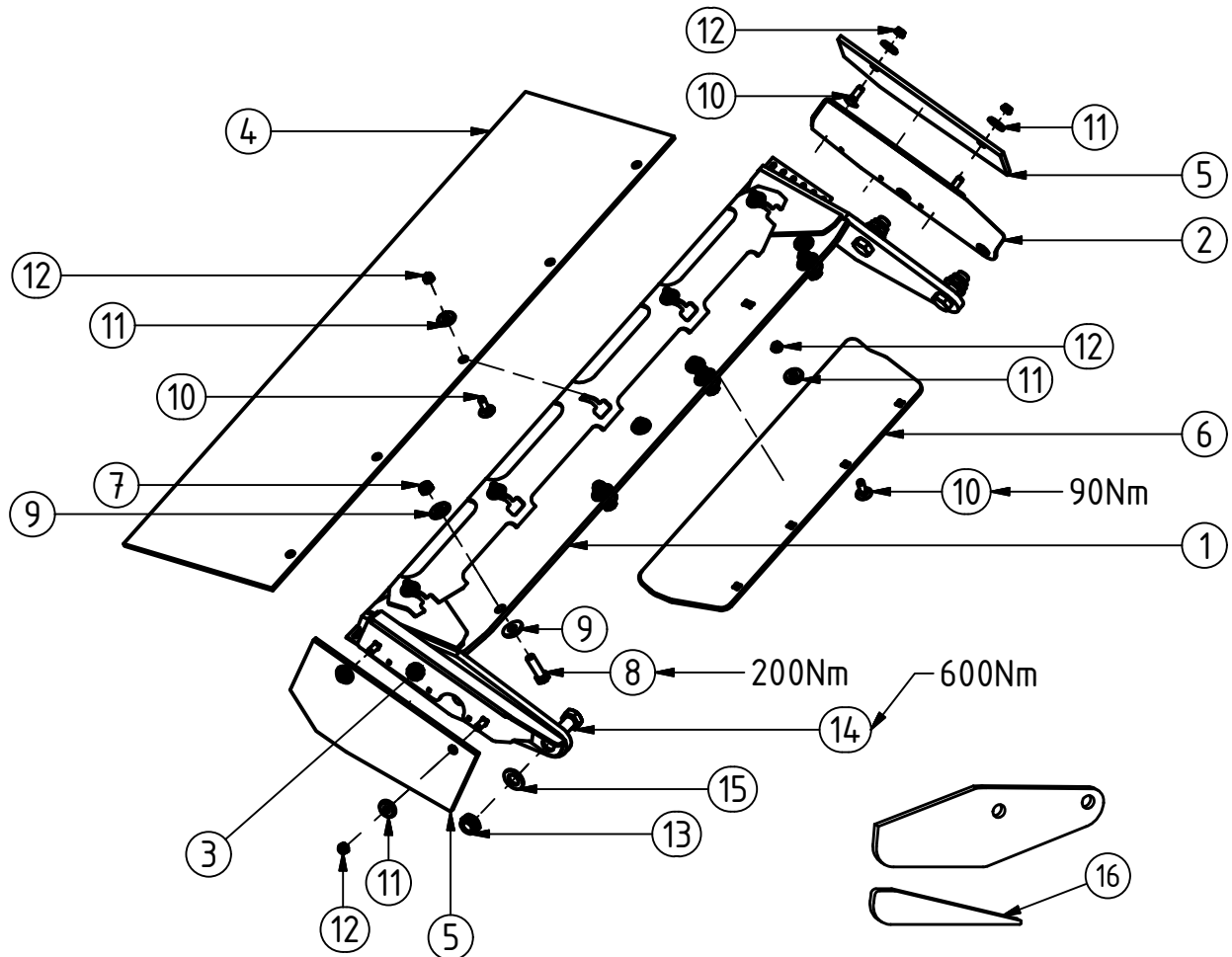


|            |            |                        |                    |                     |
|------------|------------|------------------------|--------------------|---------------------|
| 1          | 4          | SLITSTÅL               | WEAR PLATE         | 5012465             |
| 2          | 8          | KILBULT 53             | BOLT               | 1046242             |
| 3          | 8          | KIL                    | WEDGE              | 1046260             |
| 4          | 1          | DISTANSPLÅT            | SPACER             | 5015016             |
| 5          | 1          | FRÄMRE SLITSTÅL        | WEAR PLATE         | 5014123             |
| 6          | 1          | SKYDDSGUMMIMATTA SH125 | RUBBER COVER SH125 | 5012569             |
| 7          | 2          | FÄSTBLECK LÅNG         | HOLDER LONG        | 5012567             |
| 8          | 4          | MUTTER LÅSML 8 M12 FZB | LOCK NUT LOW M12   | 1049121             |
| 9          | 4          | SKR M6S 88 M12x40 FZB  | SCREW M6S M12x40   | 1038918             |
| 10         | 134        | RIDÅKÄTTING            | CHAIN CURTAIN      | 5017104             |
| 11         | 6          | VIRELÅS                | WIRE LOCK          | 1042632             |
| 12         | 2          | STÅLLINA (3.7 meter)   | WIRE (3.7 meter)   | 1042627             |
| Pos<br>Fig | Ant<br>Qty | Benämning              |                    | Art. nr<br>Part. nr |
|            |            | Description            |                    |                     |

# BAKDEL SH125

## REAR PART SH125

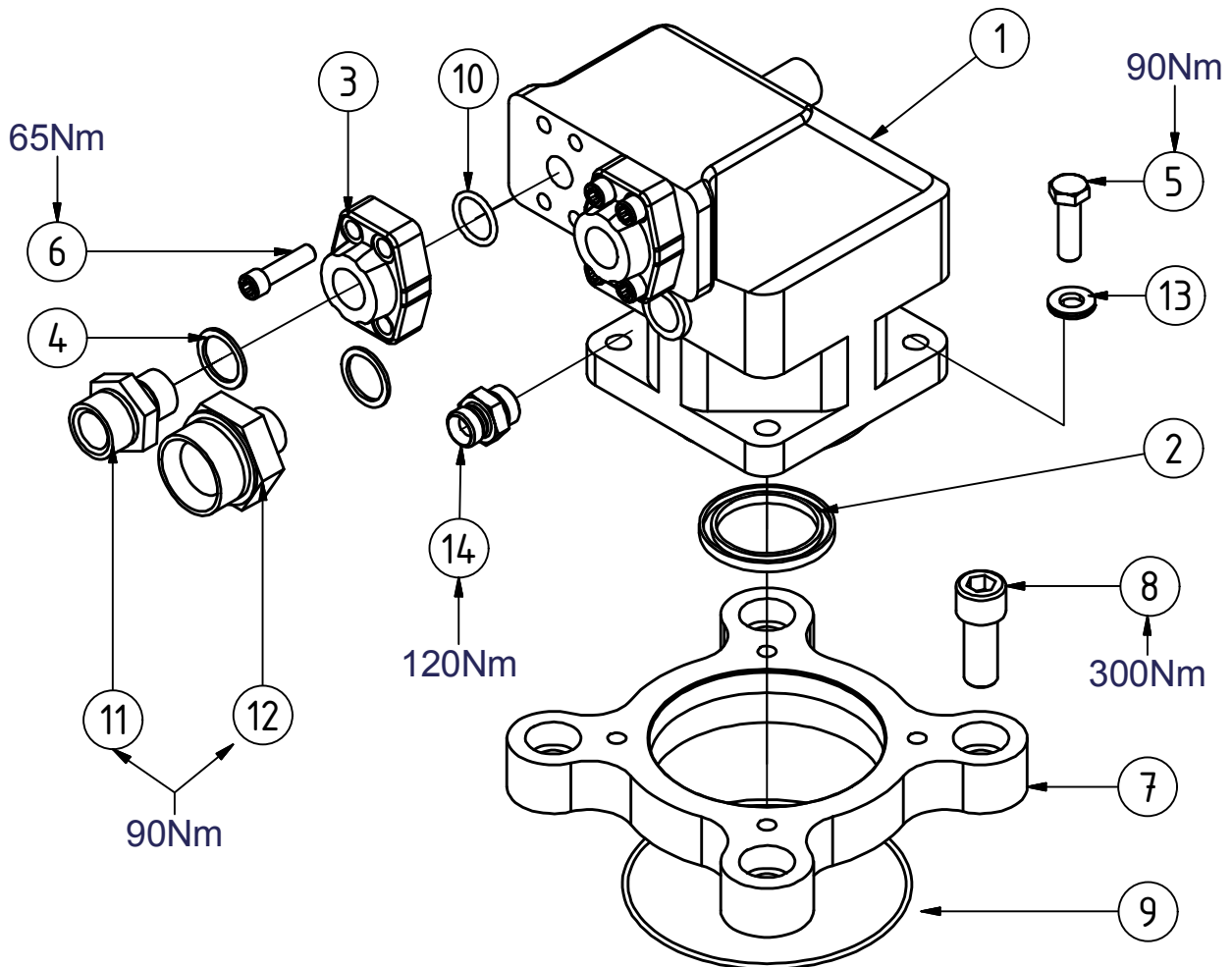
Sida / Page: 1 (1)



|         |         |                         |                       |                  |
|---------|---------|-------------------------|-----------------------|------------------|
| 1       | 1       | BAKPLÅT SH125           | REAR WEAR PLATE SH125 | 5017389          |
| 2       | 1       | FÄSTE VÄNSTER           | BRACKET LEFT          | 5017359          |
| 3       | 1       | FÄSTE HÖGER             | BRACKET RIGHT         | 5017364          |
| 4       | 1       | BAKRE GUMMIMATTA SH125  | REAR PROTECTION SH125 | 5017391          |
| 5       | 2       | STÄNSKYDD               | SPLASH GUARD          | 5017357          |
| 6       | 1       | SLITSEGMENT             | WEAR PLATE            | 5017624          |
| 7       | 4       | MUTTER LÅSML 10 M16 FZB | LOCK NUT LOW M16      | 1039116          |
| 8       | 4       | SKR M6S 88 M16x50 FZB   | SCREW M6S M16x50      | 1038555          |
| 9       | 8       | BR TBR SB 17x42x8 FZB   | WASHER TBR SB         | 1040853          |
| 10      | 13      | SKR MVBF 88 M12x35 FZB  | SCREW MVBF M12x35     | 4700674          |
| 11      | 13      | BR TBR SB 13,5x36x6 FZB | WASHER TBR SB         | 1041235          |
| 12      | 13      | MUTTER LÅSML 8 M12 FZB  | LOCK NUT LOW M12      | 1049121          |
| 13      | 4       | MUTTER LÅSML 8 M24 FZB  | LOCK NUT LOW M24      | 1060366          |
| 14      | 4       | SKR M6S 88 M24x65 FZB   | SCREW M6S M24x65      | 5017828          |
| 15      | 4       | BR BRB 25X45X4 FZB      | WASHER BRB            | 1060475          |
| 16      |         | KIL/ SLITPLÅT           | WEDGE/ WEARPLATE      | 5012507          |
| Pos Fig | Ant Qty | Benämning               | Description           | Art. nr Part. nr |

## HYDRAULMOTOR KPL. F12-60

## HYDRAULIC MOTOR SET F12-60

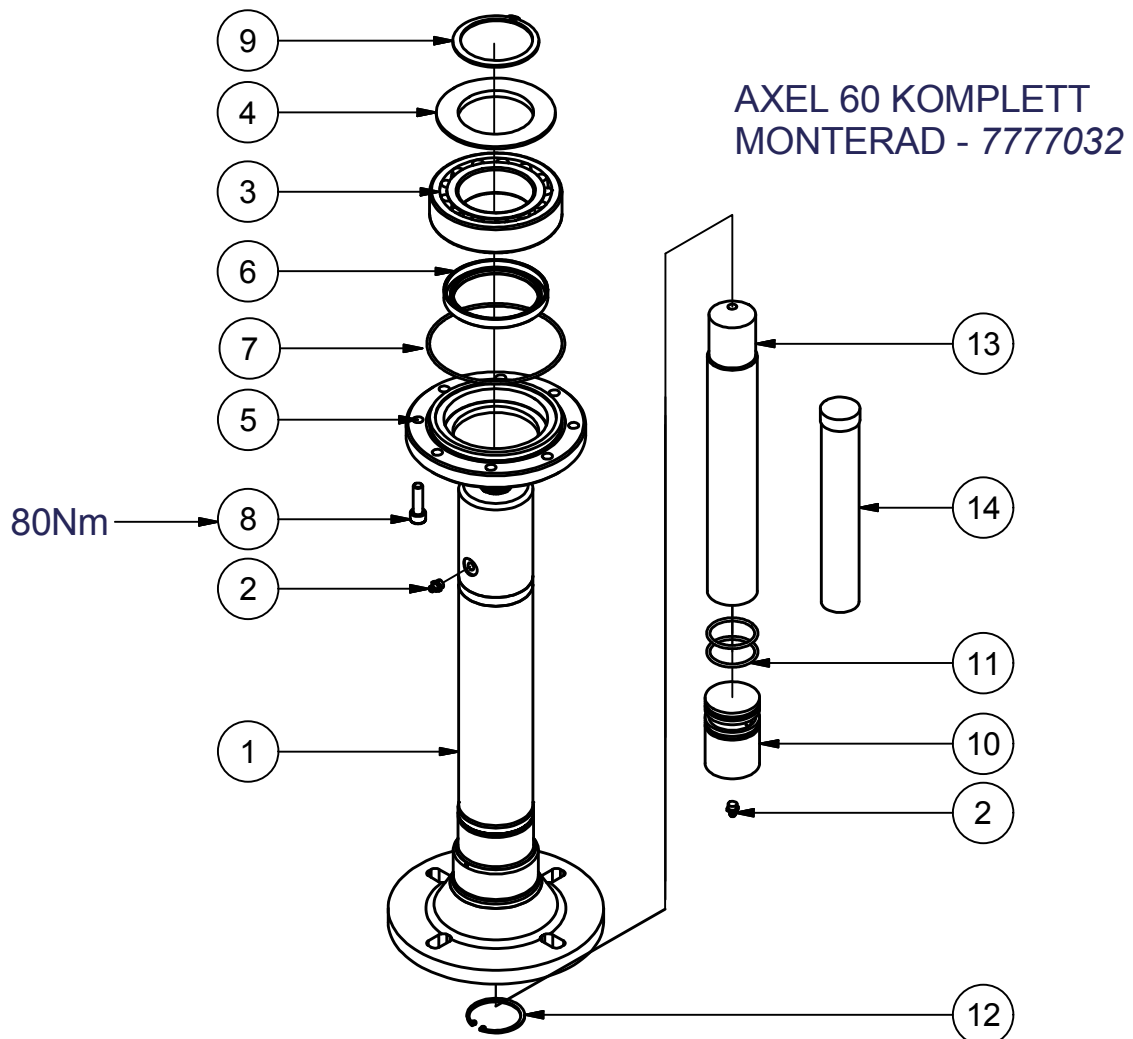


|         |         |                        |                  |                       |                  |
|---------|---------|------------------------|------------------|-----------------------|------------------|
| 1       | 1       | HYDRAULMOTOR           | HYDRAULIC MOTOR  | F12-60                | 1049618          |
| 2       | 1       | AXELTÄTNING            | SHAFT SEAL       | F12-060/40            | 1038561          |
| 3       | 2       | SAE FLÄNS 3/4" 6000psi | SAE FLANGE 3/4"  | G3/4"                 | 1049774          |
| 4       | 2       | BRICKA                 | TREDO SEAL       | GSTB 3/4              | 1060477          |
| 5       | 4       | SKRUV                  | SCREW            | M6S 8.8 M12x40        | 1038918          |
| 6       | 8       | SKRUV                  | SCREW            | UC6S 12.9 UNC 3/8-1,5 | 1038090          |
| 7       | 1       | DISTANSPLATTA          | SPACER PLATE     | S355J2G3              | 5012399          |
| 8       | 4       | SKRUV                  | SCREW            | MC6S 12.9 M18x45      | 1046481          |
| 9       | 1       | O-RING                 | O-RING           | 153x3                 | 1001593          |
| 10      | 2       | O-RING                 | O-RING           | 24,99x3,53            | 1049782          |
| 11      | 1       | ADAPTER                | ADAPTER          | 3/4"G-1"G             | 1038009          |
| 12      | 1       | ADAPTER                | ADAPTER          | 3/4"G-1.1/2"G         | 1038165          |
| 13      | 4       | BRICKA                 | NORD-LOCK WASHER | NL 13,5x25x3,4        | 1046440          |
| 14      | 1       | ADAPTER                | ADAPTER          | 7/8"U-1/2"G           | 4710050          |
| Pos Fig | Ant Qty | Benämning              | Description      | Dimension             | Art. nr Part. nr |



## DRIVAXEL SAE-C SHAFT SAE-C

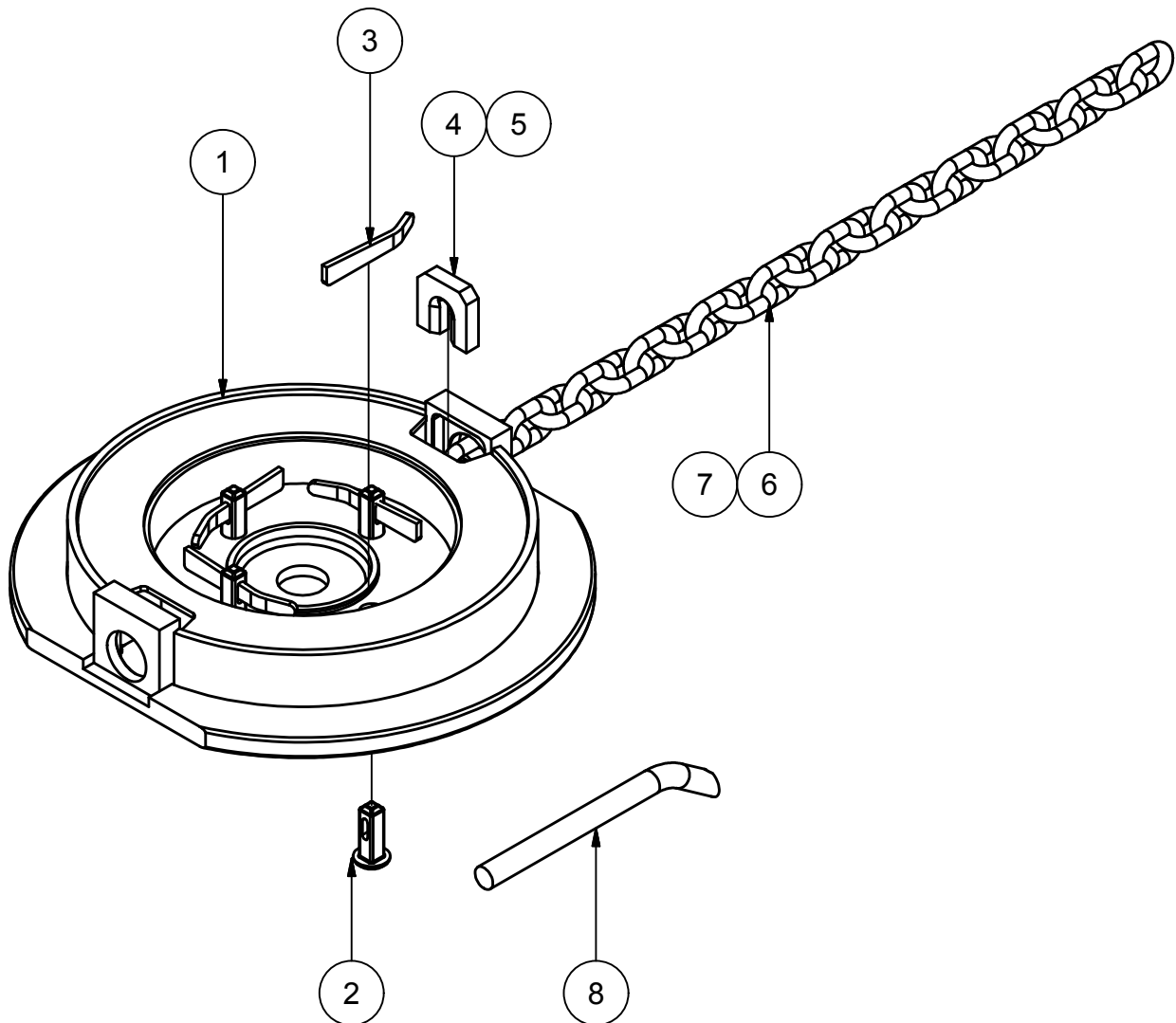
Sida / Page: 1 (1)



|            |            |                          |                    |                     |
|------------|------------|--------------------------|--------------------|---------------------|
| 1          | 1          | DRIVAXEL SAE-C           | DRIVE SHAFT SAE-C  | 5017762             |
| 2          | 2          | SMÖRJNIPPEL AHKR 1/8     | LUBRICATING NIPPLE | 1060360             |
| 3          | 1          | LAGER 22216 E            | BEARING            | 1014026             |
| 4          | 1          | STÖDRING Ø126            | SUPPORT Ø126       | 5012127             |
| 5          | 1          | LAGERBRICKA              | COVER              | 5012002             |
| 6          | 1          | RADIALTÄTNING Ø110x90    | SEAL               | 1013978             |
| 7          | 1          | O-RING 139,5x3           | O-RING 139,5x3     | 1014000             |
| 8          | 8          | SKR MC6S 12.9 M10x35 OBH | SCREW MC6S M10x35  | 1013994             |
| 9          | 1          | SPÅRRING SGA 80x2,5      | RETAINING RING SGA | 1060476             |
| 10         | 1          | PLUGG Ø57,8              | PLUG Ø57,8         | 5012056             |
| 11         | 2          | O-RING 47,22x3,53        | O-RING 47,22x3,53  | 1038249             |
| 12         | 1          | SPÅRRING SGH 58x2        | RETAINER RING      | 1005966             |
| 13         | 1          | PROPP Ø53                | SPACER Ø53         | 5017128             |
| 14         | 1          | FETTPATRON               | GREASE             | 1046036             |
| Pos<br>Fig | Ant<br>Qty | Benämning                | Description        | Art. nr<br>Part. nr |

# KÄTTINGMAGASIN KPL. CHAIN MAGAZINE SET

Sida / Page: 1 (1)

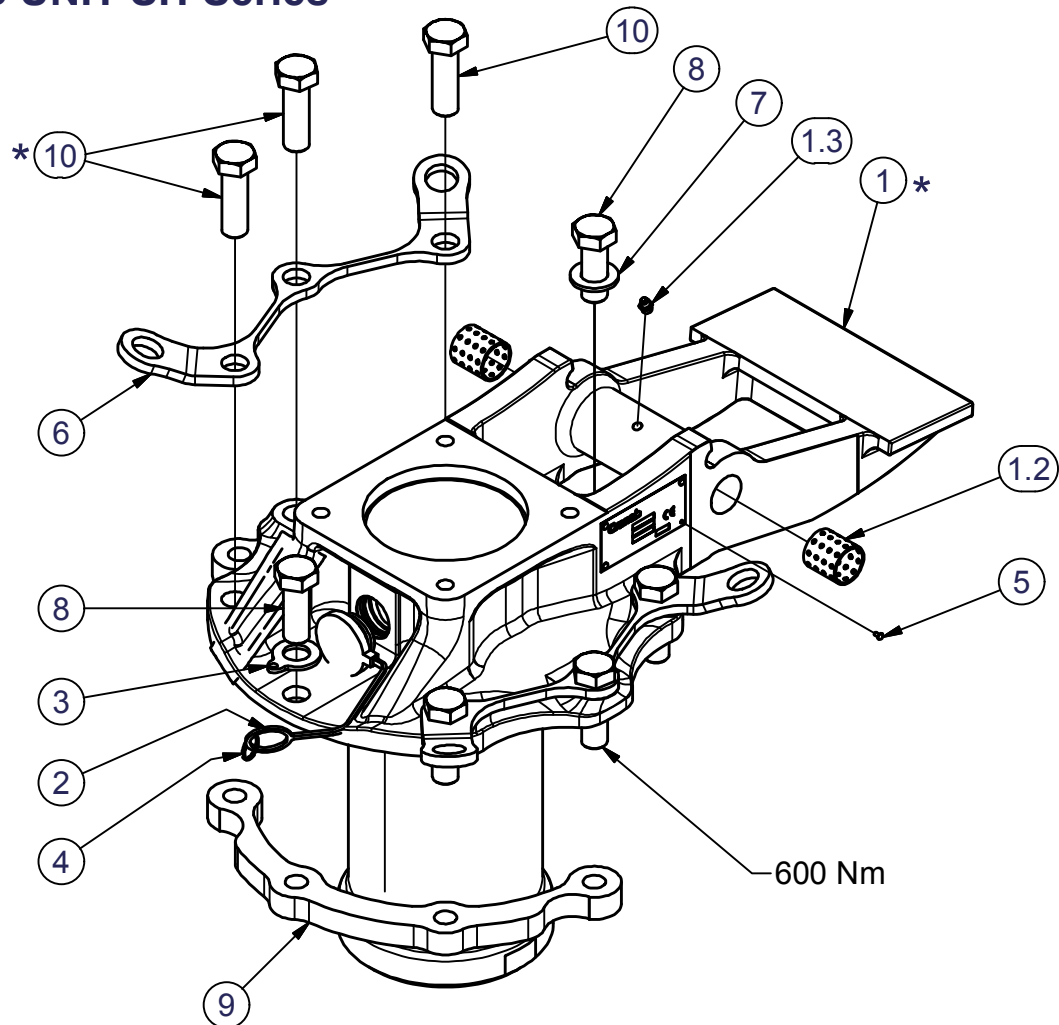


|            |            |                             |                           |                     |
|------------|------------|-----------------------------|---------------------------|---------------------|
| 1          | 1          | KÄTTINGMAGASIN (balanserat) | CHAIN MAGAZINE (balanced) | 5017091             |
| 2          | 4          | KILBULT 53                  | BOLT                      | 1046242             |
| 3          | 4          | KIL                         | WEDGE                     | 1046259             |
| 4          | 2          | KÄTTINGLÅS 10mm             | CHAIN LOCK 10mm           | 5012417             |
| 5          | 2          | KÄTTINGLÅS 13mm             | CHAIN LOCK 13mm           | 5012414             |
| 6          | 1          | SLAGKÄTTING 10mm            | CHAIN 10mm                | 5013425             |
| 7          | 1          | SLAGKÄTTING 13mm            | CHAIN 13mm                | 5013426             |
| 8          | 1          | DRIVDON                     | TOOL                      | 5012411             |
| Pos<br>Fig | Ant<br>Qty | Benämning                   | Description               | Art. nr<br>Part. nr |



**NAV KPL. SH-Serien**

**HUB UNIT SH-Series**



\* *Nytt nav gäller för år 2014 (Från slaga nummer 2180)*

\* *New hub unit valid for 2014 (From Flail number 2180)*

|   |         |         |                  |                      |                |                  |
|---|---------|---------|------------------|----------------------|----------------|------------------|
| * | 1       | 1       | NAV SLAGA SH     | HUB UNIT             |                | 5017899          |
|   | 1.2     | 2       | BUSSNING         | BUSHING              | 39x35x40       | 1003177          |
|   | 1.3     | 1       | SMÖRJNIPPEL      | LUBRICATE NIPPLE     | AHKR 1/8       | 1060360          |
|   | 2       | 1       | SKYDDSPROPP      | COVER                |                | 1049261          |
|   | 3       | 1       | BR NYCKELRING SH | WASHER - KEY RING SH | S600MC         | 5017821          |
|   | 4       | 1       | NYCKELRING       | KEY RING             |                | 1041996          |
|   | 5       | 4       | NIT              | RIVET                |                | 1039155          |
|   | 6       | 2       | LYFTÖGLA SH      | LIFTING EYE          | S690QL         | 5017824          |
|   | 7       | 1       | BRICKA           | WASHER               | BRB 25x45x4    | 1060475          |
|   | 8       | 2       | SKRUV            | SCREW                | M6S 8.8 M24x65 | 5017828          |
|   | 9       | 2       | GÄNGRINGSHALVA   | CLAMP                | 355MCD         | 5017108          |
| * | 10      | 6       | SKRUV            | SCREW                | M6S 8.8 M24x75 | 1061369          |
|   | Pos Fig | Ant Qty | Benämning        | Description          | Dimension      | Art. nr Part. nr |



**Cranab AB  
SE-922 82 VINDELN  
SWEDEN**



**+46-(0)933-135 00**



**+46-(0)933-617 36**

**[www.slagkraft.com](http://www.slagkraft.com)  
[www.cranab.com](http://www.cranab.com)**