

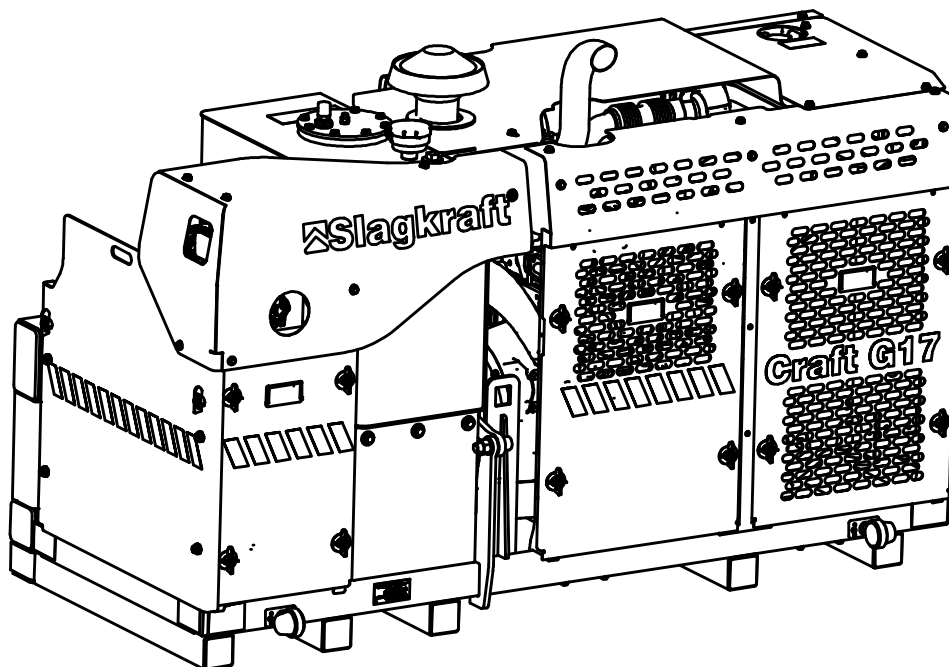


# Reservdelskatalog

## CRAFT G17

# Spare parts

## CRAFT G17



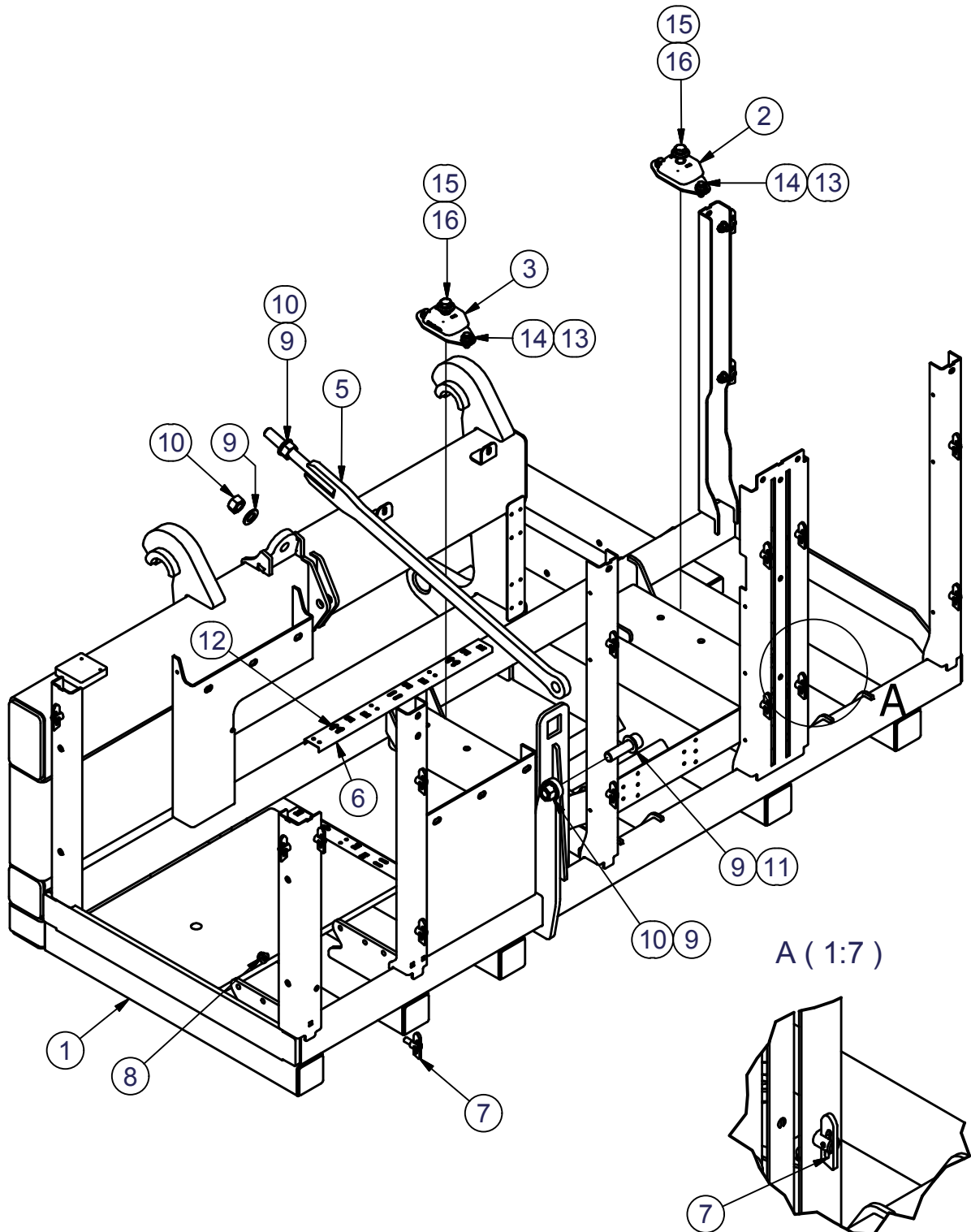
✉ **Cranab AB, SE-922 82 VINDELN, SWEDEN** ☎ **+46-(0)933-617 36**

**Copyright** ©. Alla rättigheter förbehålles, inklusive rätten att reproducera denna bok, eller delar därav, i vilken form som helst, utan skriftligt medgivande från Cranab AB.

**Copyright** © All rights reserved, including the right to reproduce this manual, or parts thereof, in any form whatsoever without the written consent of Cranab AB.

## MOTORRAM KPL.

## ENGINE FRAME



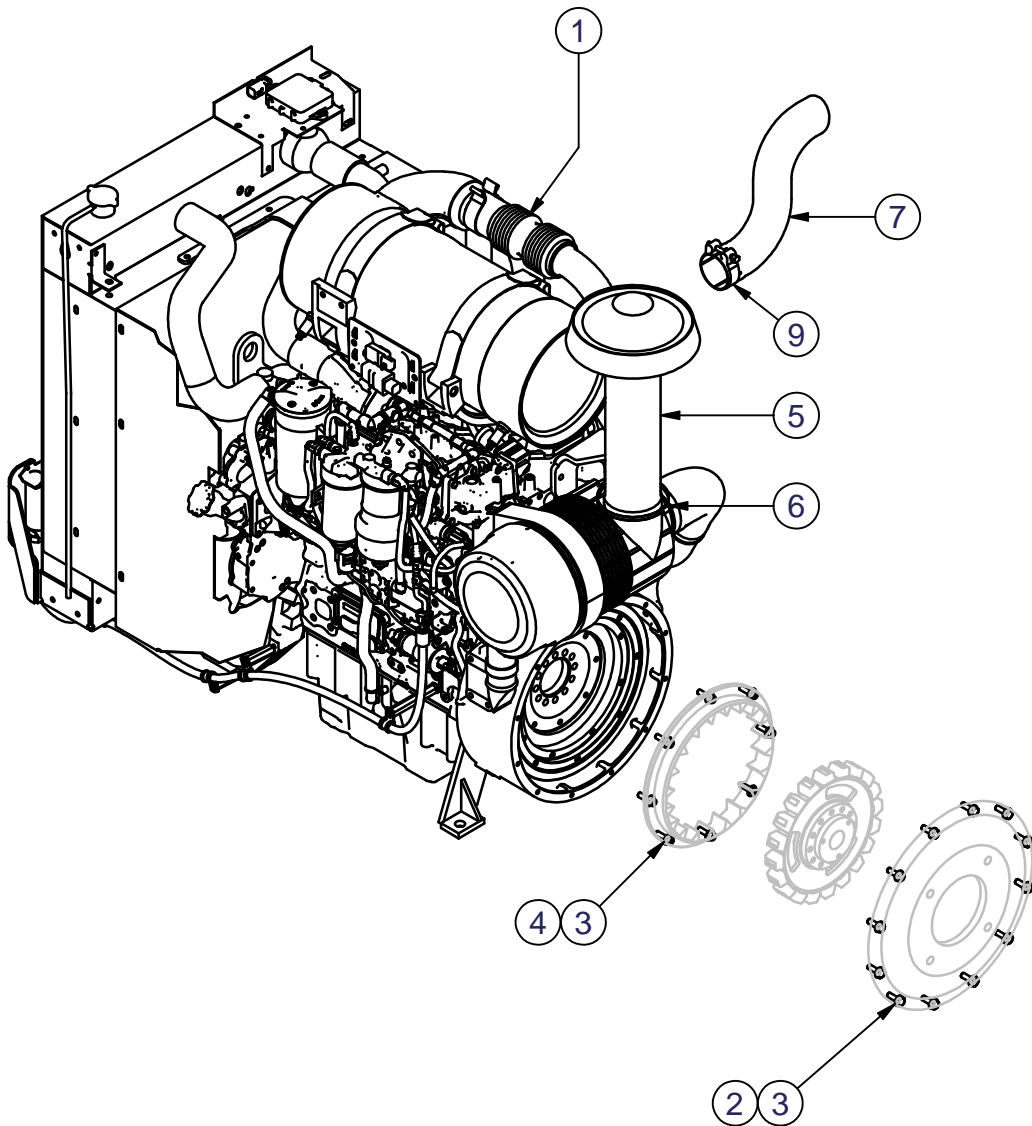
Pos Fig	Ant Qty	Benämning	Description	Dimension	Art. nr Part. nr
---------	---------	-----------	-------------	-----------	------------------

**MOTORRAM KPL.****ENGINE FRAME**

1	1	MOTORRAM	ENGINE FRAME		5018604
7	16	SPÄRRTAPP	LOCK PIN		5018228
6	2	MONTERINGSPROFIL	PROFILE	50x14x600	5018405
12	8	SKRUV	SCREW	MF6S 8.8 M6x12	1043186
8	16	MUTTER	LOCK NUT	LÄSMF 8 M12	1060769
3	2	MOTORKUDDE	ENGINE PAD	65 shore	5018216
2	2	MOTORKUDDE	ENGINE PAD	55 shore	5018215
13	8	BRICKA	NORD-LOCK WASHER	NL 13,5x25x3,4	1046440
15	4	BRICKA	WASHER	TBR SB 17x42x8	1040853
5	1	STRÄV	STAY		5018284
9	4	BRICKA	WASHER	SBRB 25x44x4	1060368
10	3	MUTTER	NUT	M6M 8 M24	1046531
11	1	SKRUV	SCREW	MC6S 12.9 M24x80	1043181
14	8	SKRUV	SCREW	M6SF 8.8 M12x25	1060442
16	4	SKRUV	SCREW	M6S 8.8 M16x60	76-955368
Pos Fig	Ant Qty	Benämning	Description	Dimension	Art. nr Part. nr

**DIESELMOTOR KPL.**

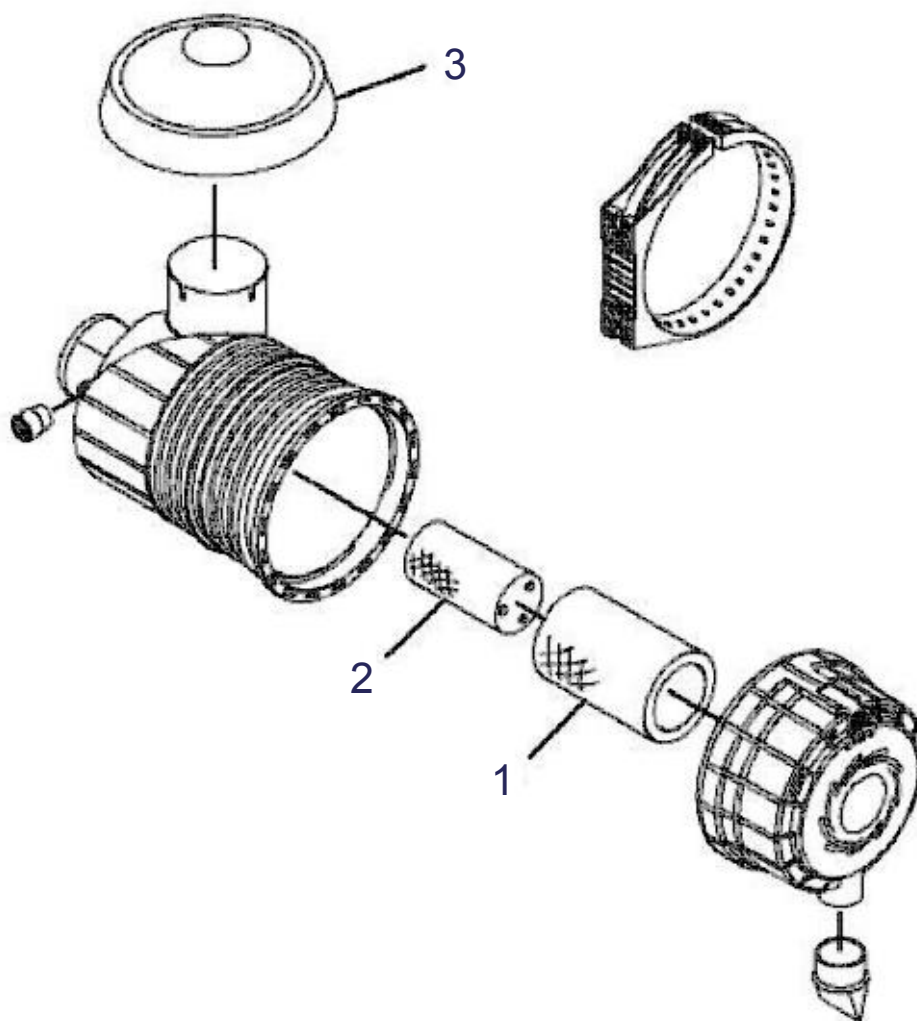
**DIESEL ENGINE**



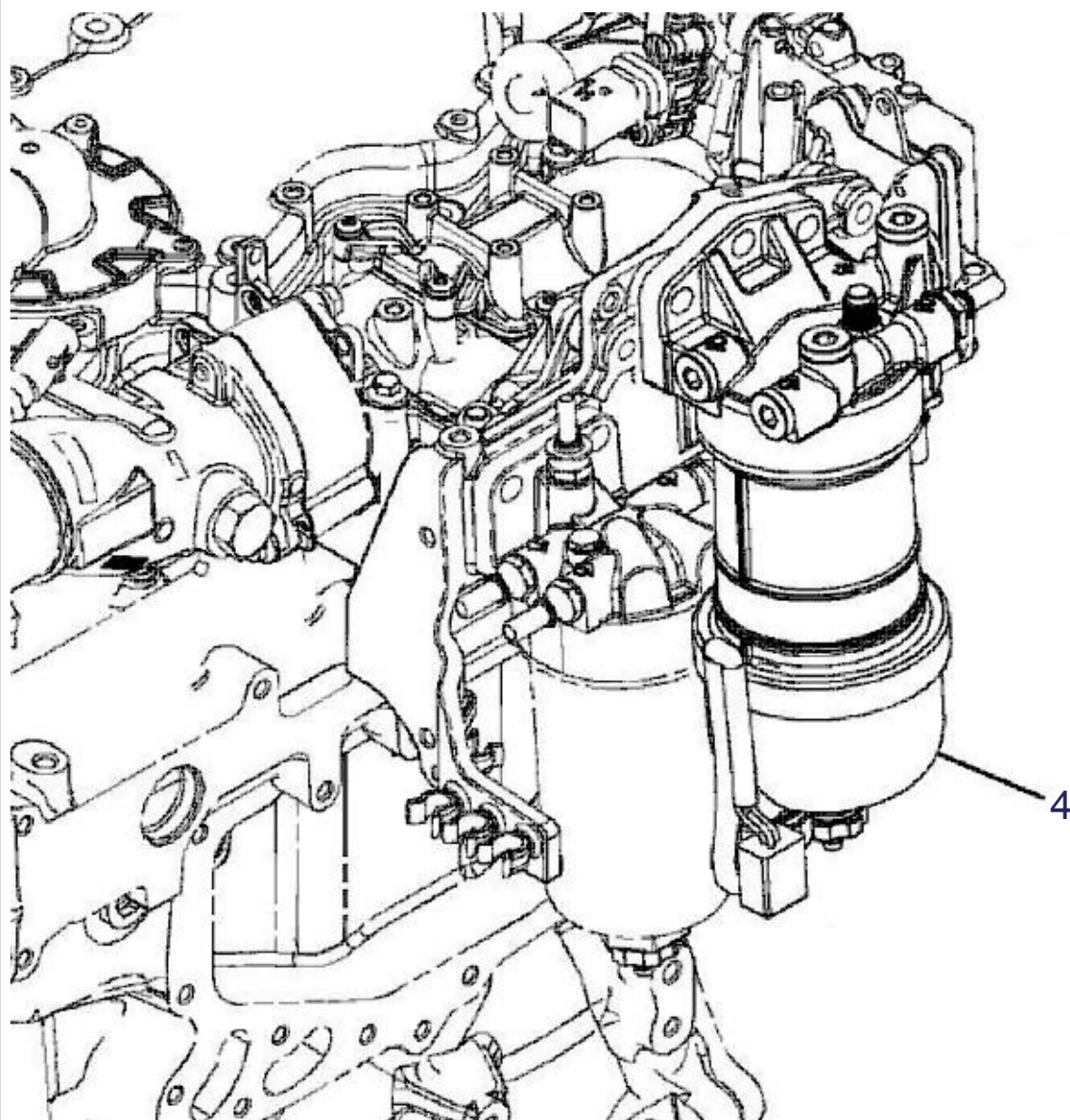
Pos Fig	Ant Qty	Benämning	Description	Dimension	Art. nr Part. nr
------------	------------	-----------	-------------	-----------	---------------------

**DIESELMOTOR KPL.****DIESEL ENGINE**

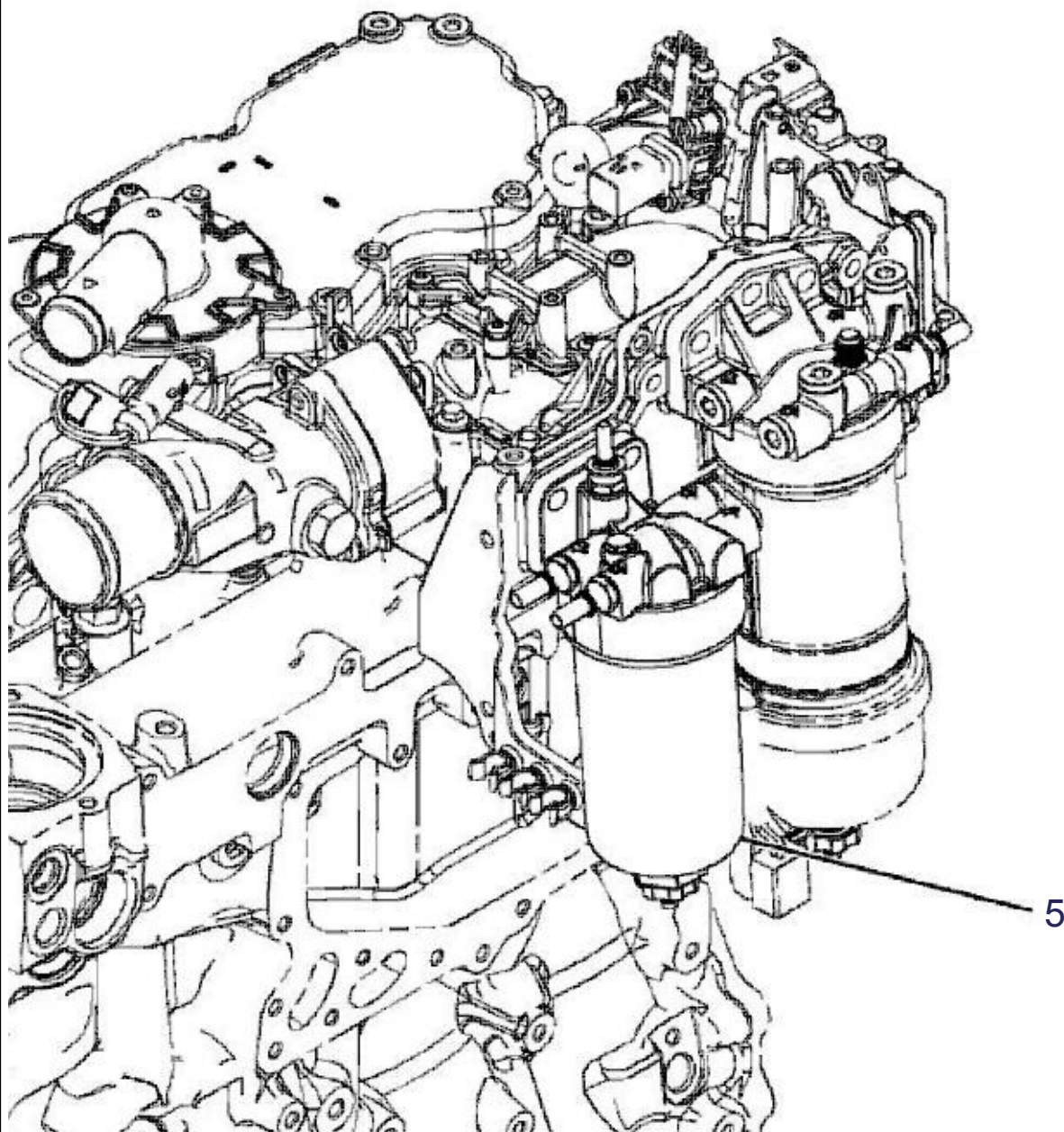
1	1	DIESELMOTOR CAT	ENGINE		5018199
2	12	SKRUV	SCREW	M6S 8.8 M10x30	1060705
3	20	BRICKA	WASHER	BRB 11x22x2	1043116
4	8	SKRUV	SCREW	UC6S12.9 UNF3/8-1.25	5018373
5	1	FÖRLÄNGARE	EXTENDER		5018274
6	1	SLANGKLAMMER	CLAMP	ABA 110-136	1060945
7	1	AVGASRÖR	EXHAUST PIPE		5018658
9	1	KLAMMER	CLAMP	73-79MM	5018354
*	20	GLYKOL	GLYCOL		F03315
*	10	OLJA	OIL	DEO 15W-40	F03310
Pos Fig	Ant Qty	Benämning	Description	Dimension	Art. nr Part. nr

**DIESELMOTOR CAT****ENGINE**

Pos Fig	Ant Qty	Benämning	Description	Dimension	Art. nr Part. nr
------------	------------	-----------	-------------	-----------	---------------------

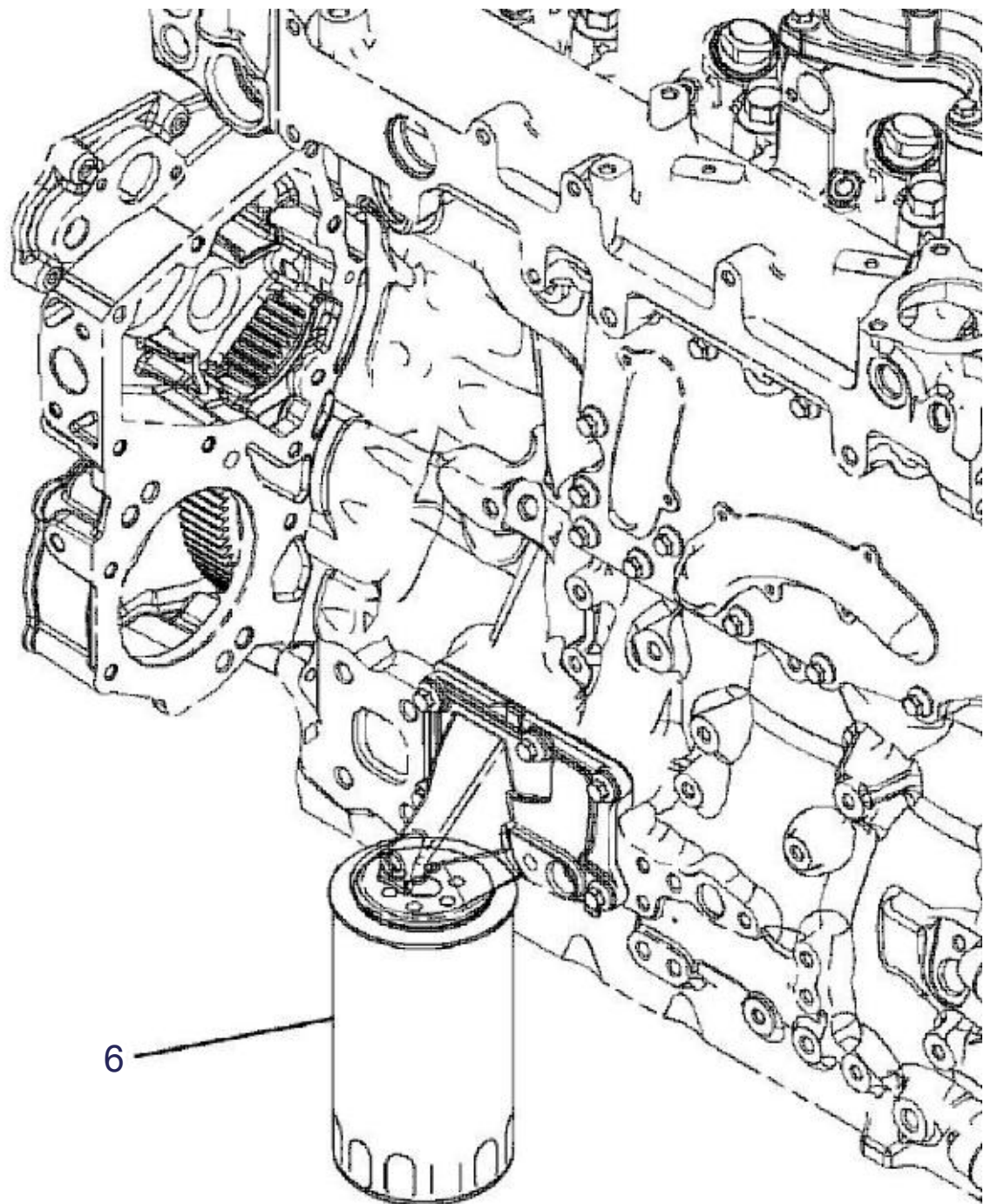
**DIESELMOTOR CAT****ENGINE**

Pos Fig	Ant Qty	Benämning	Description	Dimension	Art. nr Part. nr
------------	------------	-----------	-------------	-----------	---------------------

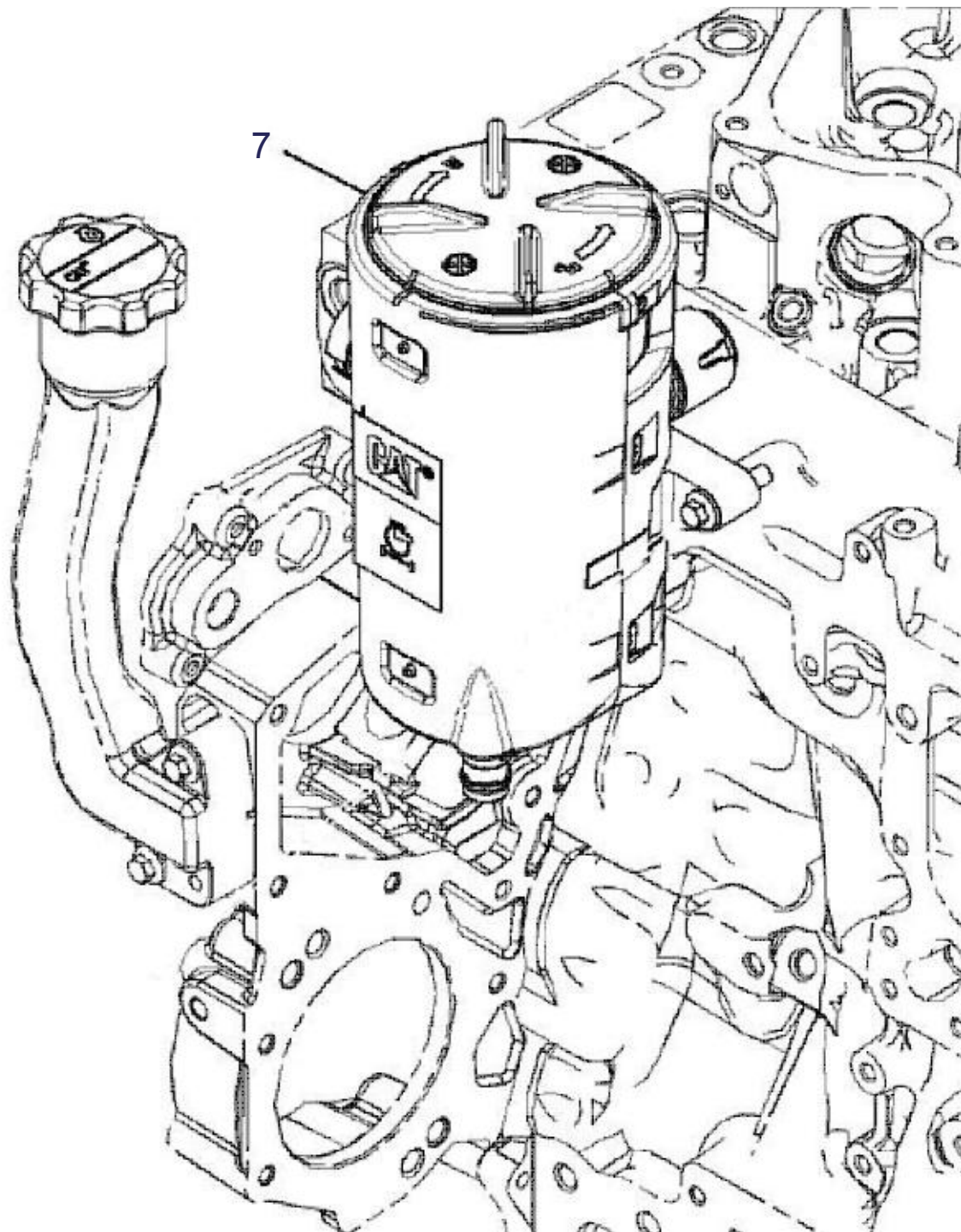
**DIESELMOTOR CAT****ENGINE**

Pos Fig	Ant Qty	Benämning	Description	Dimension	Art. nr Part. nr
------------	------------	-----------	-------------	-----------	---------------------



**DIESELMOTOR CAT****ENGINE**

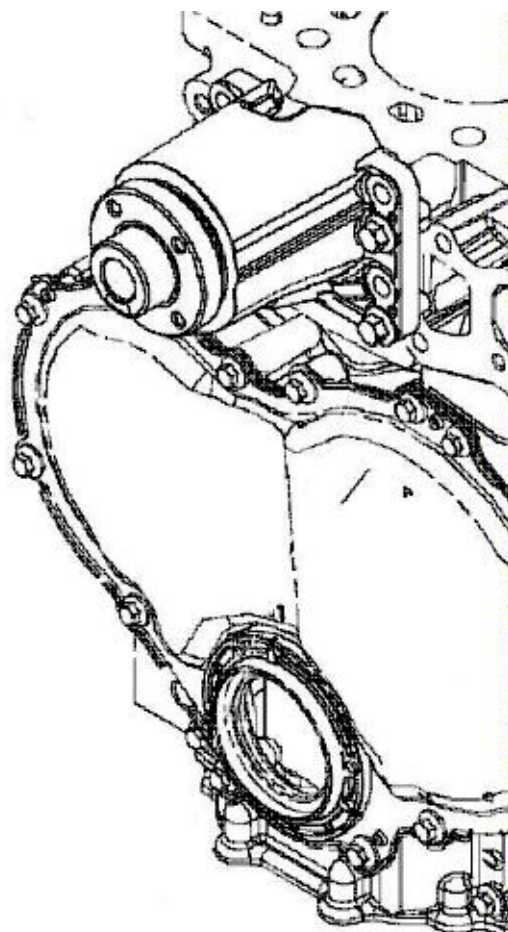
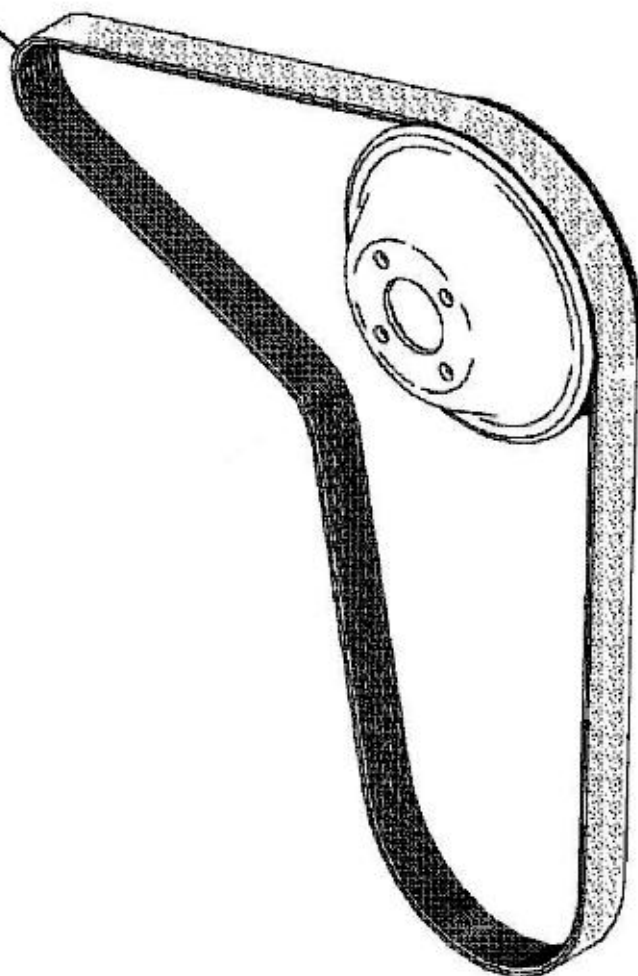
Pos Fig	Ant Qty	Benämning	Description	Dimension	Art. nr Part. nr
------------	------------	-----------	-------------	-----------	---------------------

**DIESELMOTOR CAT****ENGINE**

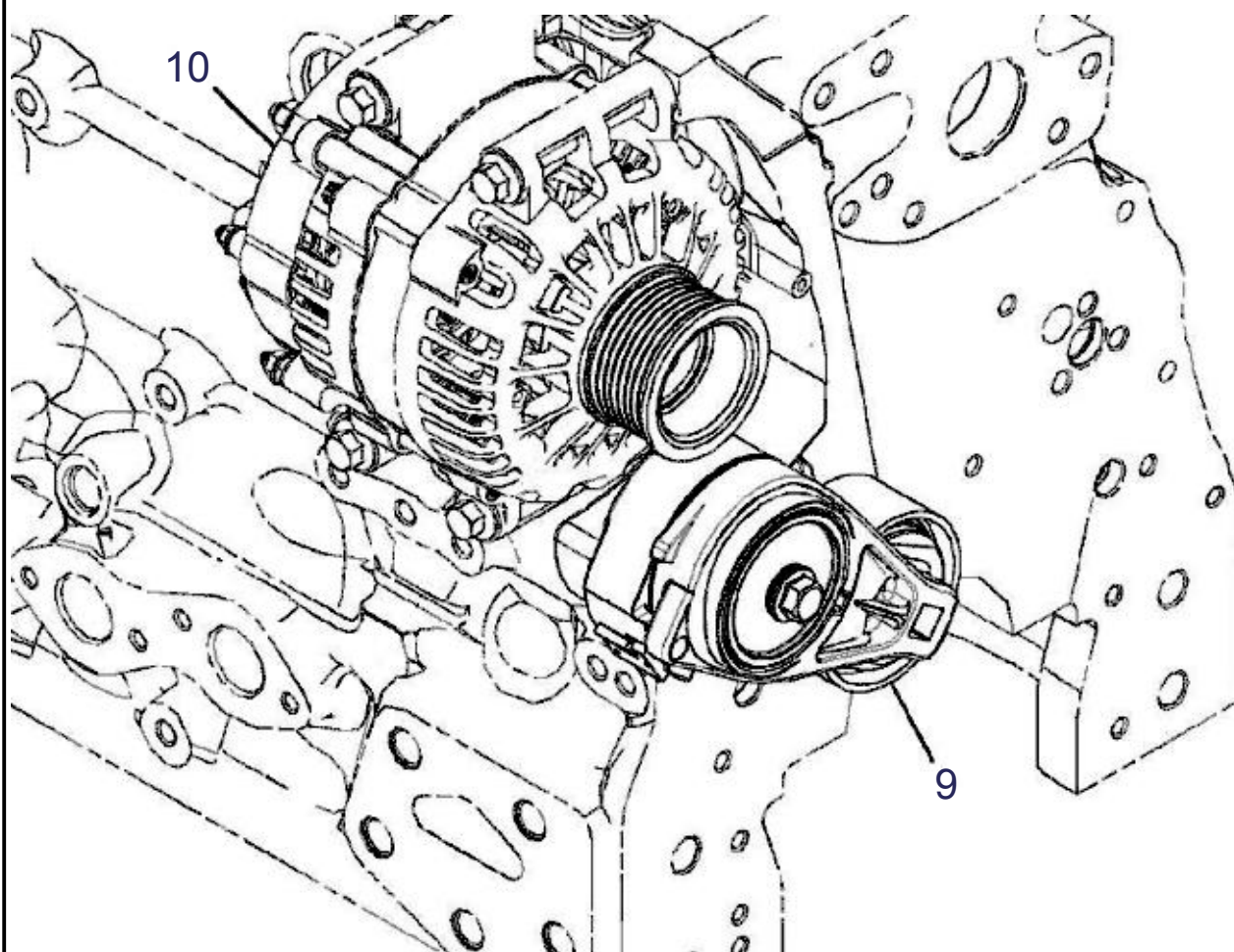
Pos Fig	Ant Qty	Benämning	Description	Dimension	Art. nr Part. nr
------------	------------	-----------	-------------	-----------	---------------------

**DIESELMOTOR CAT  
ENGINE**

8



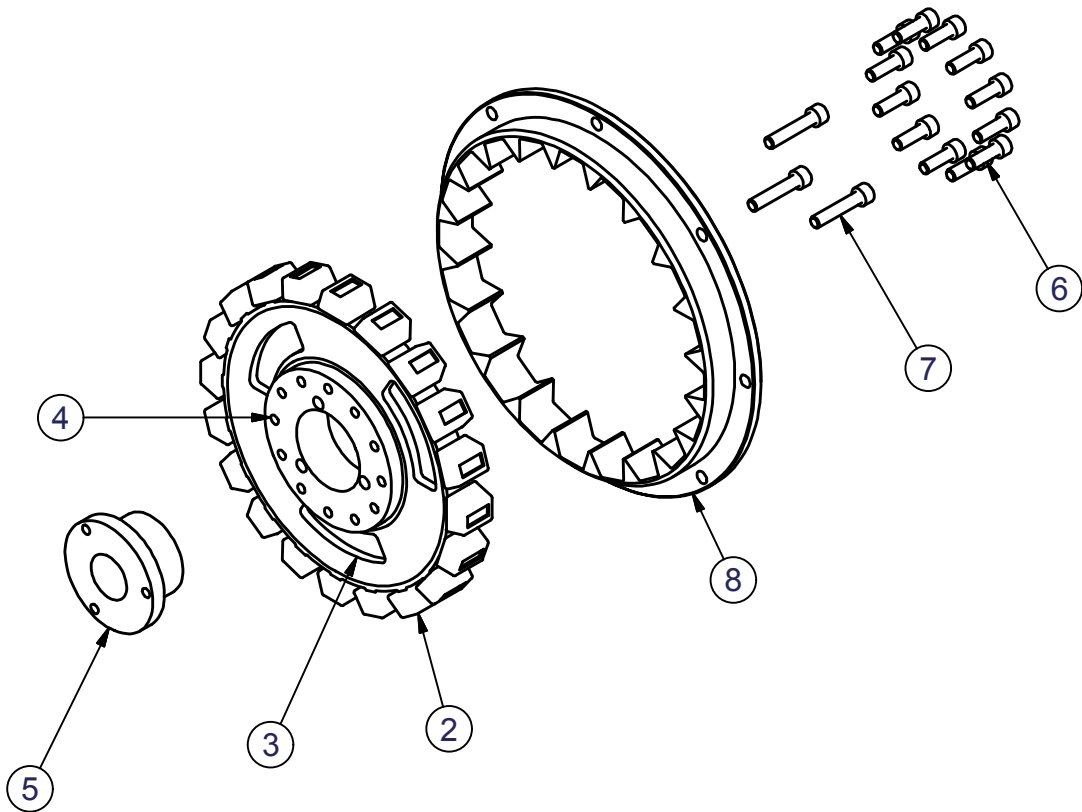
Pos Fig	Ant Qty	Benämning	Description	Dimension	Art. nr Part. nr
------------	------------	-----------	-------------	-----------	---------------------

**DIESELMOTOR CAT  
ENGINE**

Pos Fig	Ant Qty	Benämning	Description	Dimension	Art. nr Part. nr
------------	------------	-----------	-------------	-----------	---------------------

**DIESELMOTOR CAT  
ENGINE**

1	1	FILTER	FILTER ELEMENT	AIR PRIMARY	5018472
2	1	FILTER	FILTER ELEMENT	AIR SECONDARY	5018473
3	1	REGNSKYDD	CAP	AIR CLEANER	5018479
4	1	FILTER	FILTER ELEMENT	WATER SEPARATOR	5018474
5	1	FILTER	FILTER ELEMENT	FUEL	5018475
6	1	FILTER	FILTER	ENGINE OIL	5018480
7	1	FILTERSATS	FILTER KIT	FUMES DISPOSAL	5018478
8	1	FLÄKTREM	BELT	SERPENTINE	5018483
9	1	REM STRÄCKARE	BELT TENSIONER		5018484
10	1	GENERATOR	ALTERNATOR	24V, 70A	5018482
*	1	FILTERSATS MOTOR	FITER KIT ENGINE	incl 1,2,4,5,6	5018485
*	10	OLJA	OIL	CAT DEO 15W-40	F03310
Pos Fig	Ant Qty	Benämning	Description	Dimension	Art. nr Part. nr

**SVÄNGHJUL KOPPLINGSSATS****FLYWHEEL CLUTCH KIT**

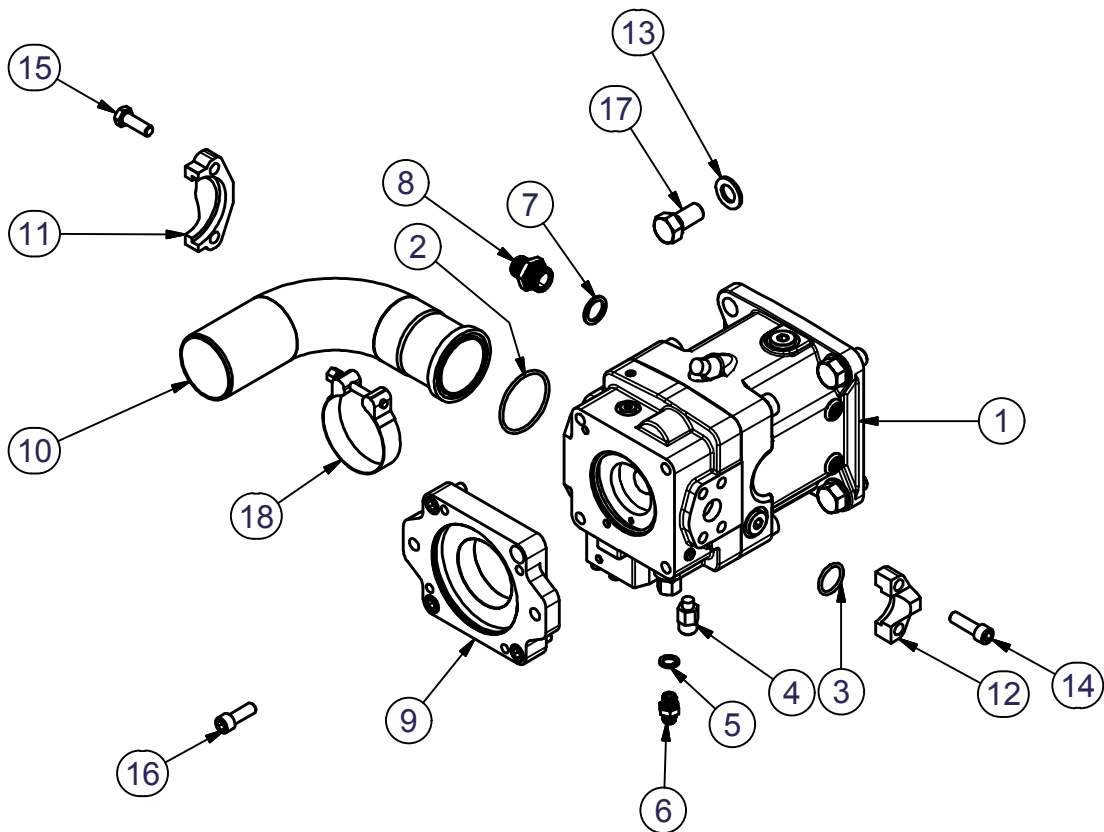
Pos Fig	Ant Qty	Benämning	Description	Dimension	Art. nr Part. nr
------------	------------	-----------	-------------	-----------	---------------------

**SVÄNGHJUL KOPPLINGSSATS****FLYWHEEL CLUTCH KIT**

2	20	GUMMIKUDDE	RUBBER PAD		1041333
3	1	SPINDEL 11,5"	SPIDER 11,5"		1041332
4	1	SPINDELNAV	SPIDERHUB	CAT	TF104995
5	1	NAV	HUB	DIN5480-W40	1041335
6	12	SKRUV	SCREW	MC6S 8.8 M10x30	1042694
7	3	SKRUV	SCREW	MC6S 8.8 M10x50	1061048
8	1	DRIVRING 11,5"	COUPLING 11,5"		1041331
Pos Fig	Ant Qty	Benämning	Description	Dimension	Art. nr Part. nr

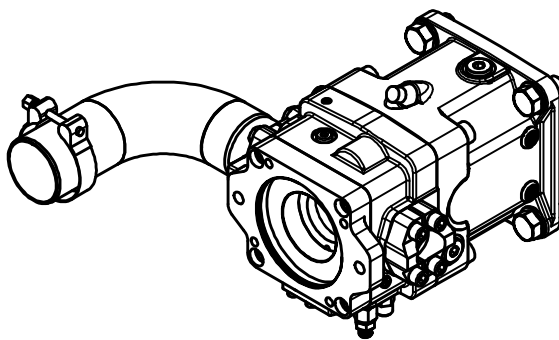
## AGGREGATPUMPSATS

## FLAIL PUMP KIT

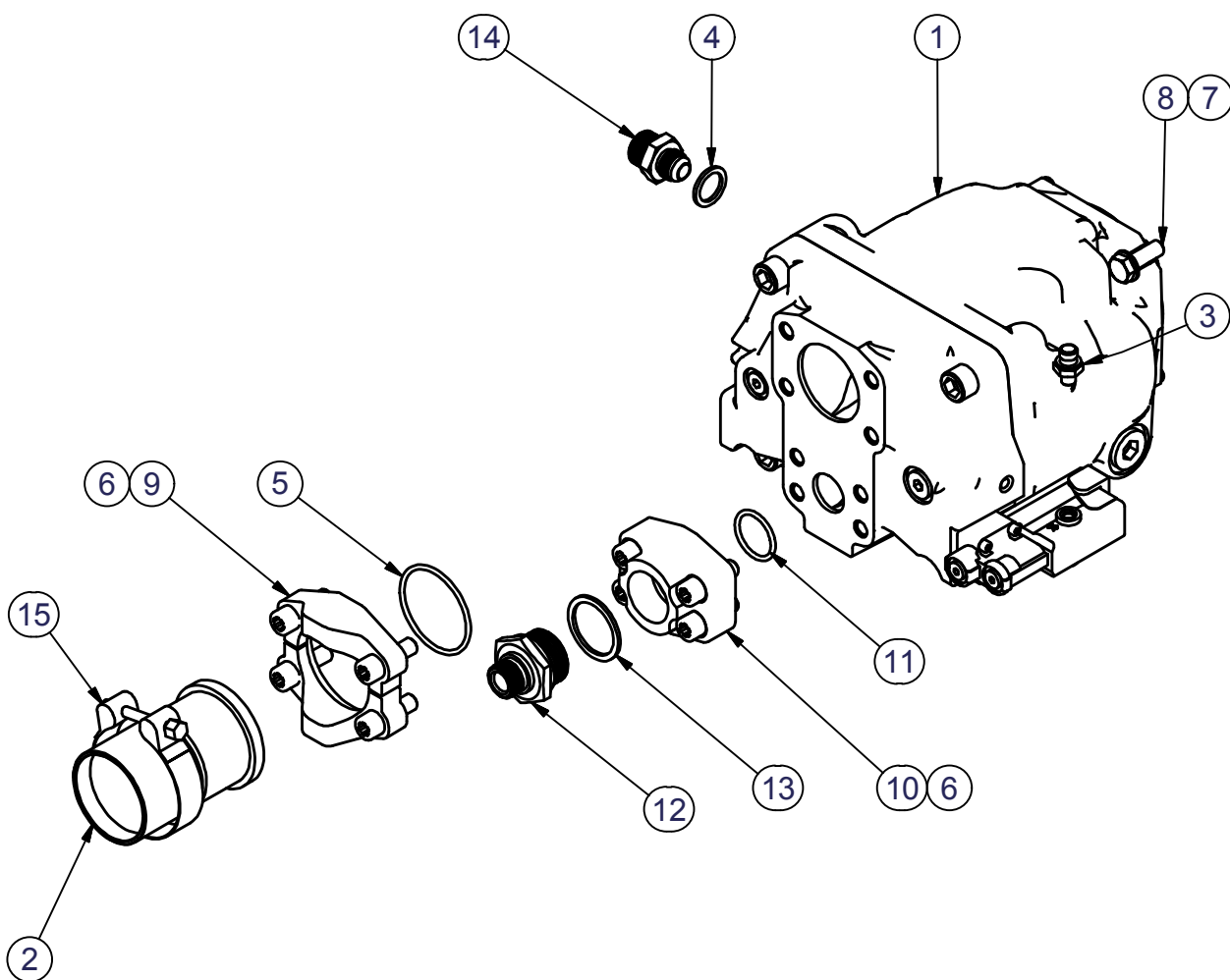


Pos Fig	Ant Qty	Benämning	Description	Dimension	Art. nr Part. nr
---------	---------	-----------	-------------	-----------	------------------



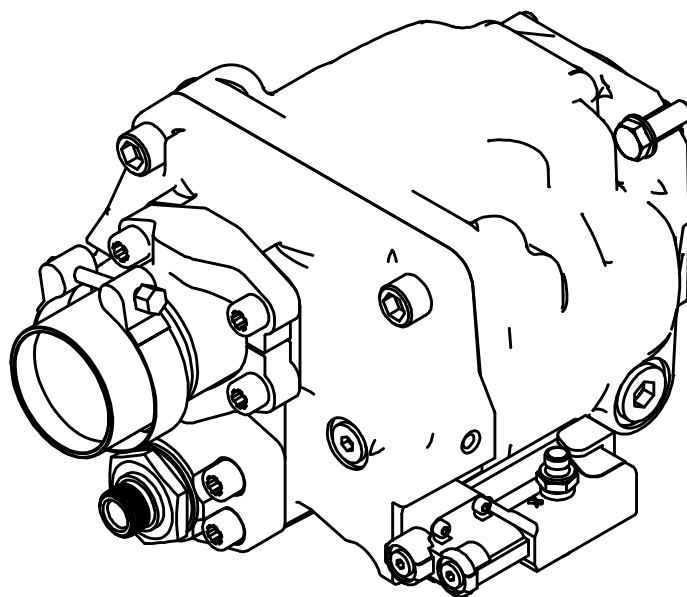
**AGGREGATPUMPSATS**
**FLAIL PUMP KIT**


1	1	Pump Rexroth A11VO75	Pump Rexroth A11VO75		1041375
2	1	O-RING	O-RING	69,44x3,53	1039510
3	1	O-RING	O-RING	32,93x3,53	1038066
4	1	MÄTUTTAG	MEASURING NIPPLE	M12	1041581
5	1	BRICKA	TREDO SEAL	GSTB 1/4	1039494
6	1	ADAPTER	ADAPTER	1/4"G-M14x1.5	1041813
7	1	BRICKA	TREDO SEAL	GSTB 5/8	1038231
8	1	ADAPTER	ADAPTER	3/4"G-M22x1.5	1041714
9	1	KRAFTUTTAG	POWER TAKE OFF	SAE-C	5015507
10	1	SUGANSLUTNING	SUCTION LINE	W-Serie	5018535
11	2	FLÄNSHALVA	FLANGE	2.1/2"SAE	1039916
12	2	FLÄNSHALVA	FLANGE	1"SAE	1039932
13	4	BRICKA	WASHER	BRB 20x36x3	1048198
14	4	SKRUV	SCREW	MC6S 12.9 M12x40	1060700
15	4	SKRUV	SCREW	M6S 8.8 M12x35	1060425
16	4	SKRUV	SCREW	MC6S 12.9 M12x35	1060939
17	4	SKRUV	SCREW	U6C 8.8 UNC 3/4-38 FZB	5018374
18	1	KLAMMER	CLAMP	83-91MM	5018275
Pos Fig	Ant Qty	Benämning	Description	Dimension	Art. nr Part. nr

**KRANPUMPSATS****BOOM PUMP**

## KRANPUMPSATS

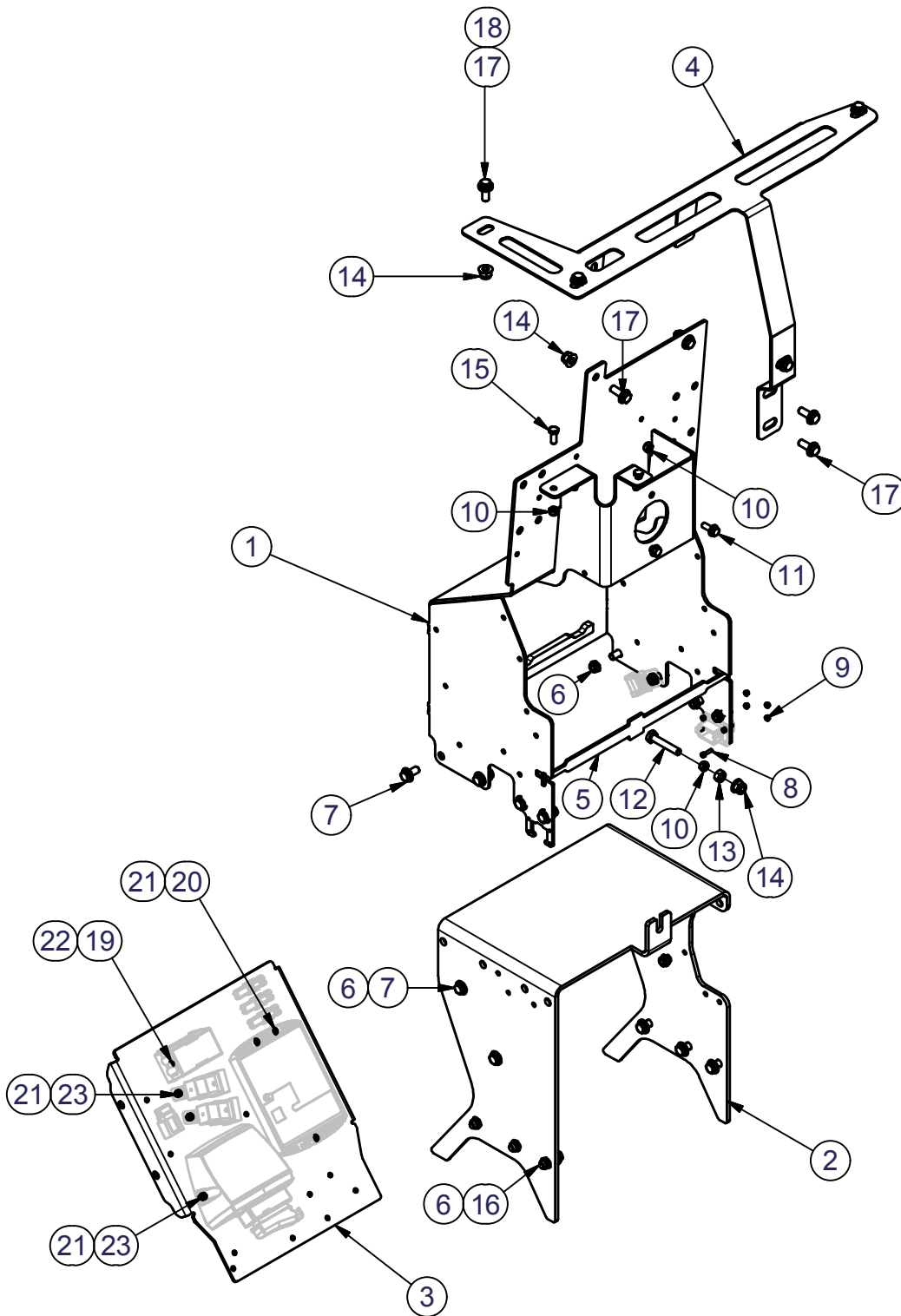
### BOOM PUMP



1	1	PUMP S45 / 100cc	PUMP S45 / 100cc		1041397
2	1	SUGANSLUTNING	SUCTION LINE		5015531
3	1	ADAPTER	ADAPTER	7/16"U-1/4"G	4710052
4	1	BRICKA	TREDO SEAL	GSTB 5/8	1038231
5	1	O-RING	O-RING	69,44x3,53	1039510
6	8	SKRUV	SCREW	UC6S 12.9 UNC 1/2-1,5	1038116
7	4	BRICKA	WASHER	BRB 13x24x2	1060378
8	4	SKRUV	SCREW	M6S 8.8 M12x35	1060425
9	2	FLÄNSHALVA	FLANGE	2.1/2"SAE	1039916
10	1	SAE FLÄNS	SAE FLANGE	G1.1/4	5012383
11	1	O-RING	O-RING	37,69x3,53	1001353
12	1	ADAPTER	ADAPTER	3/4"G-1.1/4"G	5017874
13	1	BRICKA	TREDO SEAL	GSTB 1.1/4	1005388
14	1	ADAPTER	ADAPTER	3/4"G-7/8"J	1039585
15	1	KLAMMER	CLAMP	83-91MM	5018275
Pos Fig	Ant Qty	Benämning	Description	Dimension	Art. nr Part. nr

## ELSKÅP KPL.

## EL BOX



Pos Fig	Ant Qty	Benämning	Description	Dimension	Art. nr Part. nr
---------	---------	-----------	-------------	-----------	------------------

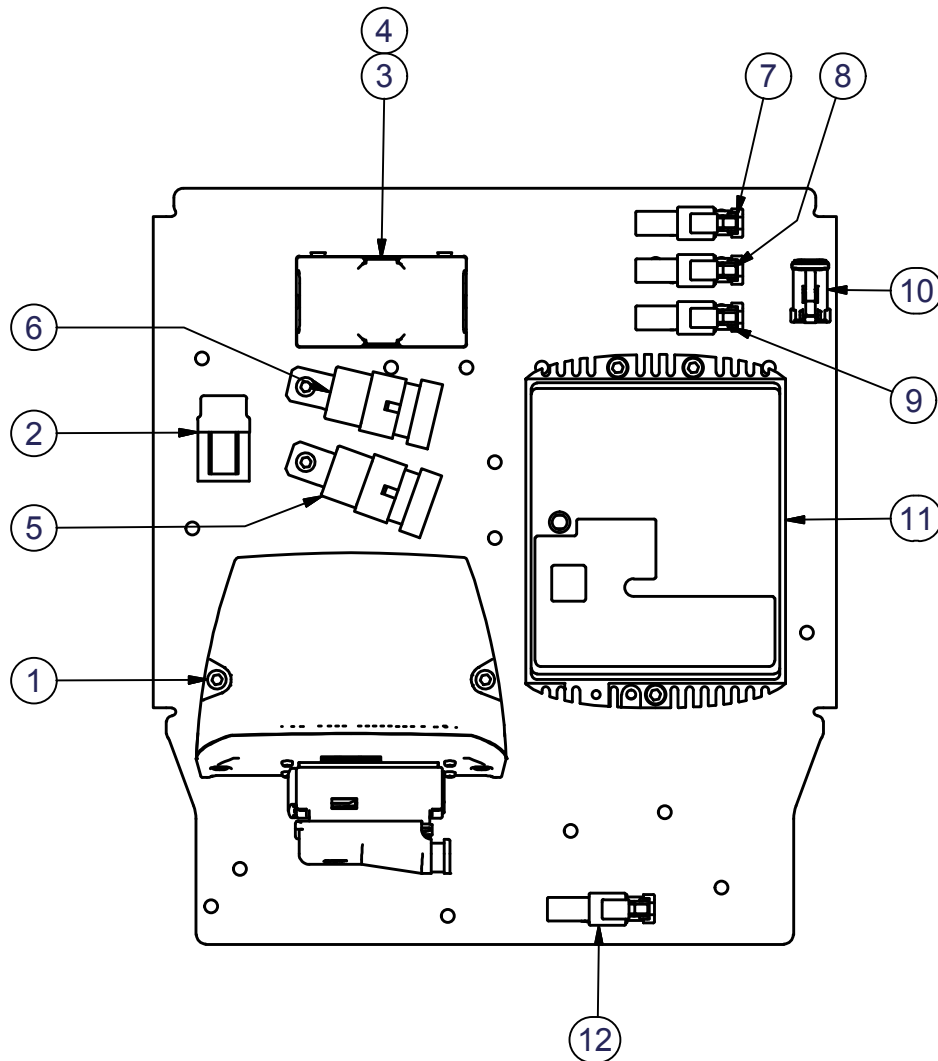
**ELSKÅP KPL.**
**EL BOX**

1	1	BATTERISKÅP	BATTERY BOX		5018306
2	1	BATTERIHYLLA	BATTERY SHELF		5018312
3	1	SVEP	SWEEP		5018461
4	1	SKELETT KÅPOR	FRAME		5018442
5	1	PLÅT BATTERILÅS	LOCK		5018311
6	18	MUTTER	LOCK NUT	LÅSML 8 M10	1005586
7	14	SKRUV	SCREW	M6SF 8.8 M10x20	4703759
8	4	SKRUV	SCREW	MC6S 8.8 M4x16	1047952
9	4	MUTTER	LOCK NUT	LÅSML 8 M4	1043770
10	4	MUTTER	LOCK NUT	LÅSML 8 M8	1038215
11	2	SKRUV	SCREW	M6SF 8.8 M8x20	1060600
12	1	SKRUV	SCREW	M6S 8.8 M10x55	1061257
13	1	MUTTER	NUT	M6M 8 M10	1060706
14	7	MUTTER	LOCK NUT	LÅSMF 8 M10	1060437
15	2	SKRUV	SCREW	M6S 8.8 M8x20	1060815
16	6	SKRUV	SCREW	M6SF 8.8 M10x30	1060804
17	8	SKRUV	SCREW	M6SF 8.8 M10x25	1060420
18	4	BRICKA	WASHER	BRB 11x22x2	1043116
19	2	SKRUV	SCREW	MC6S 8.8 M5x16	
20	3	SKRUV	SCREW	MC6S 8.8 M6x25	1060928
21	7	MUTTER	LOCK NUT	LÅSML 8 M6	1043785
22	2	MUTTER	LOCK NUT	LÅSML 8 M5	1043777
23	4	SKRUV	SCREW	MC6S 8.8 M6x16	1043090
Pos Fig	Ant Qty	Benämning	Description	Dimension	Art. nr Part. nr



EL W17/G17

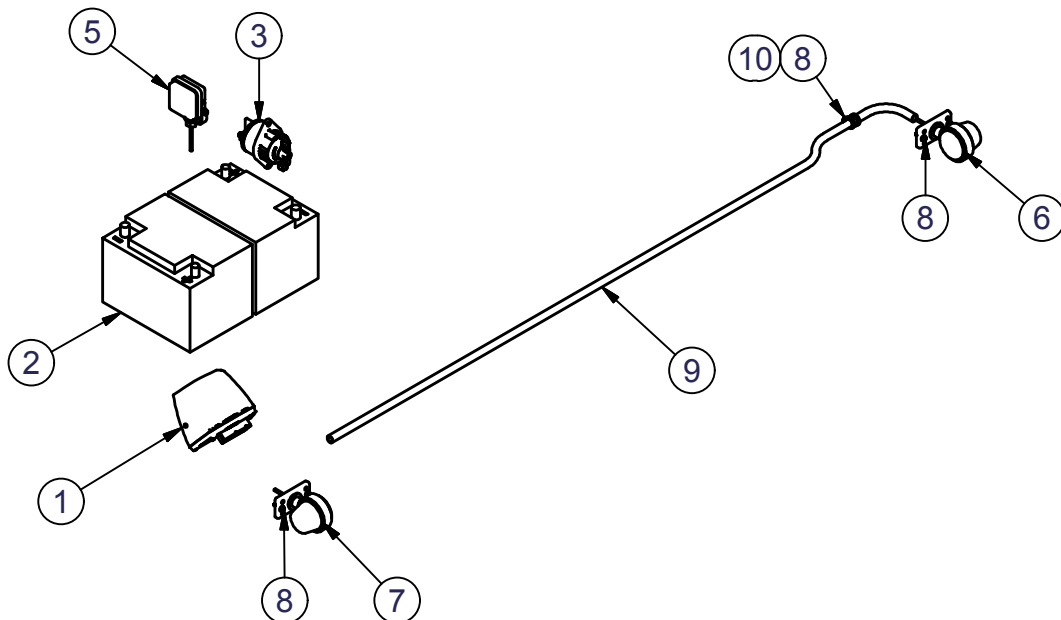
ELECTRIC W17/G17



Pos Fig	Ant Qty	Benämning	Description	Dimension	Art. nr Part. nr
------------	------------	-----------	-------------	-----------	---------------------

**EL W17/G17**
**ELECTRIC W17/G17**

1	1	IQAN XA-2	IQAN XA-2		4702653
2	1	F1 SÄKRING	F1 FUSE	10A, IGNITION	1046952
3	1	F2 SÄKRING	F2 FUSE	30A, ENGINE	5018790
4	1	F3 SÄKRING	F3 SÄKRING	80A, RIFUSE	5018795
5	1	K10 RELÄ	K10 RELAY	STARTER	5018789
6	1	K1 RELÄ	K1 RELAY	STOP ENGINE	5018789
7	1	R2 MOTSTÅND	R2 RESISTOR	180Ω LEVEL SENSOR FUEL	5018779
8	1	R3 MOTSTÅND	R3 RESISTOR	180Ω LEVEL SENSOR HYD.OIL	5018779
9	1	R5 MOTSTÅND	R5 RESISTOR	1kΩ LIFT PUMP	5018778
10	1	R1+R6 MOTSTÅND (X6-S)	R1+R6 RESISTOR (X6-S)	100Ω ALTERNATOR + 1,5kΩ IQAN-MD4	5018791
11	1	RIFUSE	RIFUSE		5018434
12	1	E8 KONTAKT	E8 PLUG	MARKER LIGHT G17	
		EJ PÅ BILD	NOT SHOWED		
	1	R7 MOTSTÅND (X1)	R7 RESISTOR (X1)	120Ω CAN J1939	5018788
	1	R4 MOTSTÅND (X9)	R4 RESISTOR (X9)	120Ω SOOT SENSOR	5018788
	1	R8 MOTSTÅND (X11)	R8 RESISTOR (X11)	120Ω CAT ECU	5018788
		OPTION GPS	OPTION GPS		
	1	K14 RELÄ	K14 RELAY		5018789
Pos Fig	Ant Qty	Benämning	Description	Dimension	Art. nr Part. nr

**ELSATS****ELECTRIC KIT**

Pos Fig	Ant Qty	Benämning	Description	Dimension	Art. nr Part. nr
------------	------------	-----------	-------------	-----------	---------------------

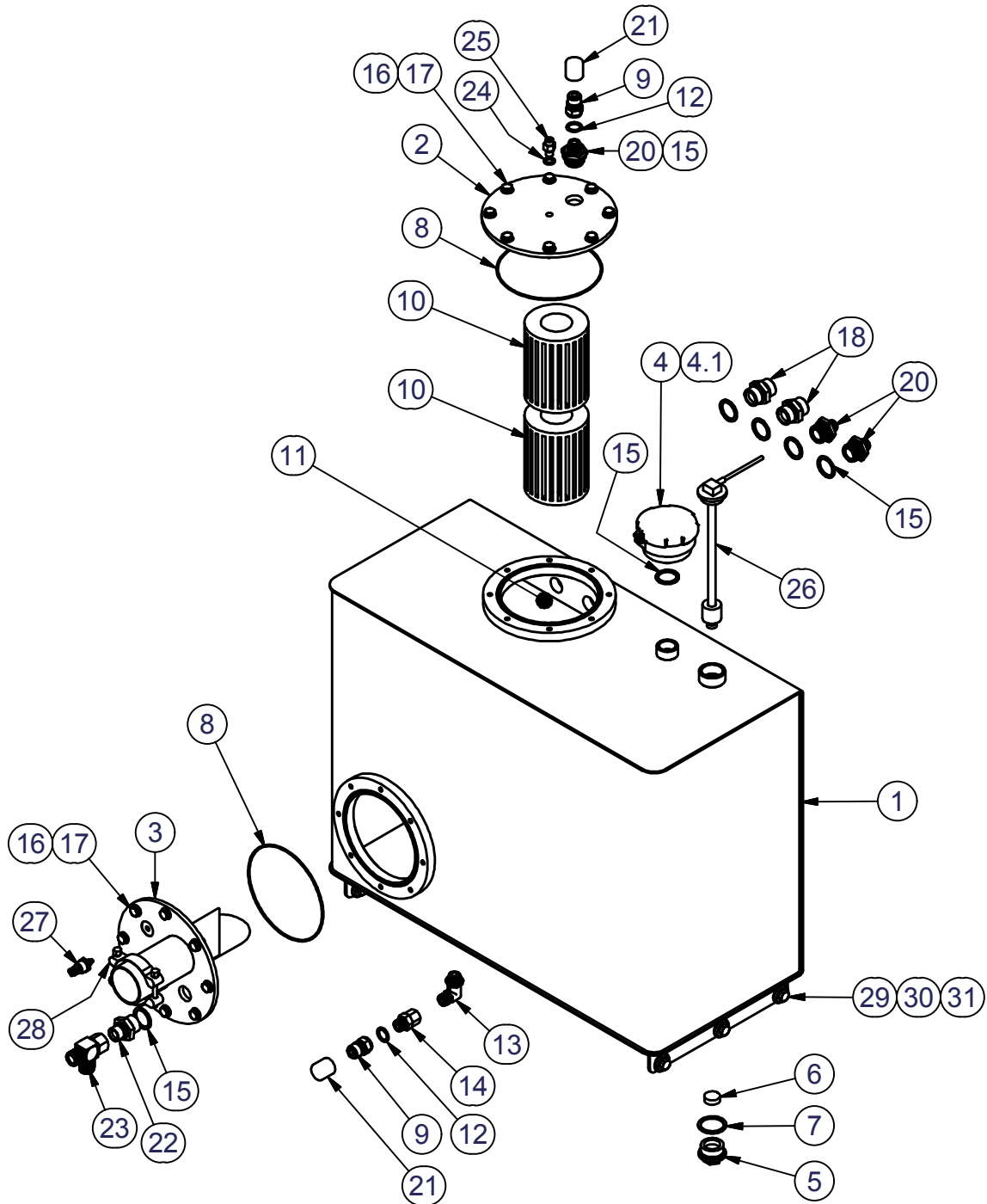


**ELSATS****ELECTRIC KIT**

1	1	IQAN XA2	IQAN XA2 CONTROLLER		4702653
2	2	BATTERI 12V	Accumulator 12V		1039265
3	1	HUVUDSTRÖMBRYTARE	BATTERY DISCONNECT	HBD31	5018217
4	1	KABLAGESATS	HARNESS CIT		5018420
5	1	BLIXTLJUS MED DIODER	FLASHLIGHT		1041857
6	1	POSITIONSLAMPA	POSITION LIGHT	24V, REAR	5018721
7	1	POSITIONSLAMPA	POSITION LIGHT	24V, FRONT	5018722
8	5	SKRUV	SCREW	M6SF-TT M5x20	1043819
9	1	SKYDDSSLANG	PROTECTION HOSE	L=2500	5018723
10	1	KLÄMMA	CLAMP		1061043
Pos Fig	Ant Qty	Benämning	Description	Dimension	Art. nr Part. nr

HYDRAULOLJETANK KPL.

HYDRAULIC RESERVOIR



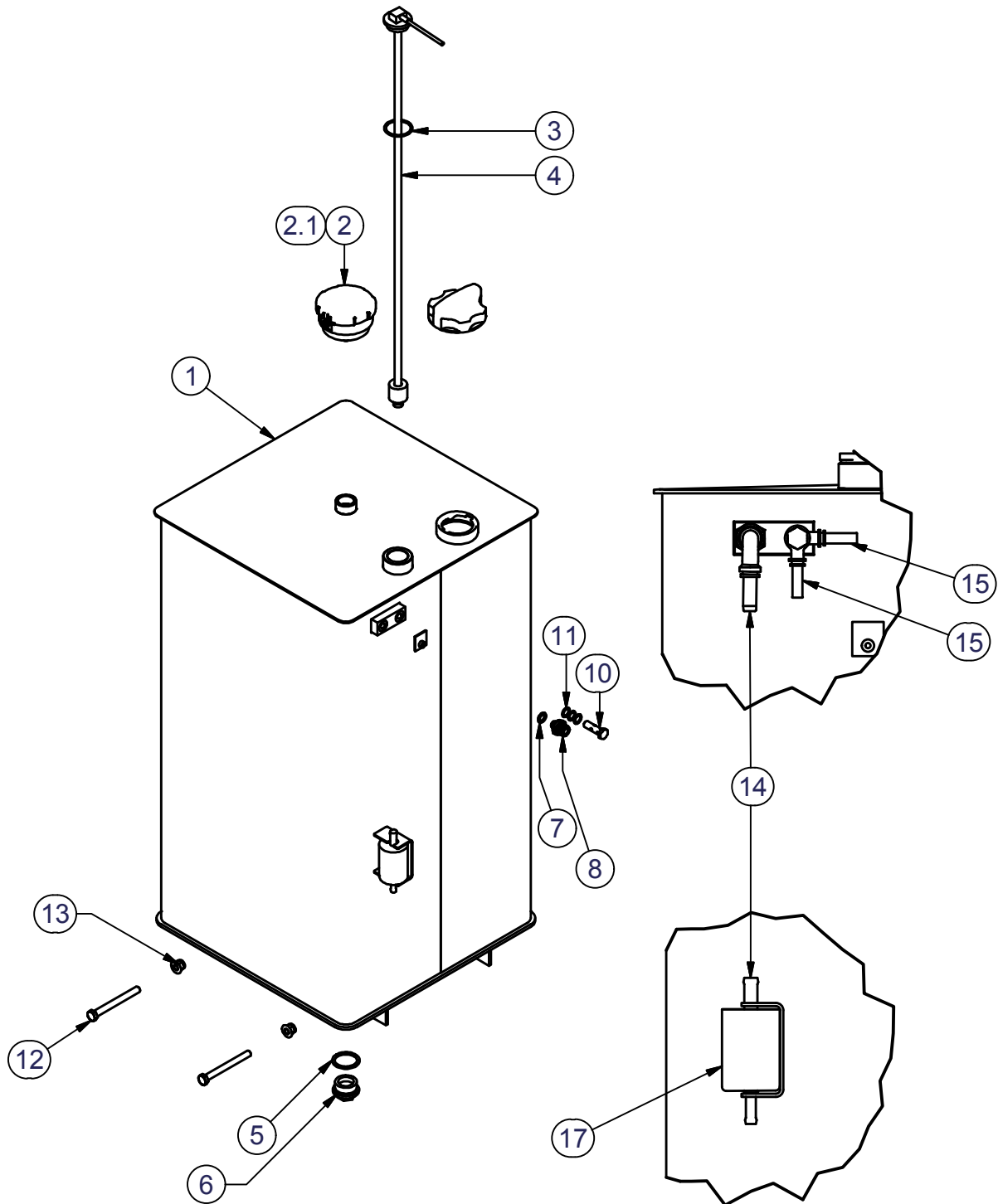
Pos Fig	Ant Qty	Benämning	Description	Dimension	Art. nr Part. nr
---------	---------	-----------	-------------	-----------	------------------

**HYDRAULOLJETANK KPL.**
**HYDRAULIC RESERVOIR**

1	1	HYDRAULOLJETANK	TANK		5018230
2	1	LOCK	COVER	t=10mm	5013078
3	1	SUGANSLUTNING	SUCTION LINE		5018295
4	1	ANDNINGSFILTER	FILTER HOUSING	incl. 4.1	5018213
4.1	1	FILTER	FILTER		5018214
5	1	MAGNETPROPP	MAGNETIC PLUG	G 1.1/4	5012045
6	1	MAGNET	MAGNET		1043314
7	1	BRICKA	TREDO SEAL	GSTB 1.1/4	1005388
8	2	O-RING	O-RING	189,5x3	1048982
9	2	SNABBKOPPLING HANE	TEMA 5000 male	G1/2	1046267
10	2	FILTERPATRON	FILTER CARTRIDGE		1046127
11	1	BYPASS VENTIL KPL.	BYPASS VALVE		1046126
12	2	BRICKA	TREDO SEAL	GSTB 1/2	1001957
13	1	ADAPTER	ADAPTER	1/2"R-1/2"G	9606548
14	1	ADAPTER	ADAPTER	1/2"RSF-1/2"G	1039718
15	7	BRICKA	TREDO SEAL	GSTB 1	1005370
16	16	BRICKA	WASHER	BRB 11x22x2	1043116
17	16	SKRUV	SCREW	M6S 8.8 M10x20	1060729
18	2	ADAPTER	ADAPTER	1"G-1"G	5001014
20	3	ADAPTER	ADAPTER	1/2"G-1"G	1039544
21	2	SKYDD	COVER	G1/2	1049220
22	1	ADAPTER	ADAPTER	3/4"G-1"G	1038009
23	1	ADAPTER	ADAPTER	3/4"RSF-3/4"G	1041818
24	1	BRICKA	TREDO SEAL	GSTB 1/4	1039494
25	1	FILTERVAKT	GAUGE	2,5bar	1049857
26	1	NIVÅVAKT	LEVER SENSOR	S3-300	1046300
27	1	TEMPERATURGIVARE	TEMP. SENSOR	M10	5018218
28	2	KLAMMER	CLAMP	83-91MM	5018275
29	6	SKRUV	SCREW	M6S 8.8 M12x35	1060425
30	6	BRICKA	WASHER	TBRBSB 13,5x36x6	1041235
31	3	MUTTER	LOCK NUT	LÅSMF 8 M12	1060769
Pos Fig	Ant Qty	Benämning	Description	Dimension	Art. nr Part. nr

## DIESELTANK KPL.

## FUELTANK



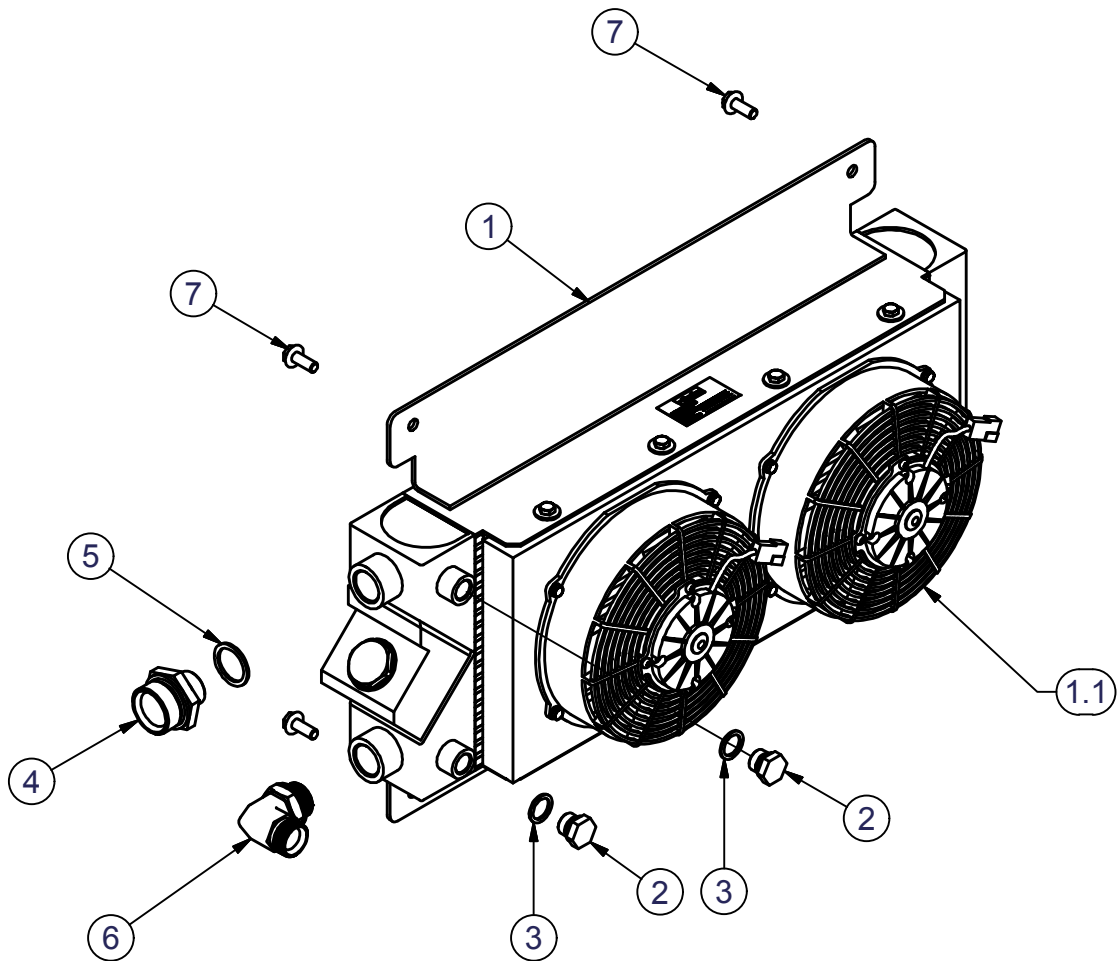
Pos Fig	Ant Qty	Benämning	Description	Dimension	Art. nr Part. nr
---------	---------	-----------	-------------	-----------	------------------

**DIESELTANK KPL.**
**FUELTANK**

1	1	DIESELTANK	TANK		5018360
2	1	FILTERHUS	FILTER HOUSING	incl 2.1	5018213
2.1	1	FILTER	FILTER		5018214
3	1	O-RING	O-RING	47,22x3,53	1038249
4	1	NIVÅVAKT	LEVER SENSOR	S3 - E900	5017973
5	1	BRICKA	TREDO SEAL	GSTB 1.1/4	1005388
6	1	MAGNETPROPP	MAGNETIC PLUG	G 1.1/4	5012045
7	1	BRICKA	TREDO SEAL	GSTB 1/4	1039494
8	1	ADAPTER	ADAPTER	1/4"G-1/2"G	1039692
10	1	BANJOBULT	BANJOBULT	G1/4	5018397
11	3	KOPPARBRICKA	COPPER SEAL	M14	1039115
12	4	SKRUV	SCREW	M6S 8.8 M12x120	1060404
13	4	MUTTER	LOCK NUT	LÅSMF 8 M12	1060769
14	1	HYDRAULSLANG	HYDRAULIC HOSE	1 1/2 490	5018394
15	2	HYDRAULSLANG	HYDRAULIC HOSE	1 3/8 1900	5018395
17	1	FILTER	FILTER		5018476
Pos Fig	Ant Qty	Benämning	Description	Dimension	Art. nr Part. nr

## OLJEKYLARE KPL.

## OIL COOLING

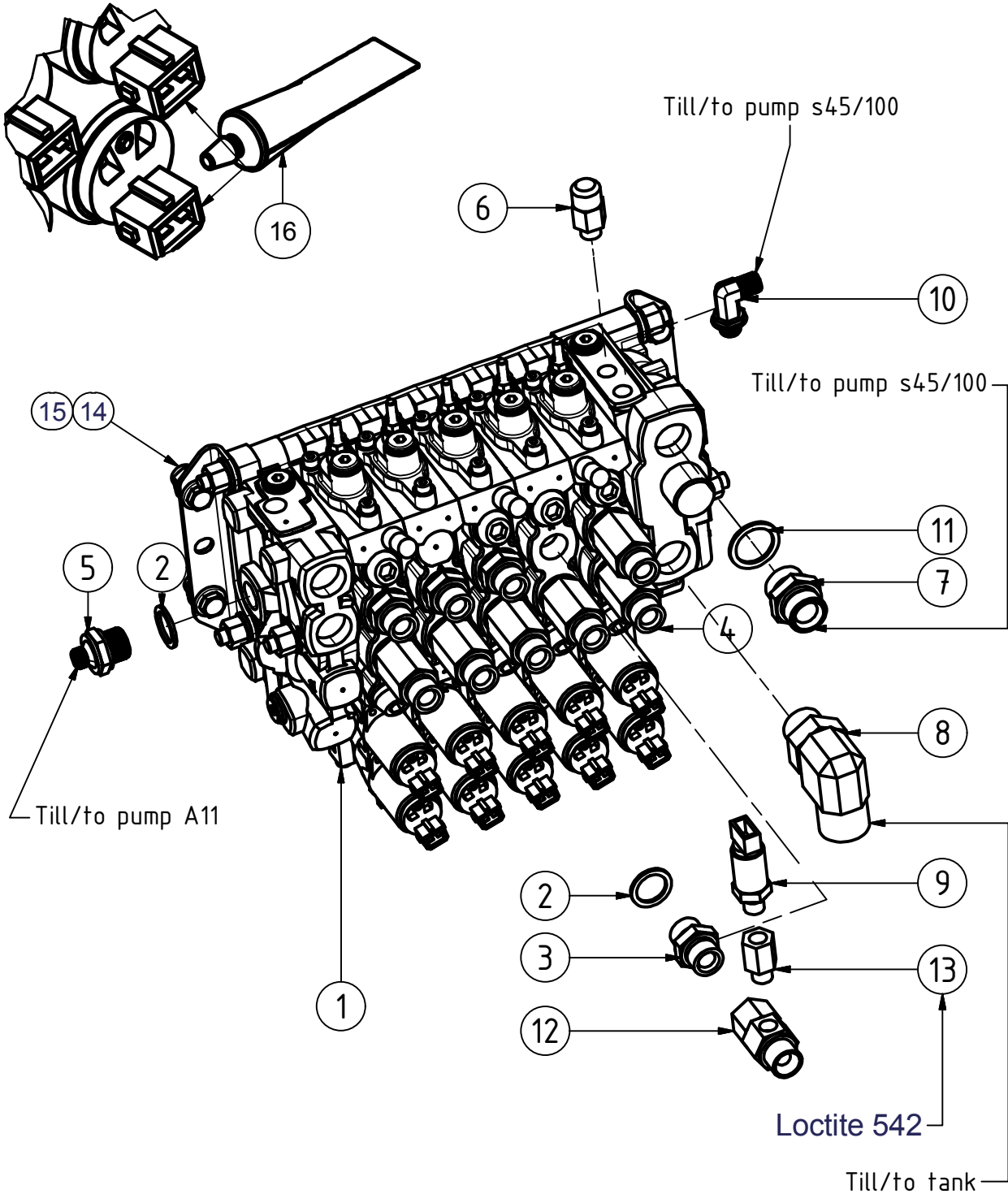


Pos Fig	Ant Qty	Benämning	Description	Dimension	Art. nr Part. nr
------------	------------	-----------	-------------	-----------	---------------------

**OLJEKYLARE KPL.****OIL COOLING**

1	1	HYDRAULOLJEKYLARE	HYDRAULIC OIL COOLER	incl 1.1	5018250
1.1	1	FLÄKTENHET	FAN UNIT		5018481
2	2	PLUGG	PLUG	1/2"G	1040690
3	2	BRICKA	TREDO SEAL	GSTB 1/2	1001957
4	1	ADAPTER	ADAPTER	1"G-1.1/2"G	1038173
5	1	BRICKA	TREDO SEAL	GSTB 1	1005370
6	1	ADAPTER	ADAPTER	1"R-1"G	1041839
7	4	SKRUV	SCREW	M6SF 8.8 M10x25	1060420
Pos Fig	Ant Qty	Benämning	Description	Dimension	Art. nr Part. nr

## MANÖVERVENTIL CONTROL VALVE

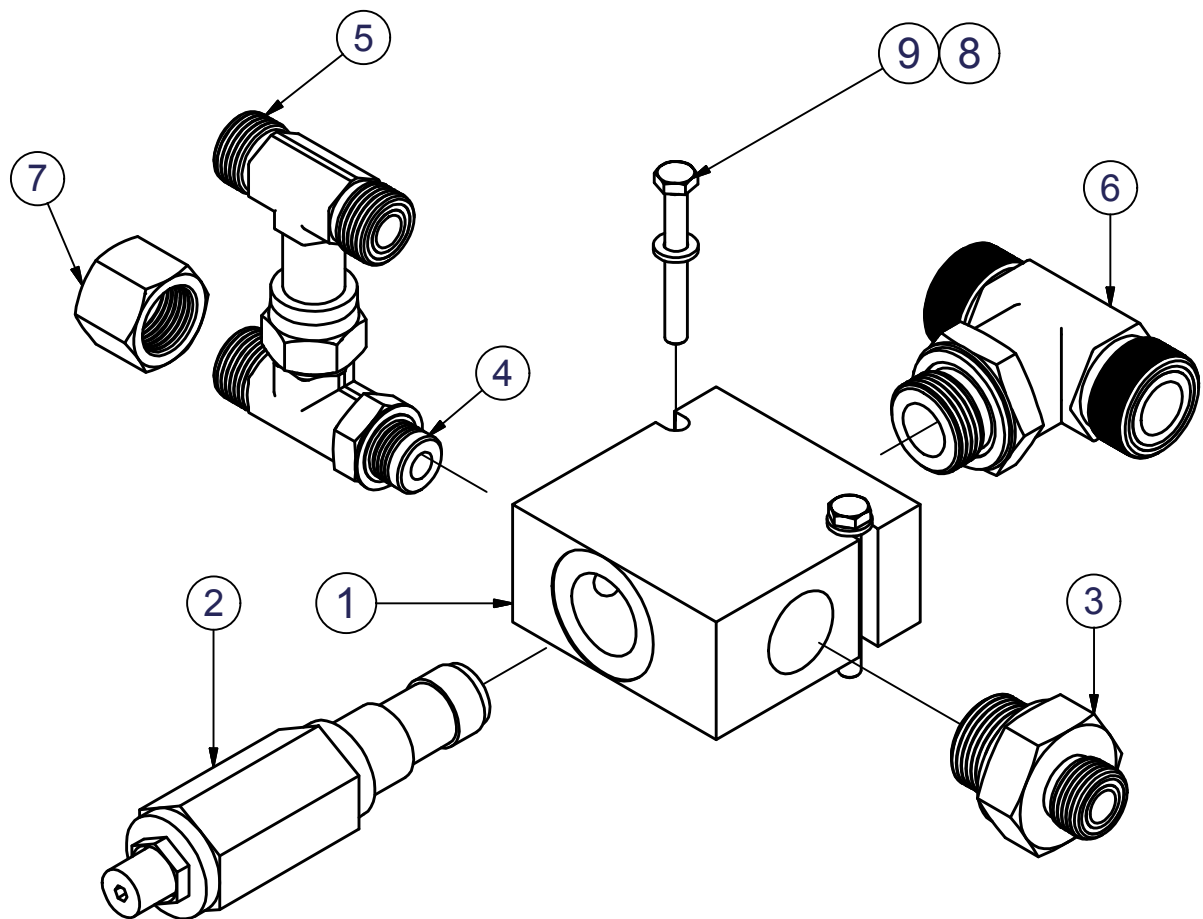


Pos Fig	Ant Qty	Benämning	Description	Dimension	Art. nr Part. nr
---------	---------	-----------	-------------	-----------	------------------

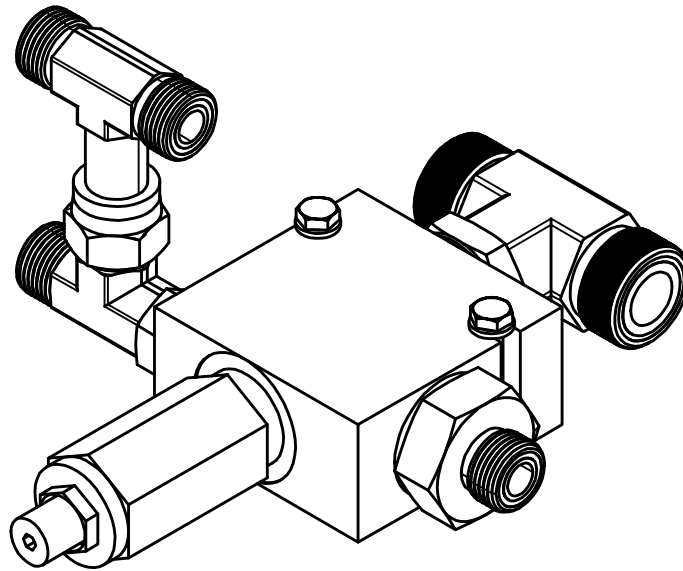


**MANÖVERVENTIL  
CONTROL VALVE**

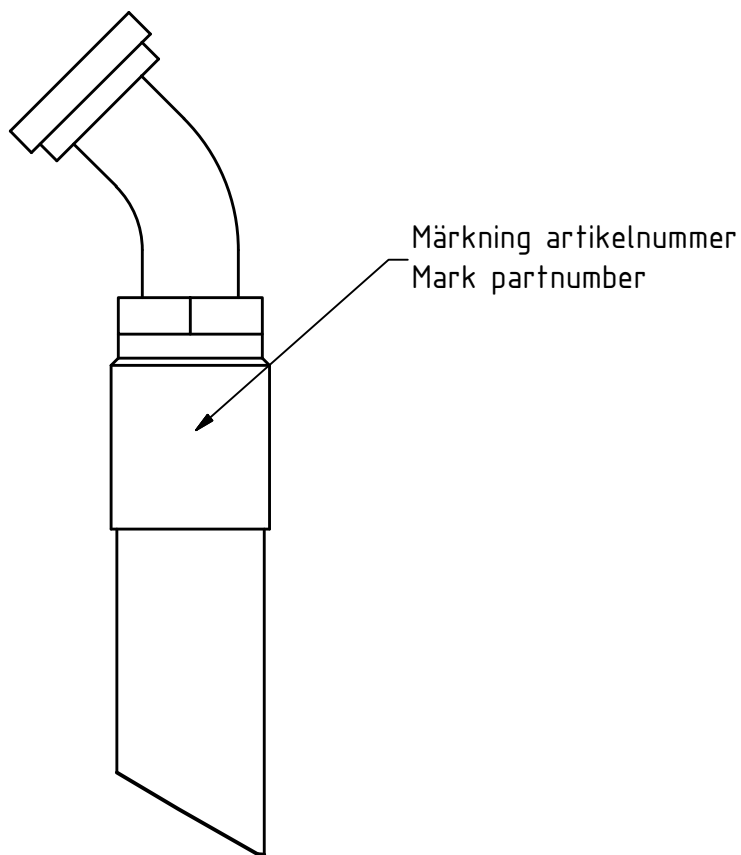
1	1	VENTIL	VALVE	L90LS-05-SE06-038B	4702017
2	11	BRICKA	TREDO SEAL	GSTB 1/2	1001957
3	4	ADAPTER	ADAPTER	1/2"G-1/2"G	1060701
4	6	ADAPTER	ADAPTER	1/2"G-1/2"G	1015957
5	1	ADAPTER	ADAPTER	1/4"G-1/2"G	1039692
6	1	MÄTNIPPEL	GAUGE NIPPLE	G1/4	1038587
7	1	ADAPTER	ADAPTER	3/4"G-3/4"G	1039171
8	1	ADAPTER	ADAPTER	3/4"R-1"G	1041862
9	1	TRYCKGIVARE	PRESSURE SENSOR	SP500	1049260
10	1	ADAPTER	ADAPTER	1/4"R-1/4"G	1040356
11	1	BRICKA	TREDO SEAL	GSTB 3/4	1060477
12	1	ADAPTER	ADAPTER	G1/2-G1/2-G1/4M	1060766
13	1	ADAPTER	ADAPTER	1/4"G-1/4"RF	1060762
14	4	MUTTER	LOCK NUT	LÅSMF 8 M10	1060437
15	4	SKRUV	SCREW	M6SF 8.8 M10x25	1060420
16	1	VITT VASELIN	WHITE VASELINE	100ml	1041100
Pos Fig	Ant Qty	Benämning	Description	Dimension	Art. nr Part. nr

**SEKVENSVENTIL****SEQUENCE VALVE**

Pos Fig	Ant Qty	Benämning	Description	Dimension	Art. nr Part. nr
------------	------------	-----------	-------------	-----------	---------------------

**SEKVENSVENTIL****SEQUENCE VALVE**

1	1	VENTILBLOCK	VALVE BLOCK	LB10711S	5018003
2	1	VENTILPATRON	VALVE CARTRIDGE	B04P3EZN	5018002
3	1	ADAPTER	ADAPTER	3/4"R-13/16"O	4700829
4	1	ADAPTER	ADAPTER	1/4"R-13/16"O	4702119
5	1	ADAPTER	ADAPTER	13/16"OSF-13/16"O	4702120
6	1	ADAPTER	ADAPTER	3/4"R-13/16"O	5018005
7	1	HUV	CAP	13/16"OSF	4700487
8	2	BRICKA	WASHER	BR 6,4x12x1,6	1060467
9	2	SKRUV	SCREW	M6S 8.8 M6x50	1061046
Pos Fig	Ant Qty	Benämning	Description	Dimension	Art. nr Part. nr

**SLANGSATS****HOSE KIT**

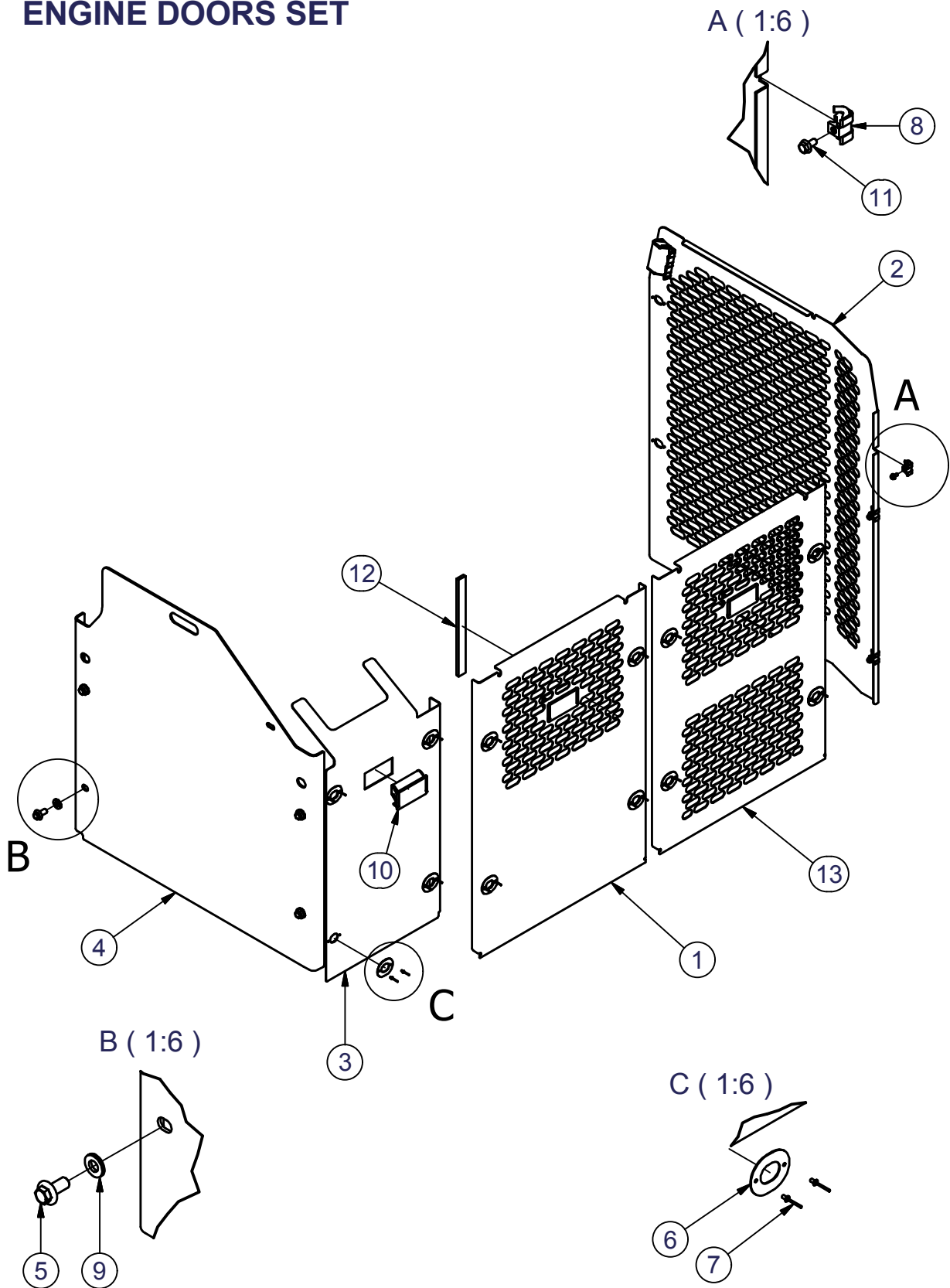
Pos Fig	Ant Qty	Benämning	Description	Dimension	Art. nr Part. nr
------------	------------	-----------	-------------	-----------	---------------------

**SLANGSATS****HOSE KIT**

1	1	SUGSLANG	SUCTION HOSE	3" 1200	5018367
2	1	SUGSLANG	SUCTION HOSE	3" 850	5018366
3	1	HYDRAULSLANG	HYDRAULIC HOSE	1 3/4 700	5018323
4	1	HYDRAULSLANG	HYDRAULIC HOSE	1 3/4 800	5018322
5	1	HYDRAULSLANG	HYDRAULIC HOSE	1 1 1250	5018321
6	1	HYDRAULSLANG	HYDRAULIC HOSE	2 3/4 1050	5018714
7	1	HYDRAULSLANG	HYDRAULIC HOSE	1 1 2480	5018319
8	1	HYDRAULSLANG	HYDRAULIC HOSE	2 1/4 1120	5018317
9	1	HYDRAULSLANG	HYDRAULIC HOSE	2 1/4 1200	5018316
10	1	HYDRAULSLANG	HYDRAULIC HOSE	2 1/2 1850	4702129
11	1	HYDRAULSLANG	HYDRAULIC HOSE	2 1/2 3900	5018715
12	1	HYDRAULSLANG	HYDRAULIC HOSE	2 1/2 5850	5018716
13	1	HYDRAULSLANG	HYDRAULIC HOSE	2 1/2 2100	4702126
14	6	HYDRAULSLANG	HYDRAULIC HOSE	2 1/2 4450	5018717
15	1	HYDRAULSLANG	HYDRAULIC HOSE	2 1/2 3150	4702124
16	1	HYDRAULSLANG	HYDRAULIC HOSE	2 1/2 750	5018718
17	1	HYDRAULSLANG	HYDRAULIC HOSE	2 1/2 5000	4702122
18	1	HYDRAULSLANG	HYDRAULIC HOSE	2 1/2 4500	4702121
19	1	HYDRAULSLANG	HYDRAULIC HOSE	2 1/2 800	5018719
20	1	HYDRAULSLANG	HYDRAULIC HOSE	1 1.1/2 3900	4702138
21	1	HYDRAULSLANG	HYDRAULIC HOSE	4 1" 5800	4702137
Pos Fig	Ant Qty	Benämning	Description	Dimension	Art. nr Part. nr

## MOTORLUCKOR

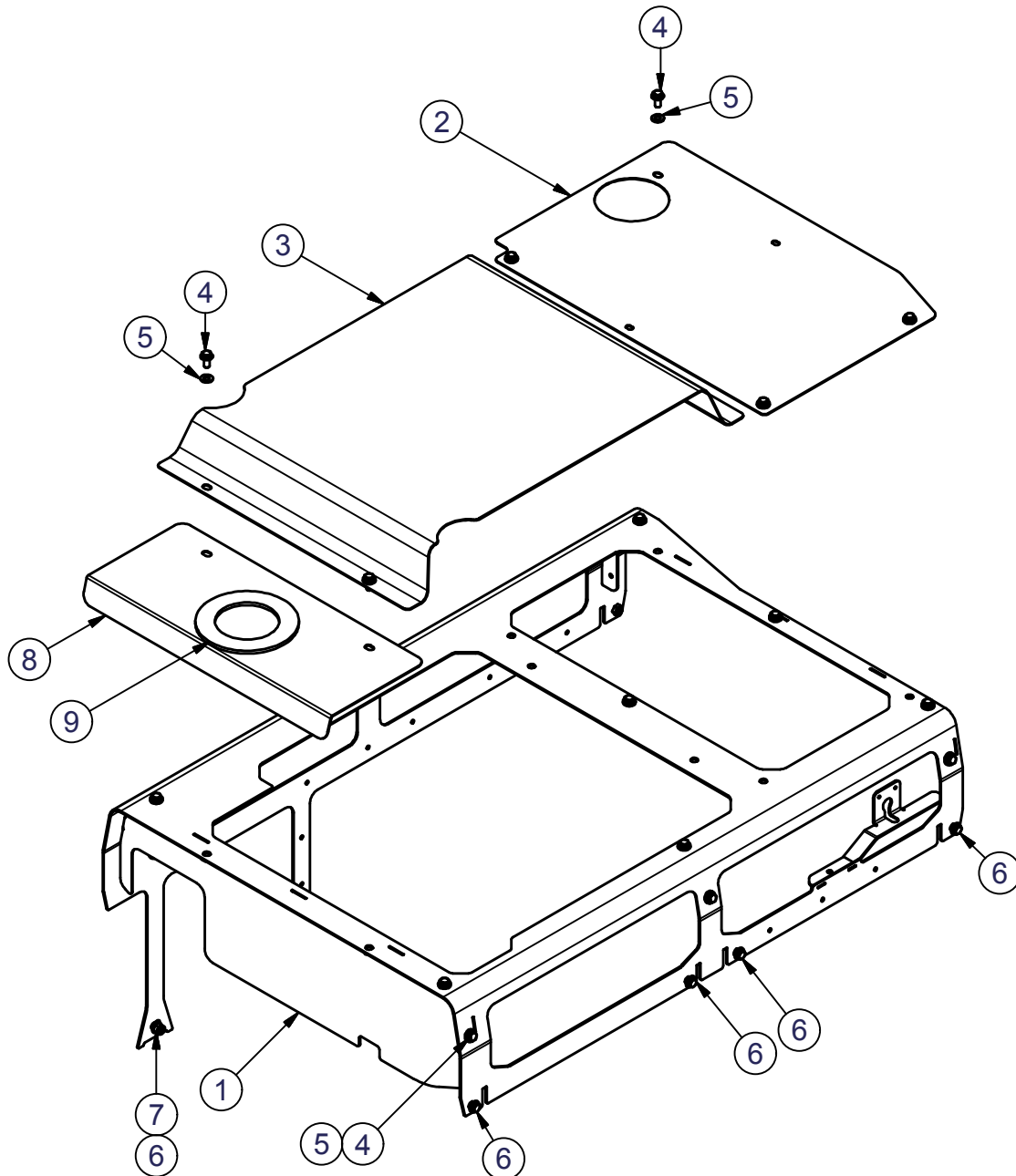
## ENGINE DOORS SET



Pos Fig	Ant Qty	Benämning	Description	Dimension	Art. nr Part. nr
---------	---------	-----------	-------------	-----------	------------------

**MOTORLUCKOR****ENGINE DOORS SET**

1	1	SIDOLUCKA	SIDE DOOR		5018286
2	1	KYLARLUCKA	DOOR		5018287
3	1	BATTERILUCKA	COVER		5018314
4	1	SKYDD	PROTECTION		5018315
5	4	SKRUV	SCREW	M6SF 8.8 M12x25	1060442
6	14	BRICKA	WASHER		5018371
7	28	POPINIT	POP RIVET	3.2 x 6	5018372
8	3	GÅNGJÄRN	CORNER HINGE		5018226
9	4	BRICKA	NORD-LOCK WASHER	NL 13,5x25x3,4	1046440
10	4	GREPPHANDTAG	GRAB HANDLE		5018227
11	3	SKRUV	SCREW	M6SF 8.8 M6x12	1060731
12	6m	SKUMLIST	FOAM STRIP	25x8	5018403
13	1	SIDOLUCKA	SIDE DOOR		5018486
Pos Fig	Ant Qty	Benämning	Description	Dimension	Art. nr Part. nr

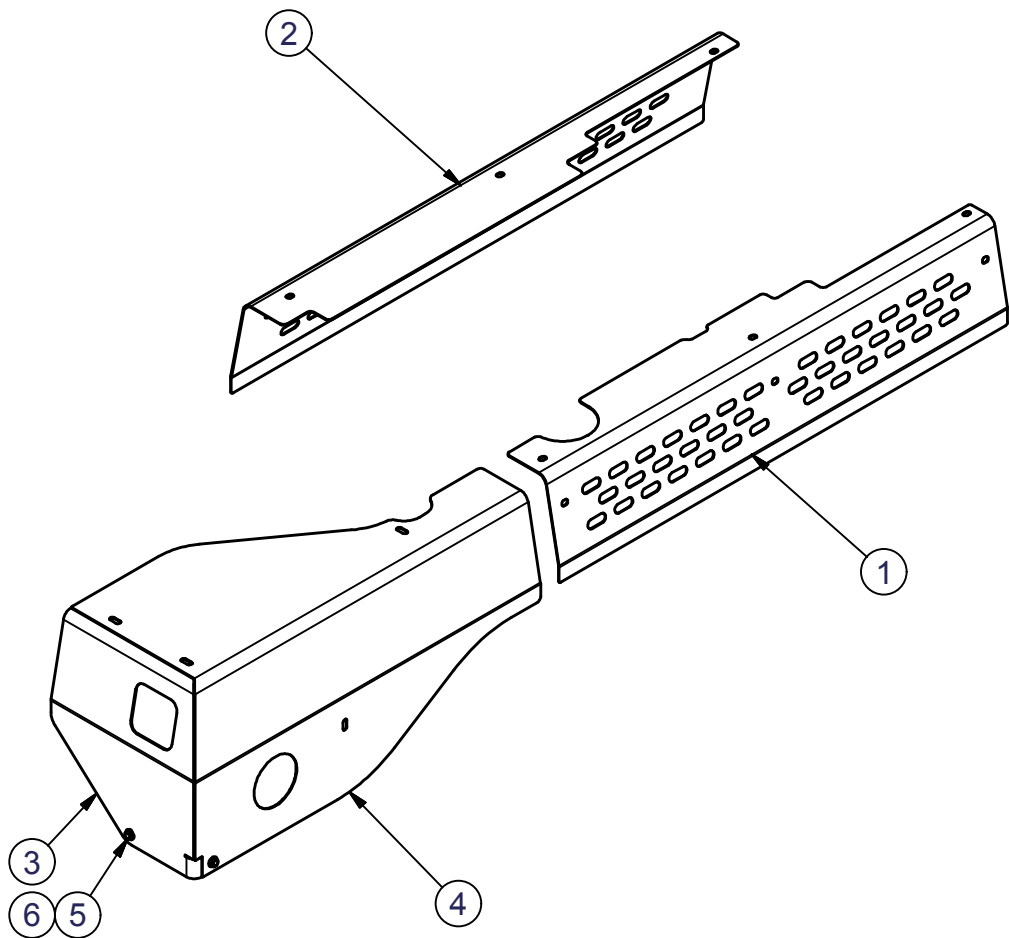
**MOTORHUV KPL.****ENGINE HOOD**

Pos Fig	Ant Qty	Benämning	Description	Dimension	Art. nr Part. nr
------------	------------	-----------	-------------	-----------	---------------------



**MOTORHUV KPL.****ENGINE HOOD**

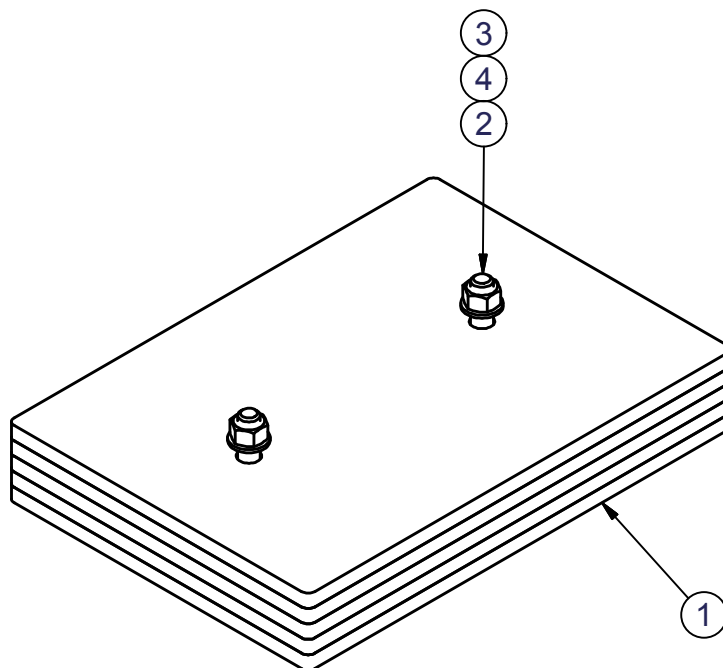
1	1	MOTORHUV	ENGINE COVER		5018260
2	1	LOCK KYLARE	LOCK		5018282
3	1	VÄRMESKYDD	HEAT PROTECTION		5018401
4	23	SKRUV	SCREW	M6SF 8.8 M10x20	4703759
5	22	BRICKA	WASHER	BRB 11x22x2	1043116
6	6	SKRUV	SCREW	M6SF 8.8 M10x25	1060420
7	2	MUTTER	LOCK NUT	LÅSMF 8 M10	1060437
8	1	VÄRMESKYDD	HEAT PROTECTION		5018468
9	1	GUMMIBRICKA	RUBBER WASHER		5018469
Pos Fig	Ant Qty	Benämning	Description	Dimension	Art. nr Part. nr

**SKYDDSATS****COVER KIT**

Pos Fig	Ant Qty	Benämning	Description	Dimension	Art. nr Part. nr
------------	------------	-----------	-------------	-----------	---------------------

**SKYDDSATS****COVER KIT**

1	1	MOTORHUV	HOOD		5018495
2	1	MOTORHUV	HOOD		5018289
3	1	SKYDD	COVER		5018444
4	1	SKYDD	COVER		5018496
5	2	SKRUV	SCREW	M6SF 8.8 M10x25	1060420
6	2	MUTTER	LOCK NUT	LÅSMF 8 M10	1060437
Pos Fig	Ant Qty	Benämning	Description	Dimension	Art. nr Part. nr

**MOTVIKTSSATS****COUNTERBALANCE KIT**

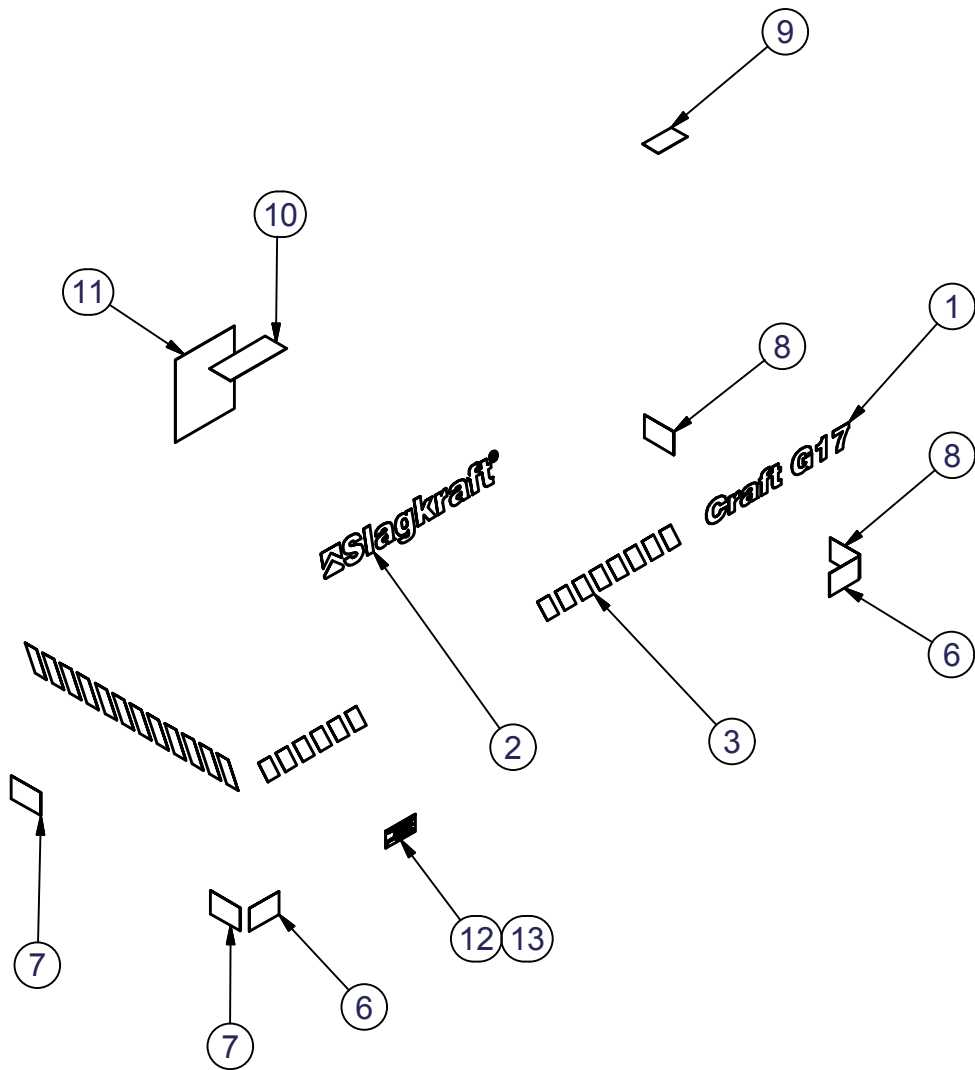
Pos Fig	Ant Qty	Benämning	Description	Dimension	Art. nr Part. nr
------------	------------	-----------	-------------	-----------	---------------------

**MOTVIKTSSATS****COUNTERBALANCE KIT**

1	5	MOTVIKT	COUNTERBALANCE	45kg	5018610
2	2	GÄNGSTÄNG	THREADED ROD	M24	5013114
3	4	BRICKA	WASHER	BRB 25x45x4	1060475
4	4	MUTTER	NUT	M6M 8 M24	1046531
Pos Fig	Ant Qty	Benämning	Description	Dimension	Art. nr Part. nr

## DEKALSATS

## DECAL KIT



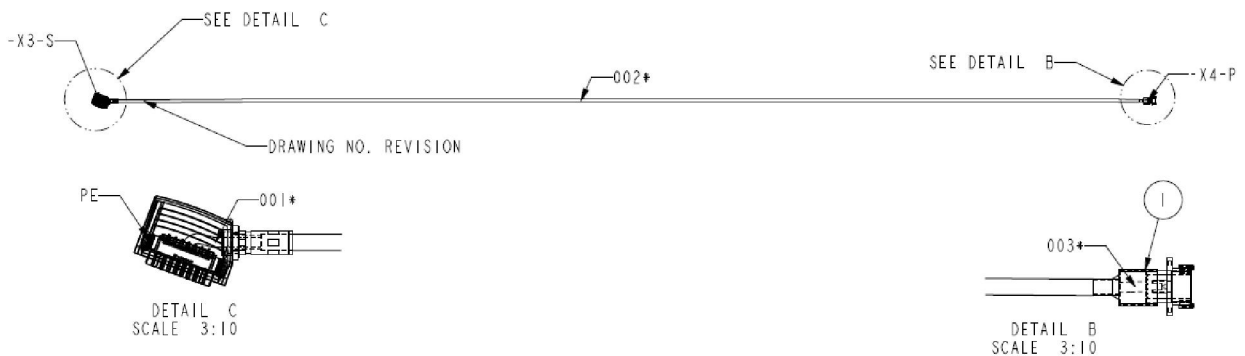
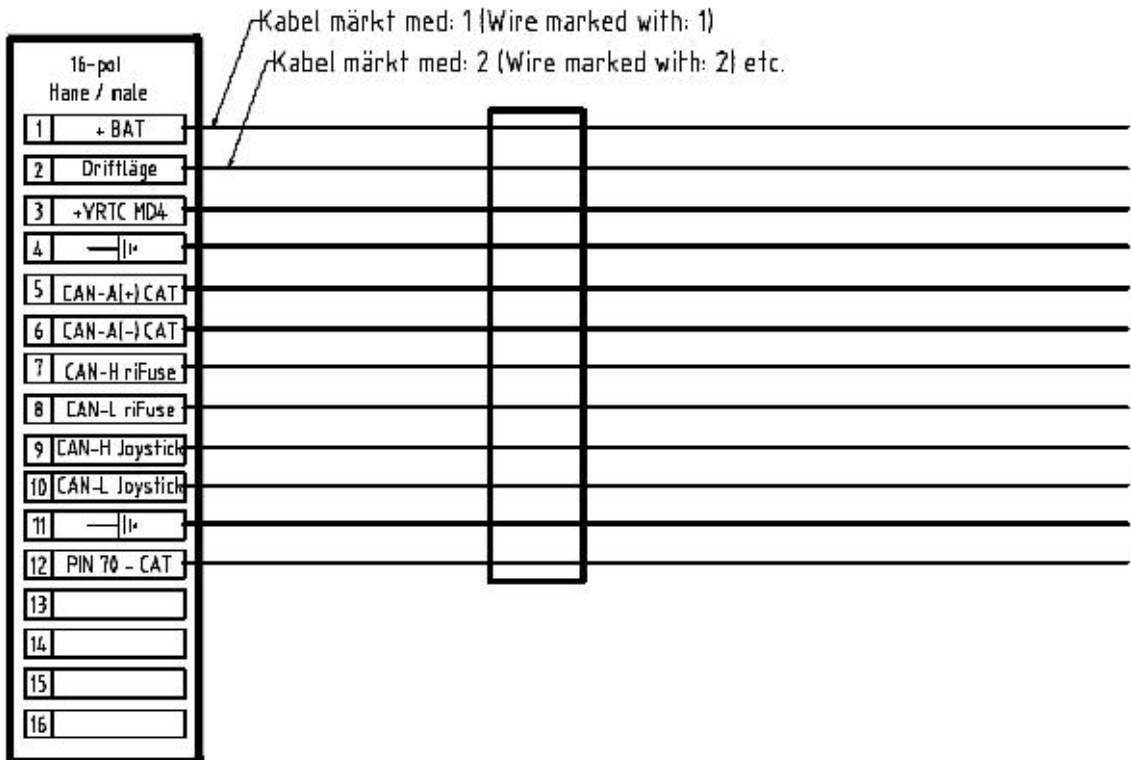
Pos Fig	Ant Qty	Benämning	Description	Dimension	Art. nr Part. nr
---------	---------	-----------	-------------	-----------	------------------

**DEKALSATS****DECAL KIT**

1	1	DEKAL	DECAL	Craft G17	5018601
2	1	DEKAL	DECAL	SLAGKRAFT	5014454
3	3	STRIPE	STRIPE		5014451
6	2	REFLEX ORANGE	REFLEX ORANGE	110x75	1042311
7	2	REFLEX VIT	REFLEX WHITE	110x75	1042312
8	2	REFLEX RÖD	REFLEX RED	110x75	1042313
9	1	DEKAL	DECAL	HOT FLUID	5014437
10	1	DEKAL	DECAL	FILTER INSIDE	5014416
11	1	DEKAL	DECAL	WARNING	5018466
12	1	MASKINSKYLT	TRADEMARK	CE-MARK	5018225
13	4	POPPNIT	RIVET		9989463
Pos Fig	Ant Qty	Benämning	Description	Dimension	Art. nr Part. nr

## MELLANKABEL

## CONNECTION CABLE



Pos Fig	Ant Qty	Benämning	Description	Dimension	Art. nr Part. nr
---------	---------	-----------	-------------	-----------	------------------

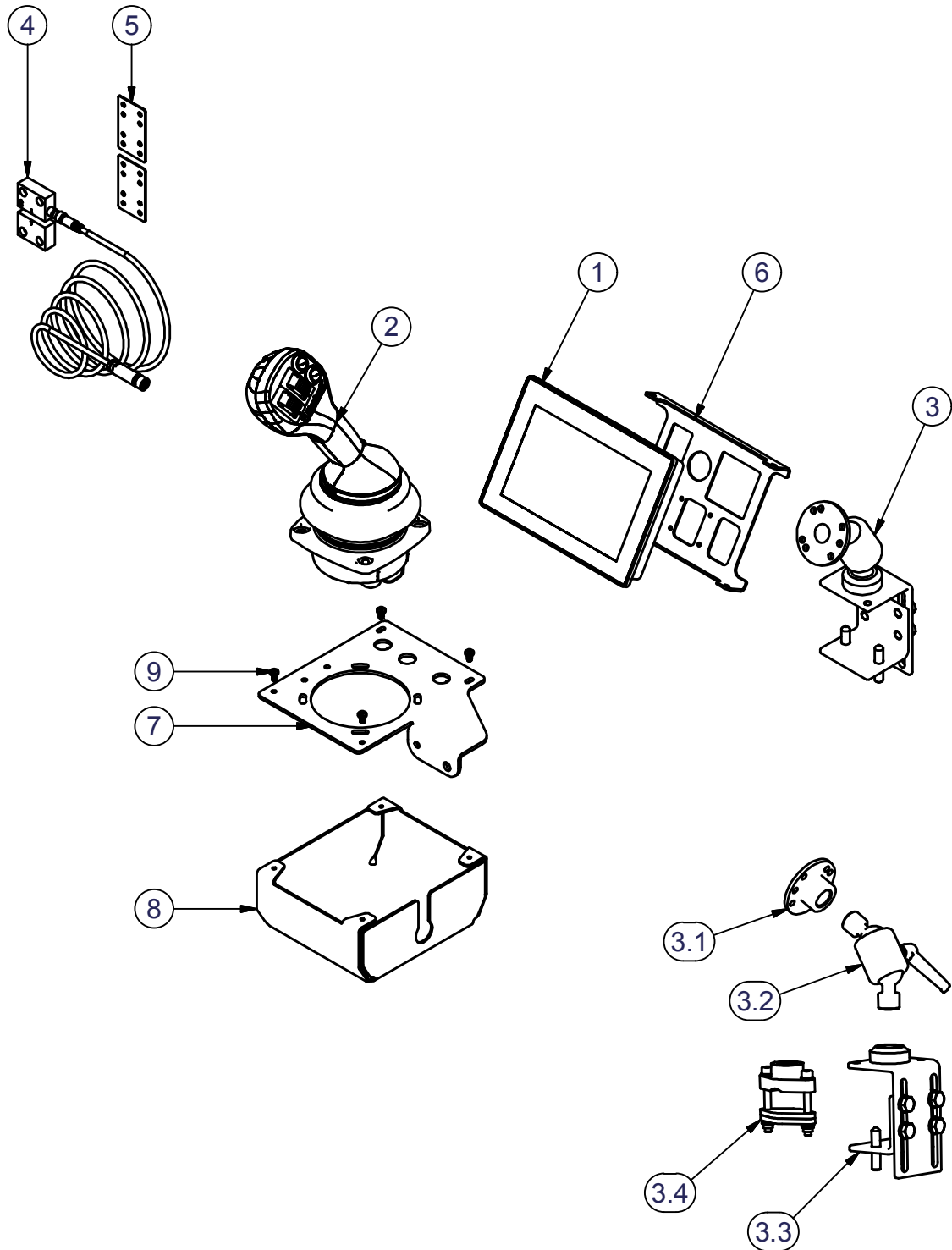


**MELLANKABEL****CONNECTION CABLE**

1	1	MELLANKABEL	CONNECTION CABLE		5018421
Pos Fig	Ant Qty	Benämning	Description	Dimension	Art. nr Part. nr

## HYTTSATS

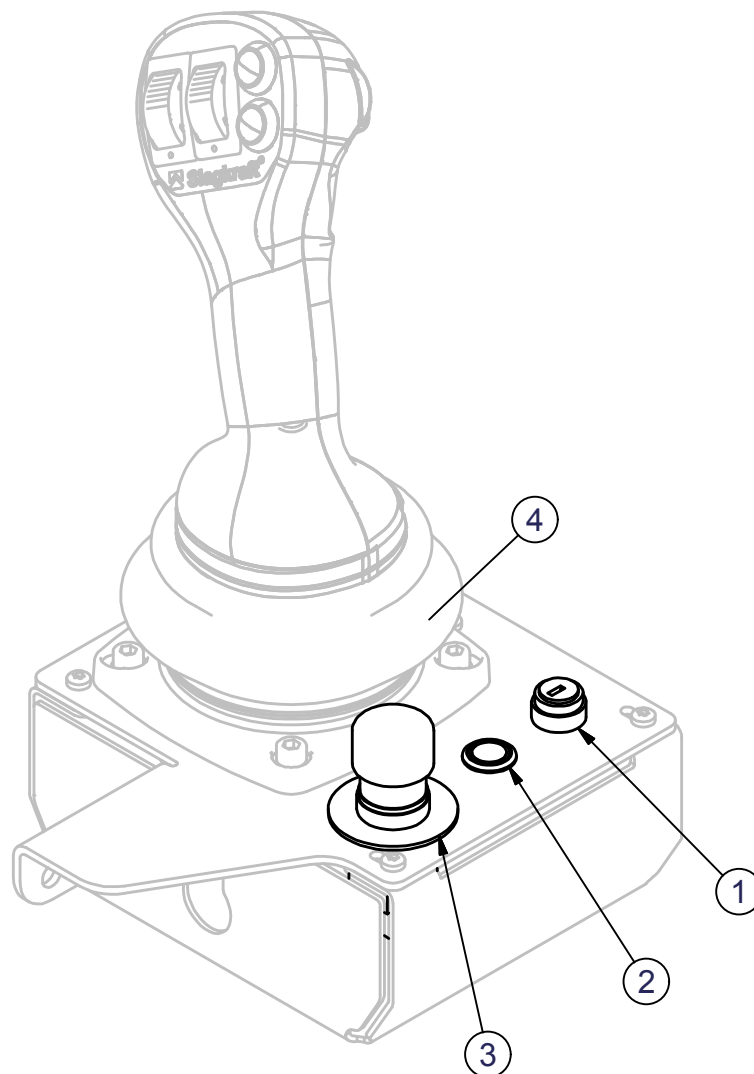
## CAB KIT



Pos Fig	Ant Qty	Benämning	Description	Dimension	Art. nr Part. nr
---------	---------	-----------	-------------	-----------	------------------

**HYTTSAT****CAB KIT**

1	1	MD4 DISPLAY	MD4 DISPLAY		5018219
2	1	JOYSTICK Craft W17	JOYSTICK		5018390
3	1	ZIRKONA KIT	ZIRKONA KIT	incl 3.1-3.4	5018180
3.1	1	FÄSTPLATTA	MOUNTING PLATE		5018181
3.2	1	KULLED MEDIUM	BALL JOINT		5018182
3.3	1	BALKFÄSTE	BRACKET	55-110mm	5018183
3.4	1	RÖRFÄSTE	BRACKET	15-30mm	5018185
4	1	DÖRRBRYTARE KIT	DOOR SWITCH SET		5018140
5	2	FÄSTE	BRACKET	DOOR SWITCH	5018210
6	1	HÅLLARE MD4	BRACKET		5018398
7	1	FÄSTE	MOUNTING		5018458
8	1	SKYDD	COVER		5018459
9	4	SKRUV	SCREW	MRT-TT M4x8	4703786
Pos Fig	Ant Qty	Benämning	Description	Dimension	Art. nr Part. nr

**HYTTINSTALLATION****CAB INSTALLATION**

Pos Fig	Ant Qty	Benämning	Description	Dimension	Art. nr Part. nr
------------	------------	-----------	-------------	-----------	---------------------

**HYTTINSTALLATION****CAB INSTALLATION**

1	1	STARTLÅS	IGNITION LOCK		5018805
2	1	TRYCKKNAPP	PUSHBUTTON		5018811
3	1	NÖDSTOPP	EMERGENCY STOP		5018813
4	1	SUMMER	BUZZER		5018814
Pos Fig	Ant Qty	Benämning	Description	Dimension	Art. nr Part. nr



**Cranab AB  
SE-922 82 VINDELN  
SWEDEN**



**+46-(0)933-135 00**



**+46-(0)933-617 36**

**[www.slagkraft.com](http://www.slagkraft.com)  
[www.cranab.com](http://www.cranab.com)**