

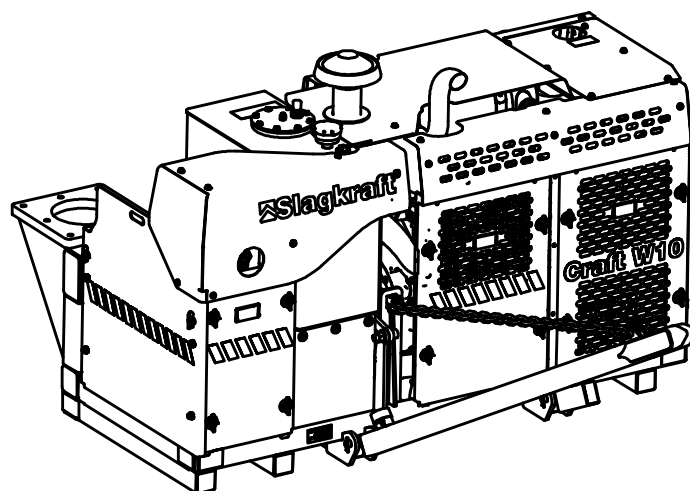


# Reservdelskatalog

Motorpaket  
Craft W10

# Spare parts

Power Pack  
Craft W10



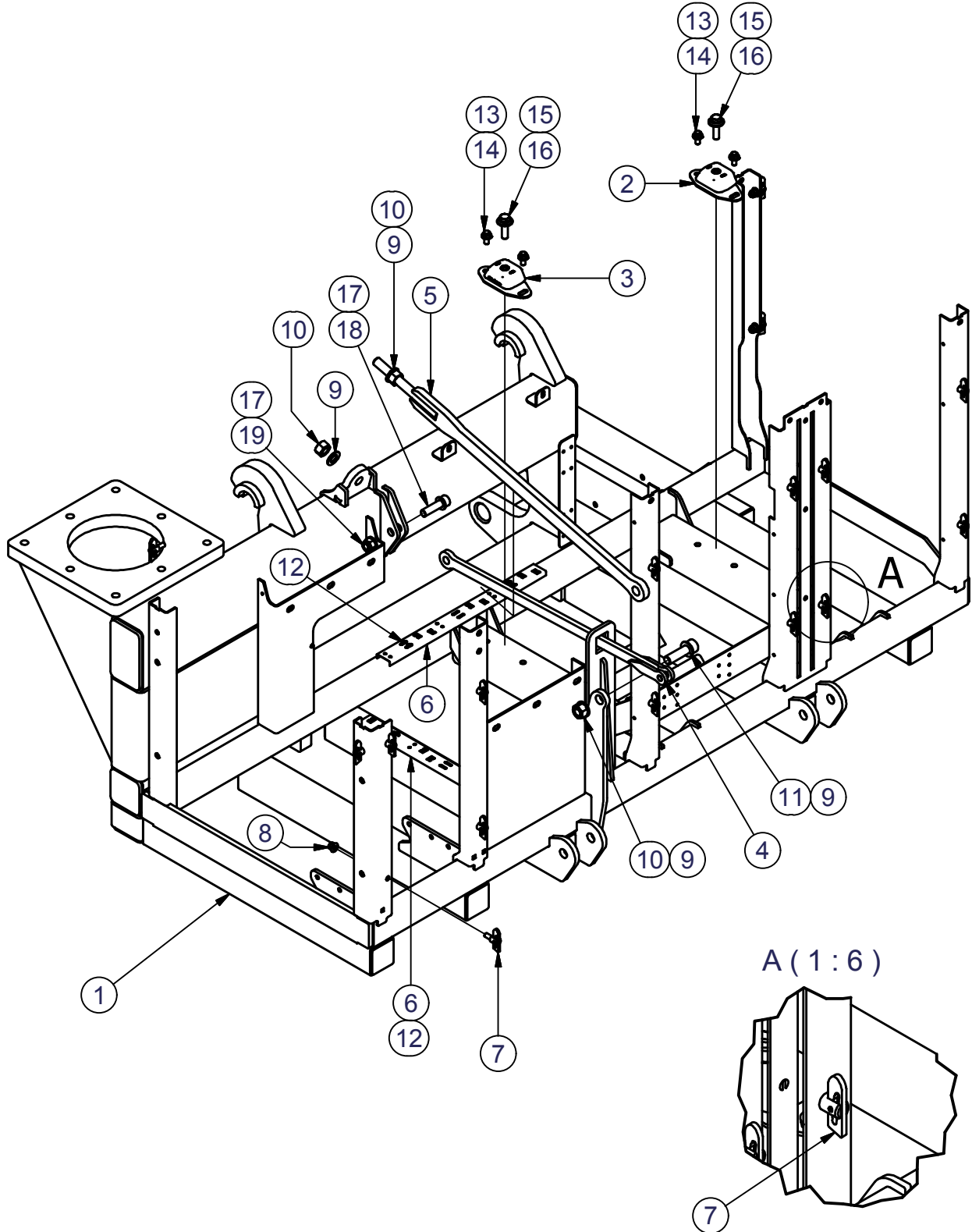
✉ **Cranab AB, SE-922 82 VINDELN, SWEDEN** ☎ **+46-(0)933-617 36**

**Copyright** ©. Alla rättigheter förbehålles, inklusive rätten att reproducera denna bok, eller delar därav, i vilken form som helst, utan skriftligt medgivande från Cranab AB.

**Copyright** © All rights reserved, including the right to reproduce this manual, or parts thereof, in any form whatsoever without the written consent of Cranab AB.

## MOTORRAM KPL.

## ENGINE FRAME



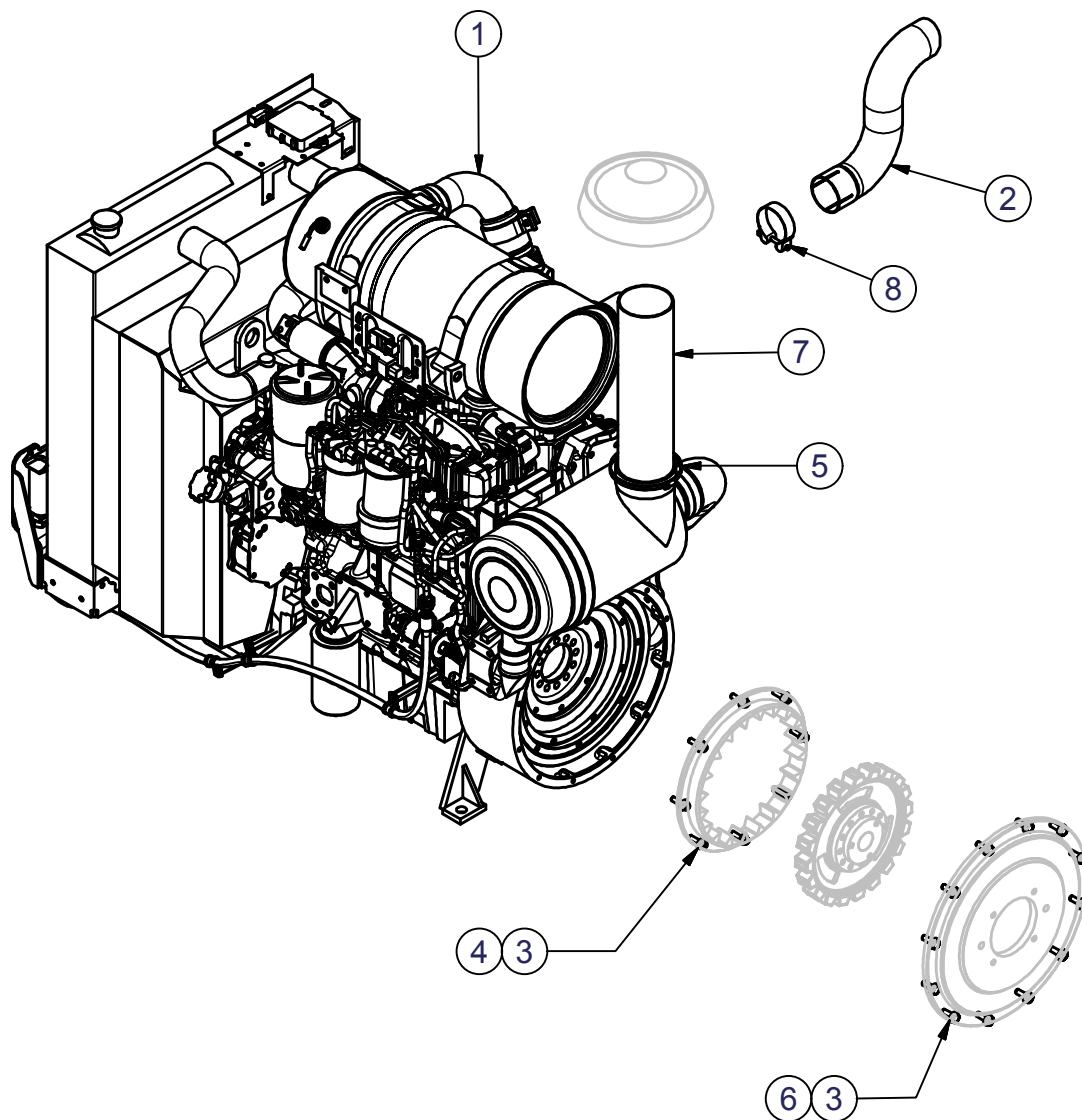
Pos Fig	Ant Qty	Benämning	Description	Dimension	Art. nr Part. nr
---------	---------	-----------	-------------	-----------	------------------

**MOTORRAM KPL.****ENGINE FRAME**

1	1	MOTORRAM	ENGINE FRAME	CRAFT W17	5018410
2	2	MOTORKUDDE	ENGINE PAD	55 SHORE	5018215
3	2	MOTORKUDDE	ENGINE PAD	65 SHORE	5018216
4	1	DRAGSTÅNG	TENSION ROD		5018280
5	1	STRÄV	STAY		5018284
6	2	MONTERINGSPROFIL	PROFILE	50x14x600	5018405
7	16	SPÄRRTAPP	LOCK PIN		5018228
8	16	MUTTER	LOCK NUT	LÅSMF 8 M12	1060769
9	4	BRICKA	WASHER	SBRB 25x44x4	1060368
10	3	MUTTER	NUT	M6M 8 M24	1046531
11	1	SKRUV	SCREW	MC6S 12.9 M24x80	1043181
12	8	SKRUV	SCREW	MF6S 8.8 M6x12	1043186
13	8	BRICKA	NORD-LOCK WASHER	NL 13,5x25x3,4	1046440
14	8	SKRUV	SCREW	M6SF 8.8 M12x25	1060442
15	4	BRICKA	WASHER	TBRBSB 17x42x8	1040853
16	4	SKRUV	SCREW	M6S 8.8 M16x60	76-955368
17	2	BRICKA	WASHER	BRB 21x36x3	1060726
18	1	SKRUV	SCREW	MC6S 12.9 M20x70	1042577
19	1	MUTTER	LOCK NUT	LÅSMH 8 M20	1060725
Pos Fig	Ant Qty	Benämning	Description	Dimension	Art. nr Part. nr

## MOTORSATS

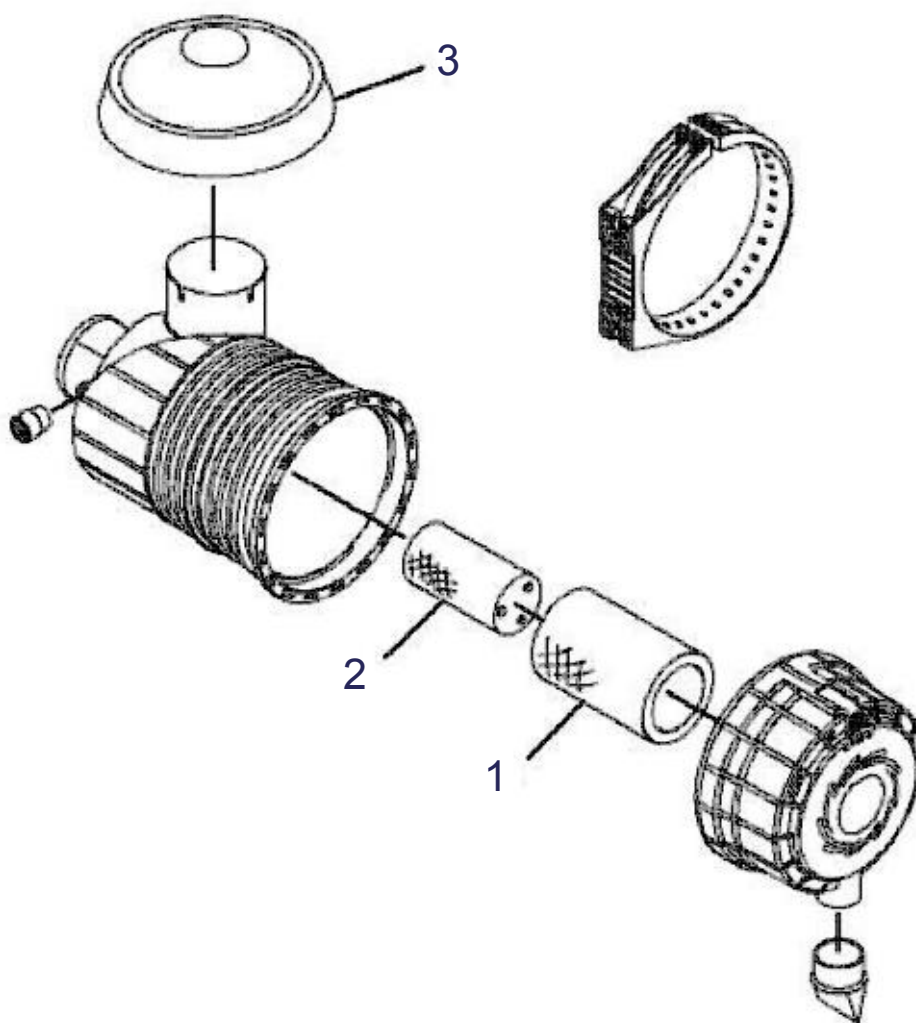
## ENGINE UNIT



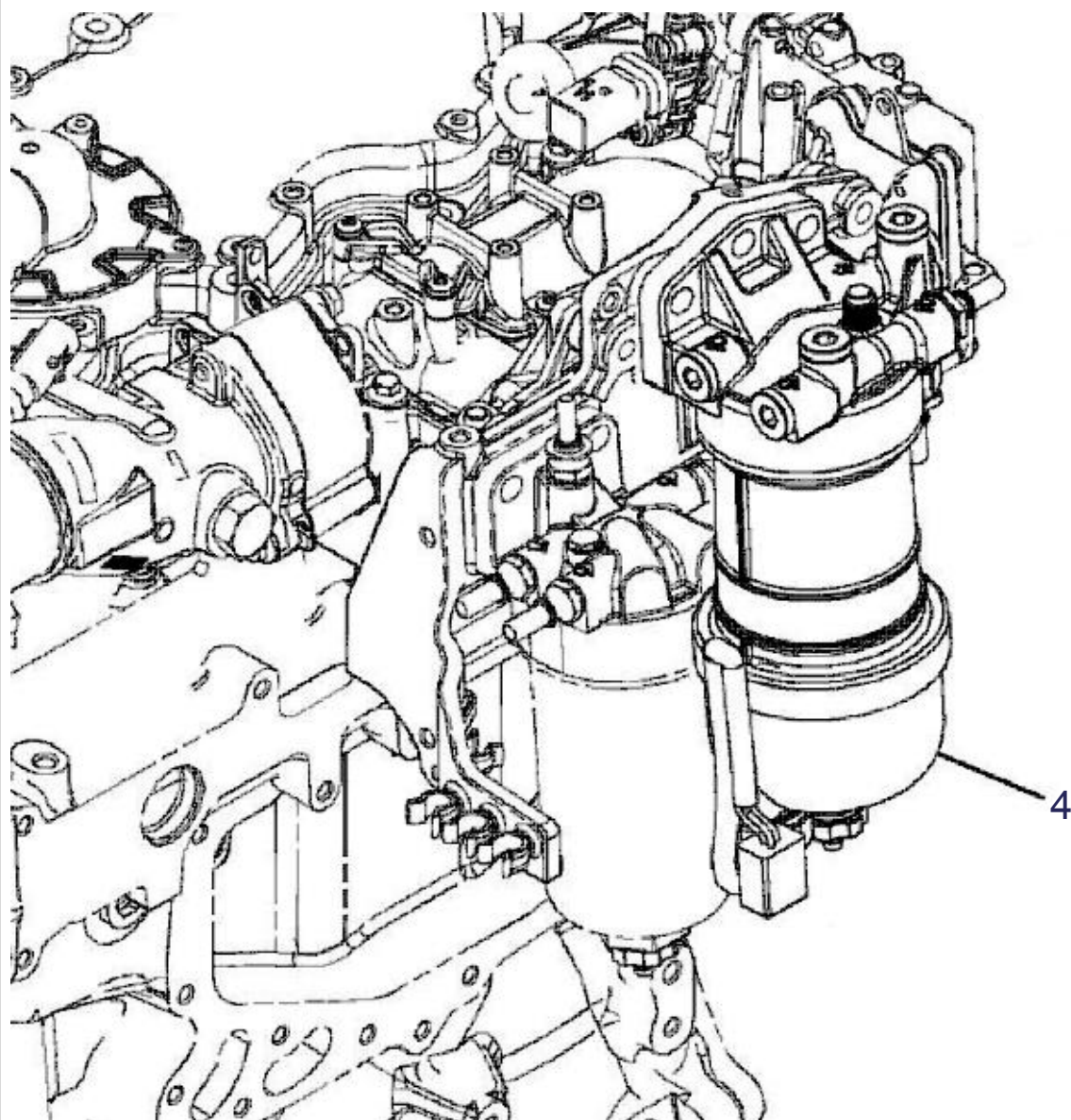
Pos Fig	Ant Qty	Benämning	Description	Dimension	Art. nr Part. nr
---------	---------	-----------	-------------	-----------	------------------

**MOTORSATS****ENGINE UNIT**

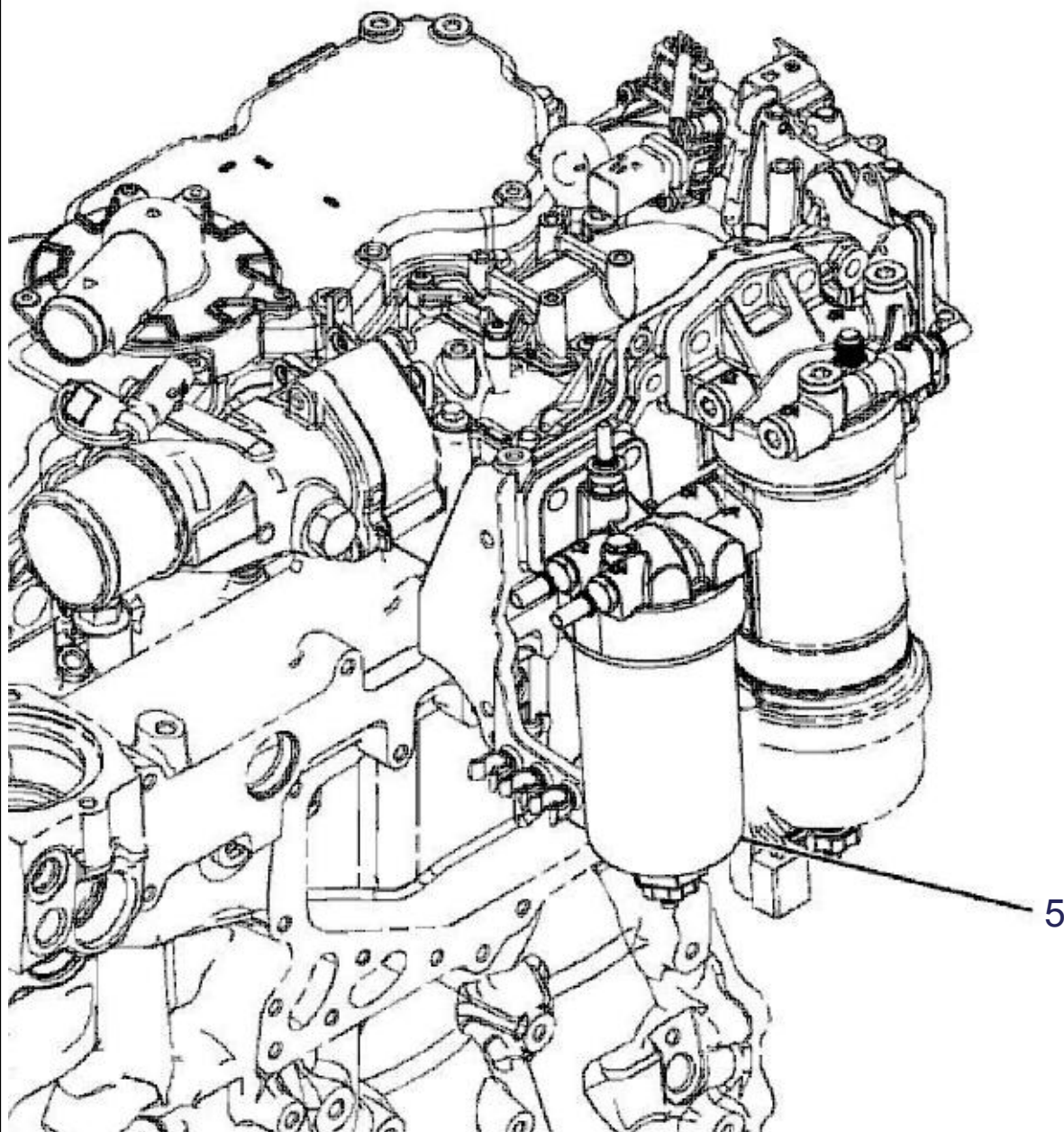
1	1	DIESELMOTOR	DIESEL ENGINE	75kW	5018470
2	1	AVGASRÖR	EXHAUST PIPE		5018658
3	20	BRICKA	WASHER	BRB 11x22x2	1043116
4	8	SKRUV	SCREW	UC6S12.9 UNF3/8-1,25	5018373
5	1	SLANGKLAMMER	CLAMP	ABA 110-136	1060945
6	12	SKRUV	SCREW	M6S 8.8 M10x30	1060705
7	1	FÖRLÄNGARE	EXTENDER		5018274
8	1	KLAMMER	CLAMP	73-79MM	5018354
*	20	GLYKOL	GLYCOL		F03315
*	10	OLJA	OIL	DEO 15W-40	F03310
Pos Fig	Ant Qty	Benämning	Description	Dimension	Art. nr Part. nr

**DIESELMOTOR****DIESEL ENGINE**

Pos Fig	Ant Qty	Benämning	Description	Dimension	Art. nr Part. nr
------------	------------	-----------	-------------	-----------	---------------------

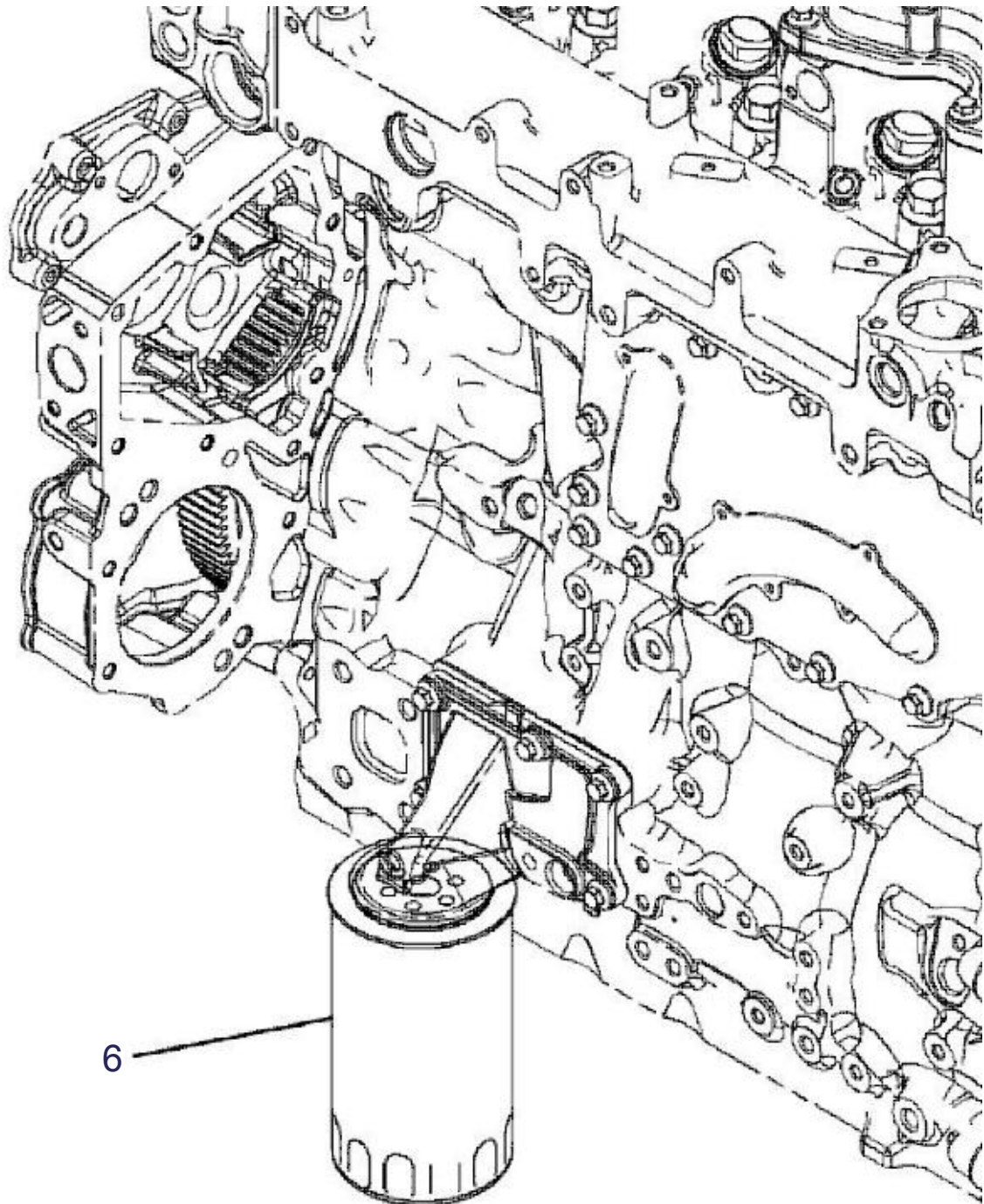
**DIESELMOTOR****DIESEL ENGINE**

Pos Fig	Ant Qty	Benämning	Description	Dimension	Art. nr Part. nr
------------	------------	-----------	-------------	-----------	---------------------

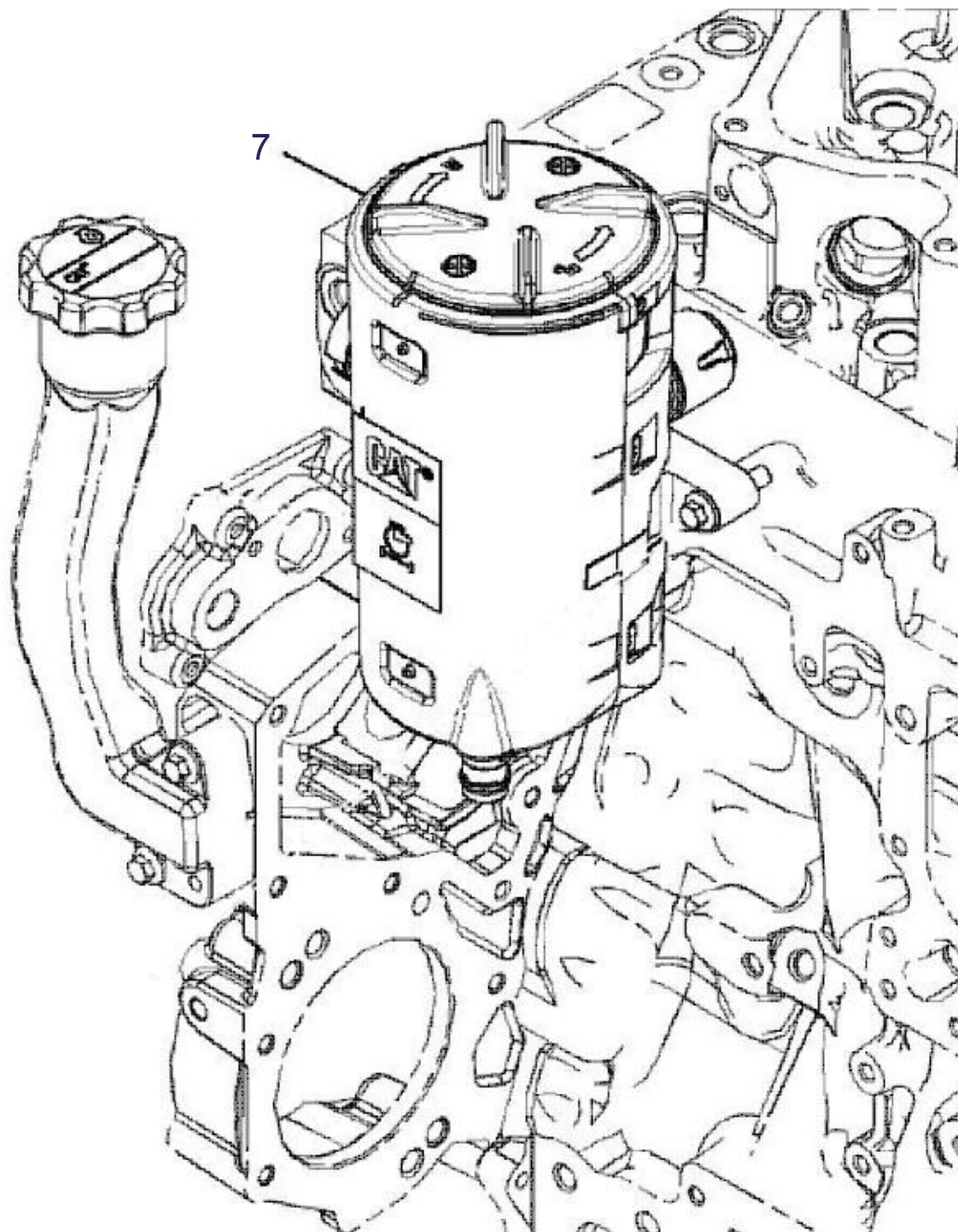
**DIESELMOTOR****DIESEL ENGINE**

Pos Fig	Ant Qty	Benämning	Description	Dimension	Art. nr Part. nr
------------	------------	-----------	-------------	-----------	---------------------



**DIESELMOTOR****DIESEL ENGINE**

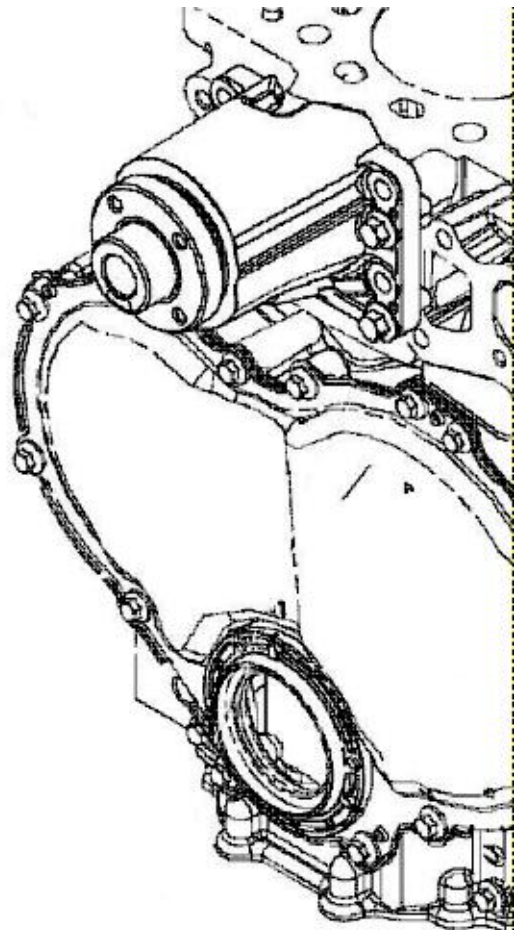
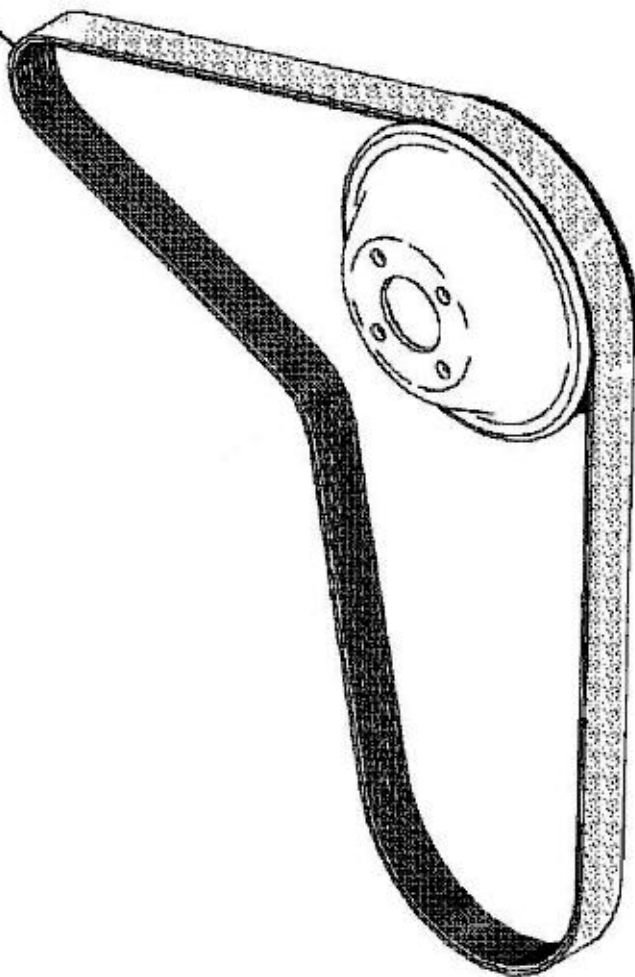
Pos Fig	Ant Qty	Benämning	Description	Dimension	Art. nr Part. nr
------------	------------	-----------	-------------	-----------	---------------------

**DIESELMOTOR****DIESEL ENGINE**

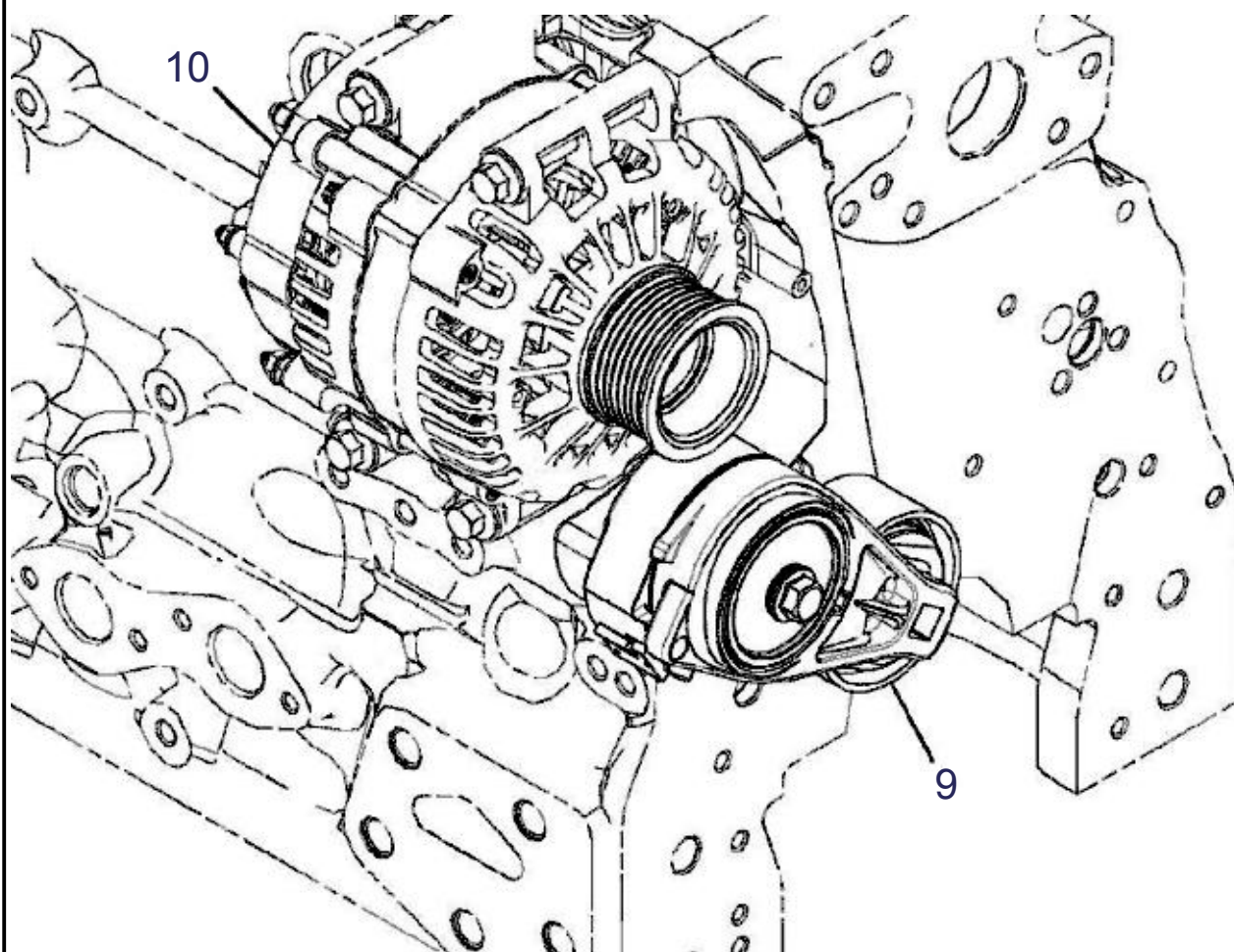
Pos Fig	Ant Qty	Benämning	Description	Dimension	Art. nr Part. nr
------------	------------	-----------	-------------	-----------	---------------------

**DIESELMOTOR****DIESEL ENGINE**

8



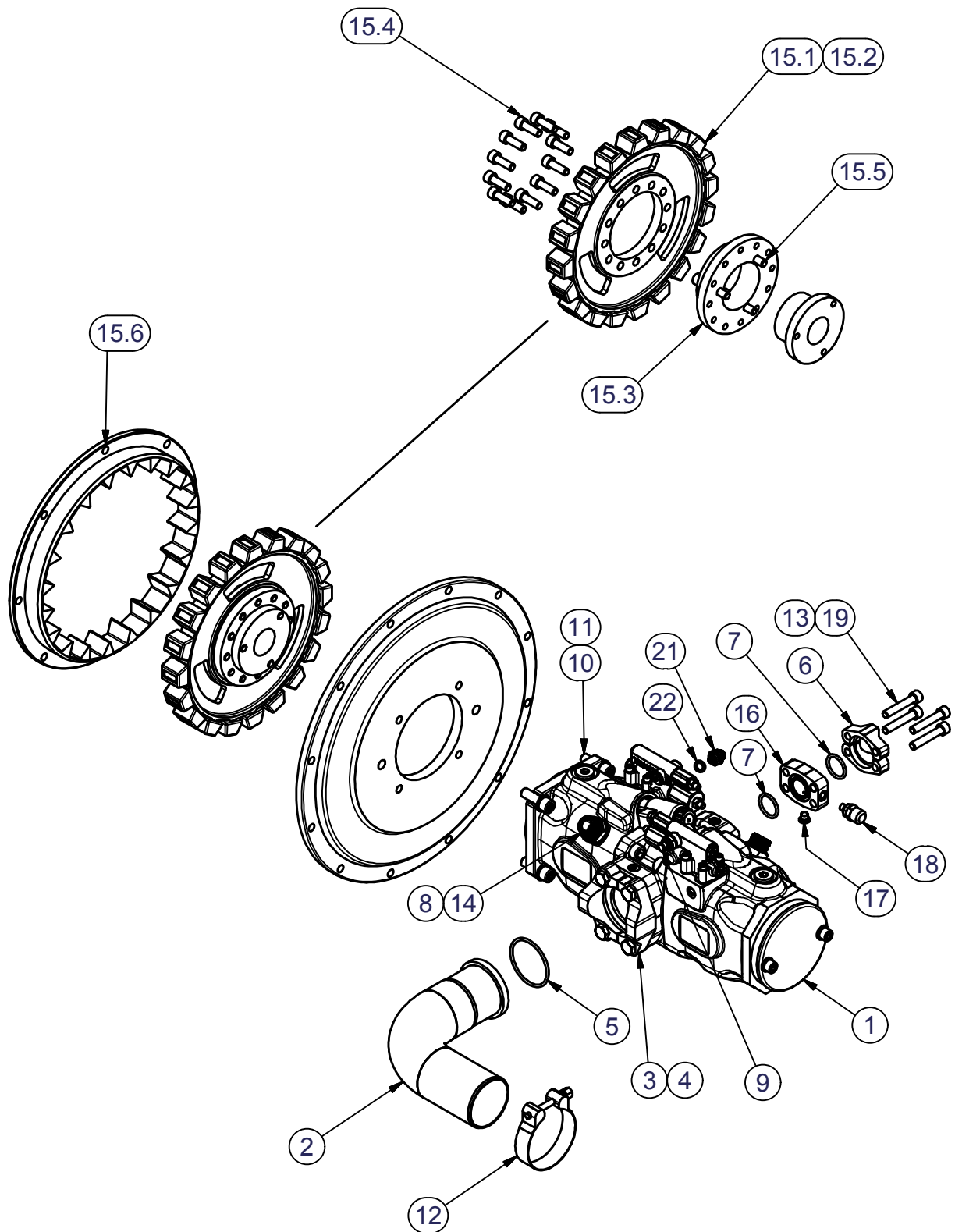
Pos Fig	Ant Qty	Benämning	Description	Dimension	Art. nr Part. nr
------------	------------	-----------	-------------	-----------	---------------------

**DIESELMOTOR****DIESEL ENGINE**

Pos Fig	Ant Qty	Benämning	Description	Dimension	Art. nr Part. nr
------------	------------	-----------	-------------	-----------	---------------------

**DIESELMOTOR****DIESEL ENGINE**

1	1	FILTER	FILTER ELEMENT	AIR PRIMARY	5018472
2	1	FILTER	FILTER ELEMENT	AIR SECONDARY	5018473
3	1	REGNSKYDD	CAP	AIR CLEANER	5018479
4	1	FILTER	FILTER ELEMENT	WATER SEPARATOR	5018474
5	1	FILTER	FILTER ELEMENT	FUEL	5018475
6	1	FILTER	FILTER	ENGINE OIL	5018480
7	1	FILTERSATS	FILTER KIT	FUMES DISPOSAL	5018478
8	1	FLÄKTREM	BELT	SERPENTINE	5018775
9	1	REM STRÄCKARE	BELT TENSIONER		5018484
10	1	GENERATOR	ALTERNATOR	24V, 70A	5018482
*	1	FILTERSATS MOTOR	FITER KIT ENGINE	incl 1,2,4,5,6	5018485
*	10	OLJA	OIL	CAT DEO 15W-40	F03310
Pos Fig	Ant Qty	Benämning	Description	Dimension	Art. nr Part. nr

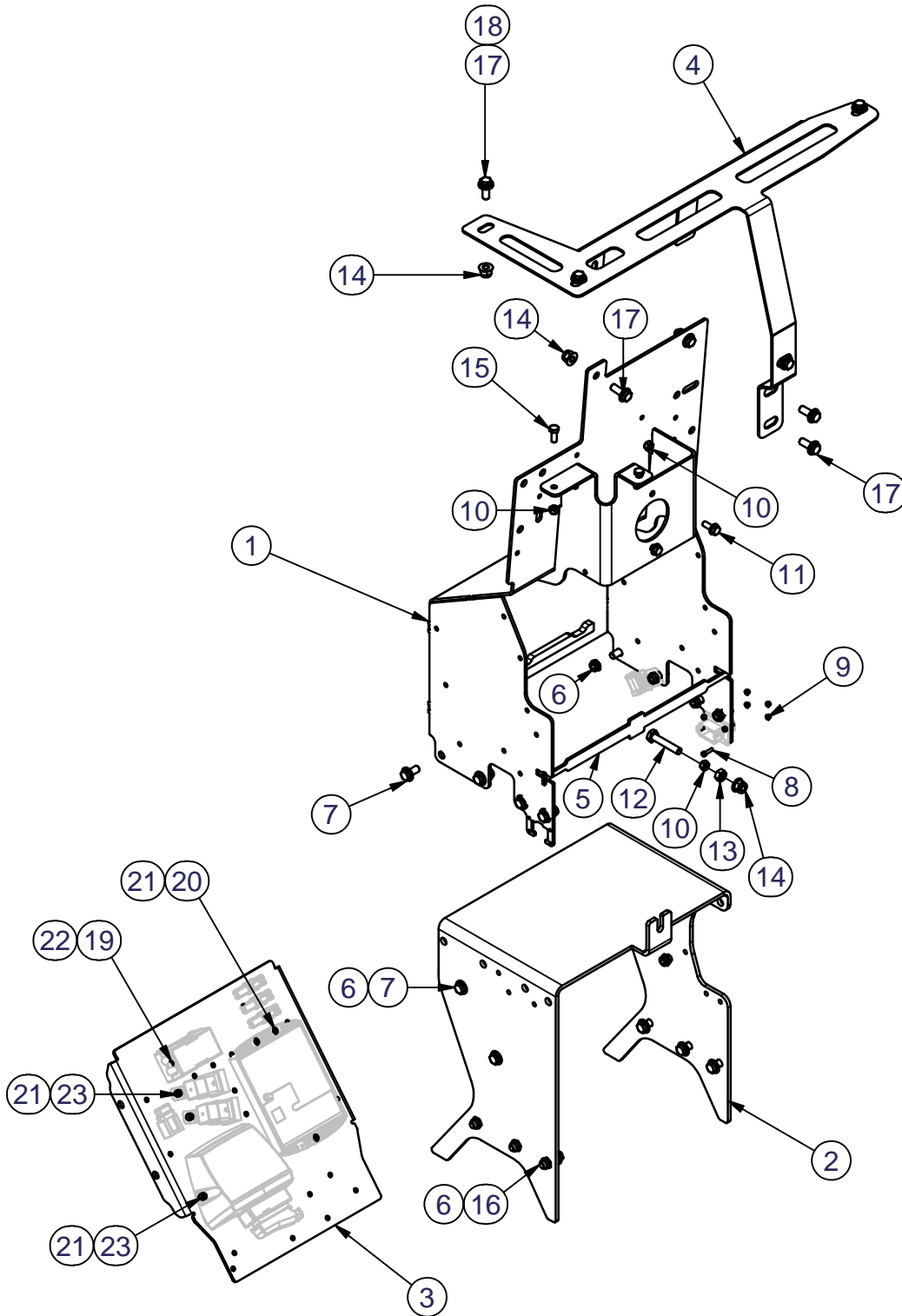
**HYDRAULPUMP KPL****HYDRAULIC PUMP CPL**

**HYDRAULPUMP KPL**
**HYDRAULIC PUMP CPL**

1	1	HYDRAULPUMP	HYDRAULIC PUMP		5018499
2	1	SUGANSLUTNING	SUCTION LINE	W-Serie	5018535
3	2	FLÄNSHALVA	FLANGE	2.1/2"SAE	1039916
4	4	SKRUV	SCREW	M6S 8.8 M12x35	1060425
5	1	O-RING	O-RING	69,44x3,53	1039510
6	4	FLÄNSHALVA	FLANGE	1"SAE	1039874
7	3	O-RING	O-RING	32,93x3,53	1038066
8	2	BRICKA	TREDO SEAL	GSTB 5/8	1038231
9	1	ADAPTER	ADAPTER	7/16"U-1/4"G	4710052
10	4	SKRUV	SCREW	UC6S 12.9 UNC 1/2-1,5	1038116
11	4	BRICKA	WASHER	BRB 13x24x2	1060378
12	1	KLAMMER	CLAMP	83-91MM	5018275
13	4	SKRUV	SCREW	MC6S 12.9 M10x35	1013994
14	2	ADAPTER	ADAPTER	3/4"G-7/8"J	1039585
15.1	20	GUMMIKUDDE	RUBBER PAD		1041333
15.2	1	SPINDEL 11,5"	SPIDER 11,5"		1041332
15.4	12	SKRUV	SCREW	MC6S 8.8 M10x30	1042694
15.5	3	SKRUV	SCREW	MC6S 8.8 M10x50	1061048
15.6	1	DRIVRING 11,5"	COUPLING 11,5"		1041331
16	1	FLÄNS	SPACER	1" SAE	1038609
17	1	PROPP	PLUG	G1/8	1060816
18	1	MÄTUTTAG	GAUGE	G1/8"	1038608
19	4	SKRUV	SCREW	MC6S 12.9 M10x55	1038655
21	1	ADAPTER	ADAPTER	1/8"G-1/4"G	5018660
22	1	BRICKA	TREDO SEAL	GSTB 1/8	947083
Pos Fig	Ant Qty	Benämning	Description	Dimension	Art. nr Part. nr

## ELSKÅP KPL.

## EL BOX



Pos Fig	Ant Qty	Benämning	Description	Dimension	Art. nr Part. nr
---------	---------	-----------	-------------	-----------	------------------

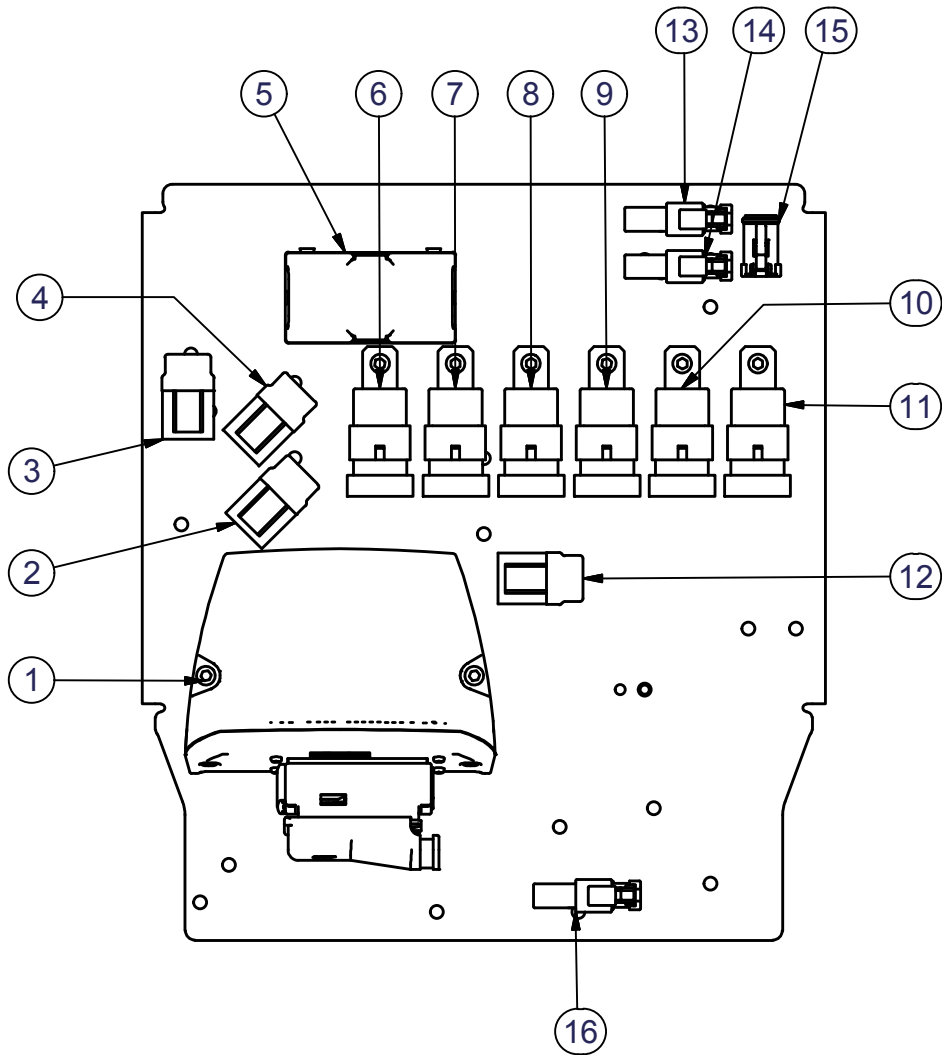


**ELSKÅP KPL.**
**EL BOX**

1	1	BATTERISKÅP	BATTERY BOX		5018306
2	1	BATTERIHYLLA	BATTERY SHELF		5018312
3	1	SVEP	SWEEP		5018461
4	1	SKELETT KÅPOR	FRAME		5018442
5	1	PLÅT BATTERILÅS	LOCK		5018311
6	18	MUTTER	LOCK NUT	LÅSML 8 M10	1005586
7	14	SKRUV	SCREW	M6SF 8.8 M10x20	4703759
8	4	SKRUV	SCREW	MC6S 8.8 M4x16	1047952
9	4	MUTTER	LOCK NUT	LÅSML 8 M4	1043770
10	4	MUTTER	LOCK NUT	LÅSML 8 M8	1038215
11	2	SKRUV	SCREW	M6SF 8.8 M8x20	1060600
12	1	SKRUV	SCREW	M6S 8.8 M10x55	1061257
13	1	MUTTER	NUT	M6M 8 M10	1060706
14	7	MUTTER	LOCK NUT	LÅSMF 8 M10	1060437
15	2	SKRUV	SCREW	M6S 8.8 M8x20	1060815
16	6	SKRUV	SCREW	M6SF 8.8 M10x30	1060804
17	8	SKRUV	SCREW	M6SF 8.8 M10x25	1060420
18	4	BRICKA	WASHER	BRB 11x22x2	1043116
19	2	SKRUV	SCREW	MC6S 8.8 M5x16	
20	3	SKRUV	SCREW	MC6S 8.8 M6x25	1060928
21	7	MUTTER	LOCK NUT	LÅSML 8 M6	1043785
22	2	MUTTER	LOCK NUT	LÅSML 8 M5	1043777
23	4	SKRUV	SCREW	MC6S 8.8 M6x16	1043090
Pos Fig	Ant Qty	Benämning	Description	Dimension	Art. nr Part. nr

EL W10

ELECTRIC W10

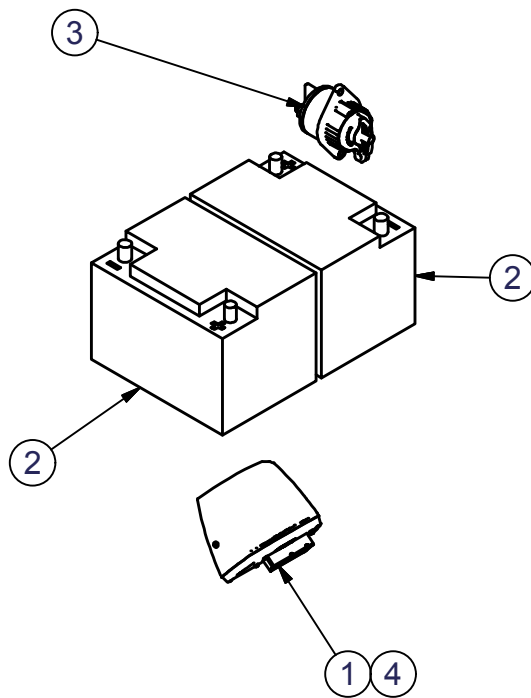


Pos Fig	Ant Qty	Benämning	Description	Dimension	Art. nr Part. nr
---------	---------	-----------	-------------	-----------	------------------

**EL W10**
**ELECTRIC W10**

1	1	IQAN XA-2	IQAN XA-2		4702653
2	1	F5 SÄKRING	F5 SÄKRING	10A, CRANE LIGHT	1046952
3	1	F1 SÄKRING	F1 FUSE	10A, IGNITION	1046952
4	1	F4 SÄKRING	F4 FUSE	10A, IQAN-XA2	1046952
5	1	F2 SÄKRING	F2 FUSE	30A, ENGINE	5018790
6	1	K12 RELÄ	K12 RELAY	CRANE LIGHT	5018789
7	1	K1 RELÄ	K1 RELAY	STOP ENGINE	5018789
8	1	K10 RELÄ	K10 RELAY	STARTER	5018789
9	1	K11 RELÄ	K11 RELAY	IQAN-XA2	5018789
10	1	K5 RELÄ	K5 RELAY	FAN 1	5018789
11	1	K7 RELÄ	K7 RELAY	FAN 2	5018789
12	1	F7 SÄKRING	F7 FUSE	30A, FAN 1+2	1049362
13	1	R3 MOTSTÅND	R3 RESISTOR	180Ω LEVEL SENSOR	5018779
14	1	R5 MOTSTÅND	R5 RESISTOR	1kΩ LIFT PUMP	5018778
15	1	R1+R6 MOTSTÅND (X6-S)	R1+R6 RESISTOR (X6-S)	100Ω ALTERNATOR + 1,5kΩ IQAN-MD4	5018791
16	1	X5-S KONTAKT	X5-S PLUG	OPTION WORK LIGHT	
		EJ PÅ BILD	NOT SHOWED		
	1	R7 MOTSTÅND (X1)	R7 RESISTOR (X1)	120Ω CAN J1939	5018788
	1	R4 MOTSTÅND (X9)	R4 RESISTOR (X9)	120Ω SOOT SENSOR	5018788
	1	R8 MOTSTÅND (X11)	R8 RESISTOR (X11)	120Ω CAT ECU	5018788
		OPTION GPS	OPTION GPS		
	1	K14 RELÄ	K14 RELAY		5018789
		OPTION BELYSNING	OPTION WORK LIGHT		
	1	K13 RELÄ	K13 RELAY		5018789
	1	F6 SÄKRING	F6 FUSE	10A, WORK LIGHT	1046952
Pos Fig	Ant Qty	Benämning	Description	Dimension	Art. nr Part. nr



**ELSATS****ELECTRIC KIT**

Pos Fig	Ant Qty	Benämning	Description	Dimension	Art. nr Part. nr
------------	------------	-----------	-------------	-----------	---------------------

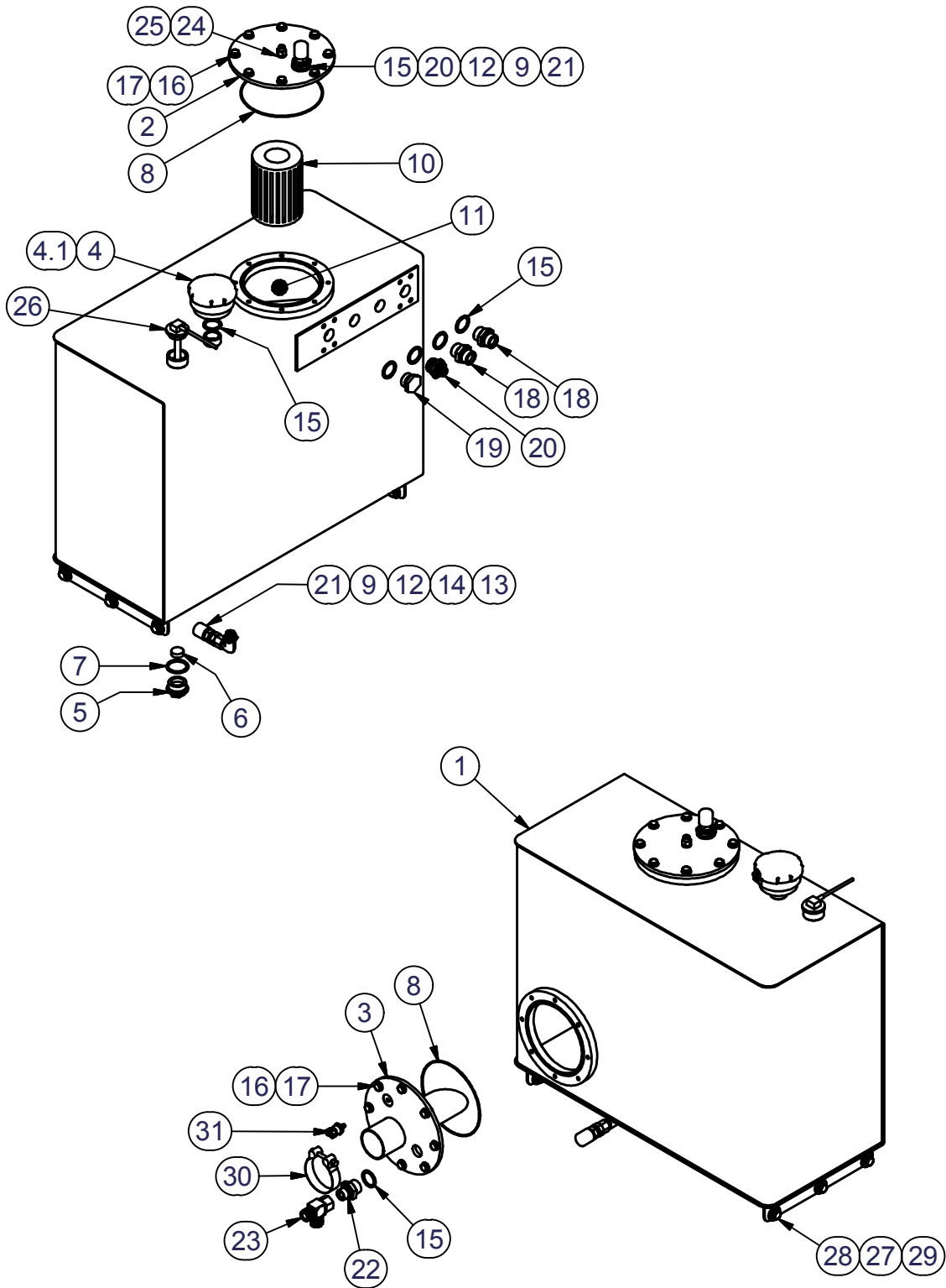
**ELSATS****ELECTRIC KIT**

1	1	IQAN XA2 FÖRSTÄRKARE	IQAN XA2 CONTROLLER		4702653
2	2	BATTERI	ACCUMULATOR	12V 60Ah	1039265
3	1	HUVUDSTRÖMBRYTARE	BATTERY DISCONNECT	HBD31	5018217
4	1	KABLAGESATS	HARNESS CIT		5018515
Pos Fig	Ant Qty	Benämning	Description	Dimension	Art. nr Part. nr



## HYDRAULOLJETANK KPL

## HYDRAULIC RESERVOIR CPL

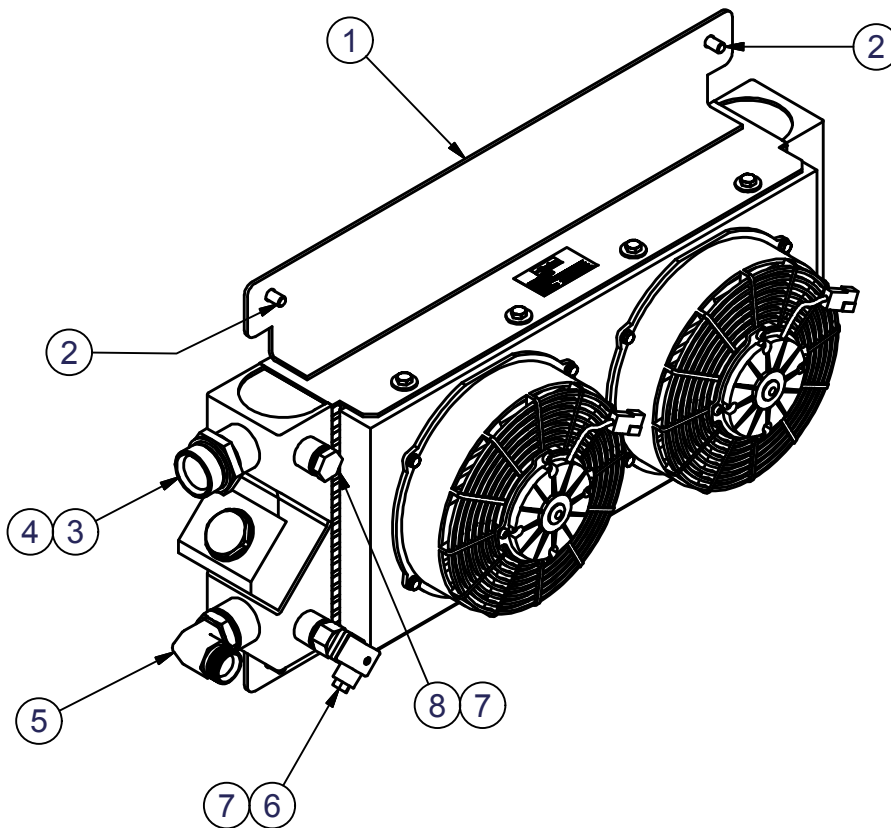


Pos Fig	Ant Qty	Benämning	Description	Dimension	Art. nr Part. nr
---------	---------	-----------	-------------	-----------	------------------

**HYDRAULOLJETANK KPL**
**HYDRAULIC RESERVOIR CPL**

1	1	HYDRAULOLJETANK	TANK		5018230
2	1	LOCK	COVER	t=10mm	5013078
3	1	SUGANSLUTNING	SUCTION LINE		5018504
4	1	ANDNINGSFILTER	FILTER HOUSING	incl. 4.1	5018213
4.1	1	FILTER	FILTER		5018214
5	1	MAGNETPROPP	MAGNETIC PLUG	G 1.1/4	5012045
6	1	MAGNET	MAGNET		1043314
7	1	BRICKA	TREDO SEAL	GSTB 1.1/4	1005388
8	2	O-RING	O-RING	189,5x3	1048982
9	2	SNABBKOPPLING HANE	TEMA 5000 male	G1/2	1046267
10	2	FILTERPATRON	FILTER CARTRIDGE		1046127
11	1	BYPASS VENTIL KPL.	BYPASS VALVE		1046126
12	2	BRICKA	TREDO SEAL	GSTB 1/2	1001957
13	1	ADAPTER	ADAPTER	1/2"R-1/2"G	9606548
14	1	ADAPTER	ADAPTER	1/2"RSF-1/2"G	1039718
15	7	BRICKA	TREDO SEAL	GSTB 1	1005370
16	16	BRICKA	WASHER	BRB 11x22x2	1043116
17	16	SKRUV	SCREW	M6S 8.8 M10x20	1060729
18	2	ADAPTER	ADAPTER	1"G-1"G	5001014
19	1	PLUGG	PLUG	1"G	1040492
20	2	ADAPTER	ADAPTER	1/2"G-1"G	1039544
21	2	SKYDD	COVER	G1/2	1049220
22	1	ADAPTER	ADAPTER	3/4"G-1"G	1038009
23	1	ADAPTER	ADAPTER	3/4"RSF-3/4"G	1041818
24	1	BRICKA	TREDO SEAL	GSTB 1/4	1039494
25	1	FILTERVAKT	GAUGE	2,5bar	1049857
26	1	NIVÅVAKT	LEVER SENSOR	S3-300	1046300
27	6	BRICKA	WASHER	TBRBSB 13,5x36x6	1041235
28	6	SKRUV	SCREW	M6S 8.8 M12x35	1060425
29	3	MUTTER	LOCK NUT	LÄSMF 8 M12	1060769
30	1	KLAMMER	CLAMP	83-91MM	5018275
31	1	TEMPERATURGIVARE	TEMP. SENSOR	M10	5018218
Pos Fig	Ant Qty	Benämning	Description	Dimension	Art. nr Part. nr



**KYLSYSTEM****COOLING SYSTEM**

Pos Fig	Ant Qty	Benämning	Description	Dimension	Art. nr Part. nr
------------	------------	-----------	-------------	-----------	---------------------

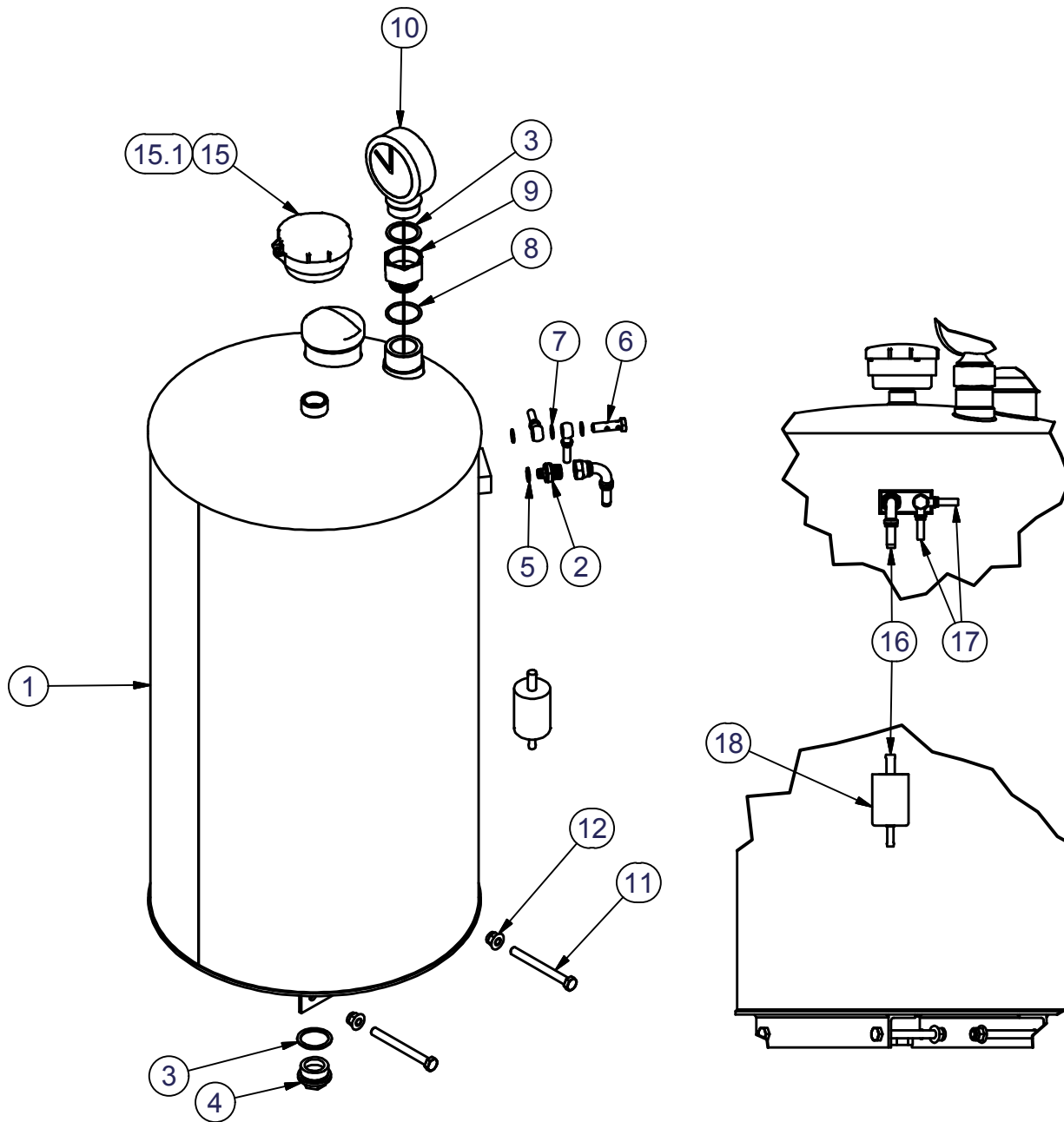


**KYLSYSTEM****COOLING SYSTEM**

1	1	HYDRAULOLJEKYLARE	HYDRAULIC OIL COOLER		5018250
2	4	SKRUV	SCREW	M6SF 8.8 M10x20	4703759
3	1	ADAPTER	ADAPTER	1"G-1.1/2"G	1038173
4	1	BRICKA	TREDO SEAL	GSTB 1	1005370
5	1	ADAPTER	ADAPTER	1"R-1"G	1041839
6	1	TERMOSTAT	TERMO SWITCH	60°C	5018659
7	2	BRICKA	TREDO SEAL	GSTB 1/2	1001957
8	1	PLUGG	PLUG	1/2"G	1040690
Pos Fig	Ant Qty	Benämning	Description	Dimension	Art. nr Part. nr

## DIESELTANK KPL

## FUELTANK CPL

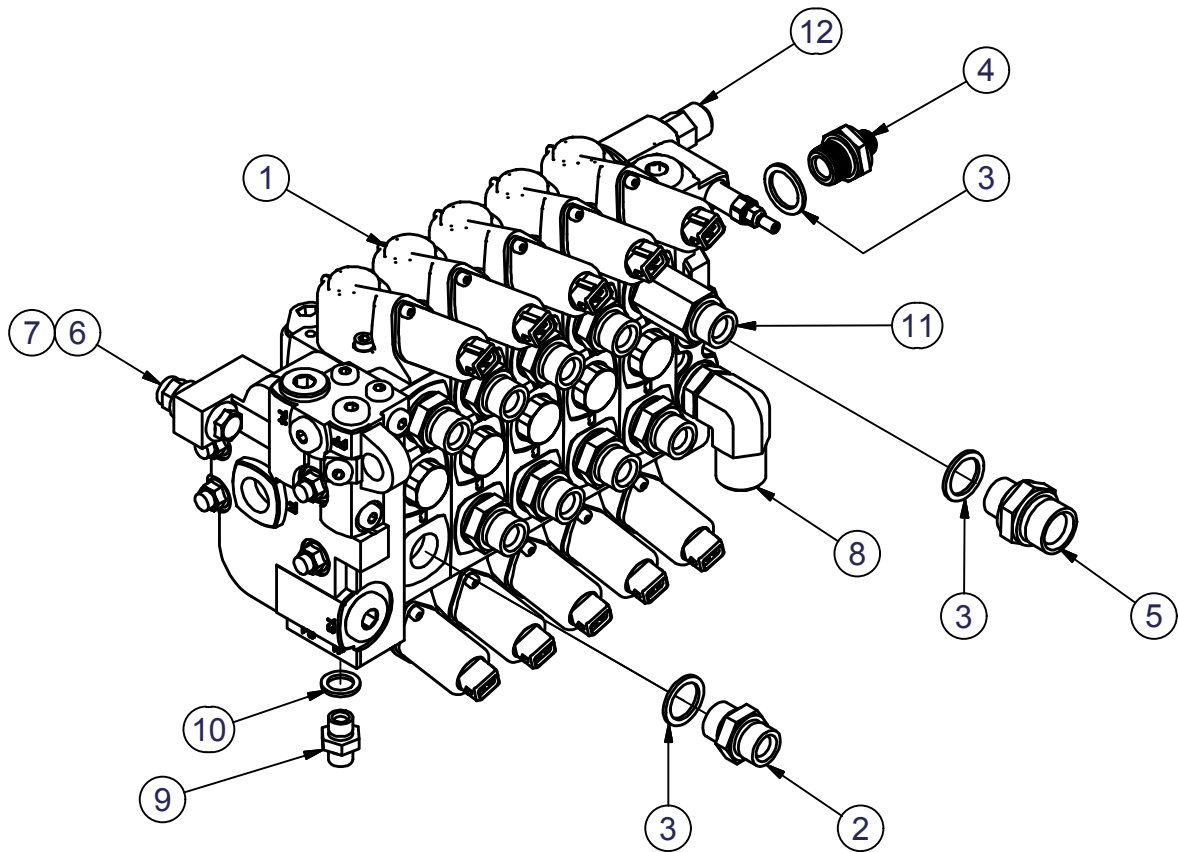


Pos Fig	Ant Qty	Benämning	Description	Dimension	Art. nr Part. nr
---------	---------	-----------	-------------	-----------	------------------

**DIESELTANK KPL**
**FUELTANK CPL**

1	1	DIESELTANK 150 LITER	FUELTANK 150 LITER		5017970
2	1	ADAPTER	ADAPTER	1/4"G-1/2"G	1039692
3	2	BRICKA	TREDO SEAL	GSTB 1.1/4	1005388
4	1	MAGNETPROPP	MAGNETIC PLUG	G 1.1/4	5012045
5	1	BRICKA	TREDO SEAL	GSTB 1/4	1039494
6	1	BANJOBULT	BANJOBULT	G1/4	5018397
7	3	KOPPARBRICKA	Copper seal	M14	1039115
8	1	O-RING 47,22x3,53	O-RING 47,22x3,53		1038249
9	1	ADAPTER	ADAPTER	1.1/4"G-1.1/2"RF	5017976
10	1	NIVÅMÄTARE	LEVER GAUGE	Mano-Clock Multi	5017975
11	4	SKRUV	SCREW	M6S 8.8 M12x120	1060404
12	4	MUTTER	LOCK NUT	LÅSMF 8 M12	1060769
15	1	ANDNINGSFILTER	FILTER HOUSING	incl. 15.1	5018213
15.1	1	FILTER	FILTER		5018214
16	1	HYDRAULSLANG	HYDRAULIC HOSE	1 1/2 490	5018394
17	2	HYDRAULSLANG	HYDRAULIC HOSE	1 3/8 1900	5018395
18	1	FILTER	FILTER		5018476
Pos Fig	Ant Qty	Benämning	Description	Dimension	Art. nr Part. nr

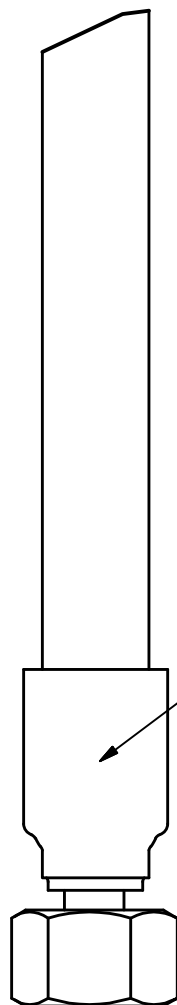
**MANÖVERVENTIL  
CONTROL VALVE**



Pos Fig	Ant Qty	Benämning	Description	Dimension	Art. nr Part. nr
------------	------------	-----------	-------------	-----------	---------------------

**MANÖVERVENTIL  
CONTROL VALVE**

1	1	VENTIL	VALVE		5018525
2	9	ADAPTER	ADAPTER	1/2"G-1/2"G	1060701
3	13	BRICKA	TREDO SEAL	GSTB 1/2	1001957
4	1	ADAPTER	ADAPTER	1/4"G-1/2"G	1039692
5	1	ADAPTER	ADAPTER	1/2"G-3/4"G	1060701
6	3	MUTTER	LOCK NUT	LÅSMF 8 M10	1060437
7	3	SKRUV	SCREW	M6SF 8.8 M10x40	4705987
8	1	ADAPTER	ADAPTER	1/2"R-3/4"G	1041736
9	1	ADAPTER	ADAPTER	1/4"R-1/4"R	1039676
10	1	BRICKA	TREDO SEAL	GSTB 1/4	1039494
11	1	ADAPTER	ADAPTER	1/2"G-1/2"G	1015957
12	1	MÄTNIPPEL G1/4 ED	GAUGE NIPPLE G1/4	G1/4	1038587
Pos Fig	Ant Qty	Benämning	Description	Dimension	Art. nr Part. nr

**SLANGSATS****HOSE KIT**Artikelnummer /  
Partnumber

Pos Fig	Ant Qty	Benämning	Description	Dimension	Art. nr Part. nr
------------	------------	-----------	-------------	-----------	---------------------



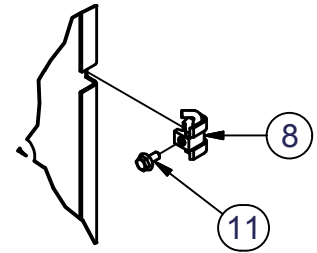
**SLANGSATS****HOSE KIT**

1	2	HYDRAULSLANG	HYDRAULIC HOSE	2 1/2 1700	5018336
2	4	HYDRAULSLANG	HYDRAULIC HOSE	2 1/2 2200	5018326
3	2	HYDRAULSLANG	HYDRAULIC HOSE	2 1/2 2300	5018327
4	1	HYDRAULSLANG	HYDRAULIC HOSE	2 1/2 3650	5016831
5	1	HYDRAULSLANG	HYDRAULIC HOSE	4 1 3000	5018544
6	1	HYDRAULSLANG	HYDRAULIC HOSE	1 1.1/2 3100	5018337
7	1	HYDRAULSLANG	HYDRAULIC HOSE	2 1/4 1120	5018317
8	1	HYDRAULSLANG	HYDRAULIC HOSE	2 1/4 1130	5018541
9	2	HYDRAULSLANG	HYDRAULIC HOSE	2 1/2 450	5018318
10	1	HYDRAULSLANG	HYDRAULIC HOSE	2 3/4 2380	5018543
11	1	HYDRAULSLANG	HYDRAULIC HOSE	2 3/4 1300	5018542
12	1	HYDRAULSLANG	HYDRAULIC HOSE	1 1 1250	5018321
13	1	HYDRAULSLANG	HYDRAULIC HOSE	1 3/4 700	5018546
14	1	HYDRAULSLANG	HYDRAULIC HOSE	1 3/4 800	5018322
15	1	SUGSLANG	SUCTION HOSE	3" 1200	5018367
Pos Fig	Ant Qty	Benämning	Description	Dimension	Art. nr Part. nr

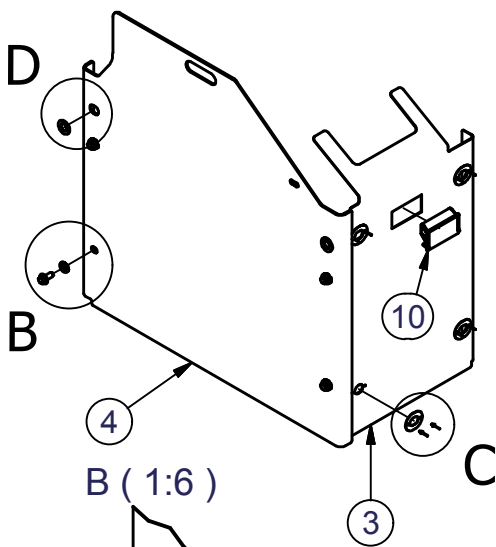
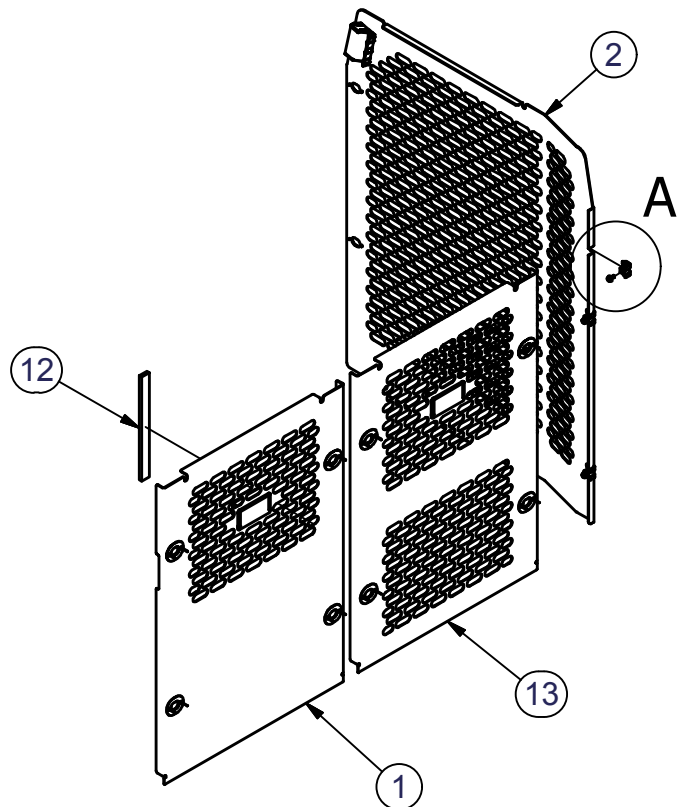
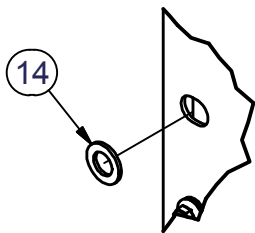
## MOTORLUCKOR

## ENGINE DOORS SET

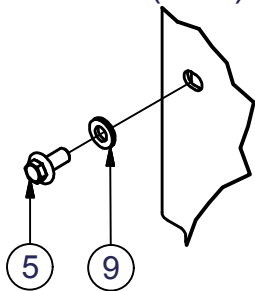
A ( 1:6 )



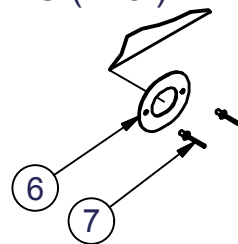
D ( 1:6 )



B ( 1:6 )



C ( 1:6 )



Pos Fig	Ant Qty	Benämning	Description	Dimension	Art. nr Part. nr
------------	------------	-----------	-------------	-----------	---------------------

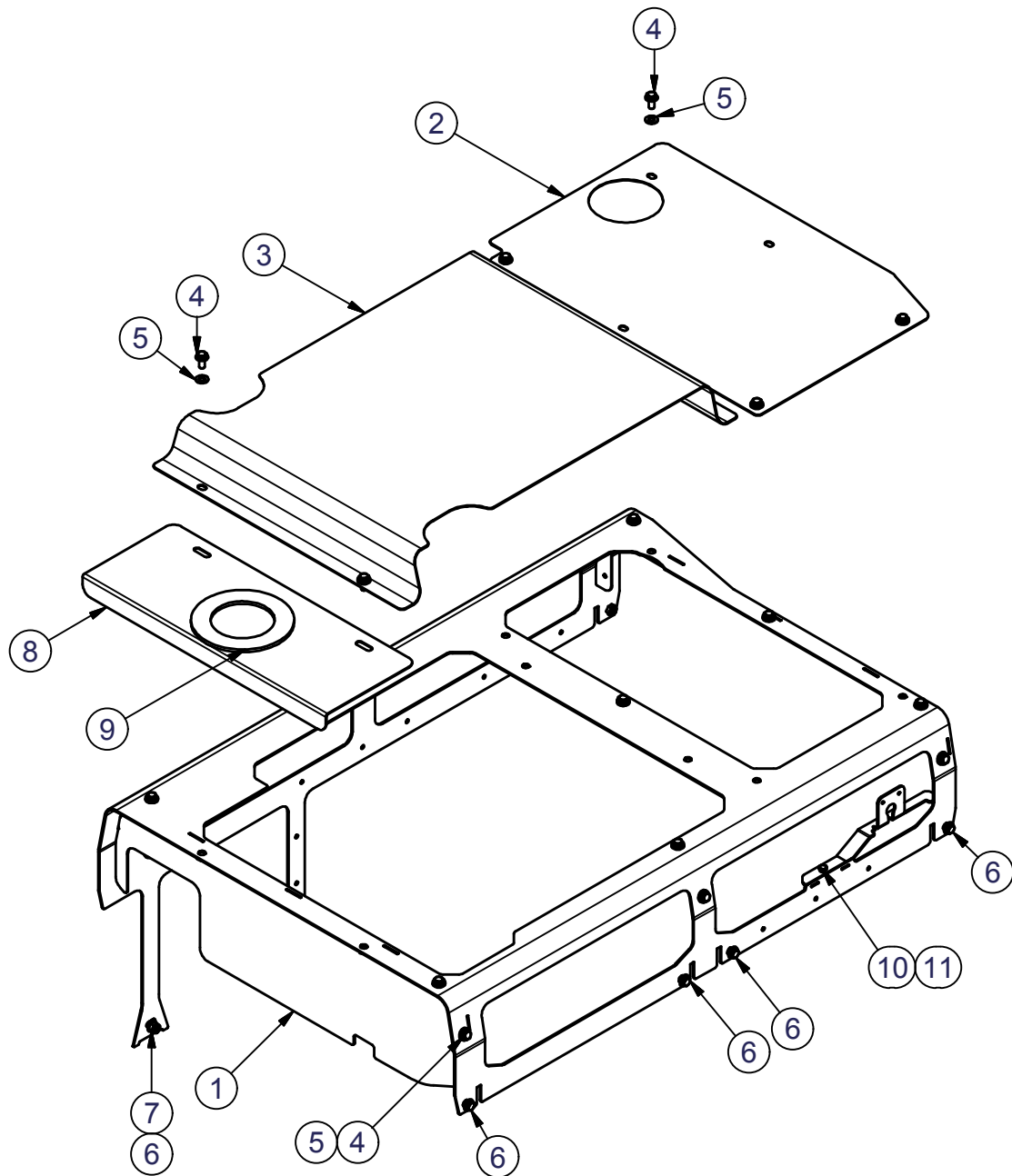


**MOTORLUCKOR****ENGINE DOORS SET**

1	1	SIDOLUCKA	SIDE DOOR		5018286
2	1	KYLARLUCKA	DOOR		5018287
3	1	BATTERILUCKA	COVER		5018314
4	1	SKYDD	PROTECTION		5018315
5	4	SKRUV	SCREW	M6SF 8.8 M12x25	9602194
6	14	BRICKA	WASHER		5018371
7	28	POPINIT	POP RIVET	3.2 x 6	5018372
8	3	GÅNGJÄRN	CORNER HINGE		5018226
9	4	BRICKA	NORD-LOCK WASHER	NL 13,5x25x3,4	1046440
10	4	GREPPHANDTAG	GRAB HANDLE		5018227
11	3	SKRUV	SCREW	M6SF 8.8 M6x12	9602011
12	6m	SKUMLIST	FOAM STRIP	25x8	5018403
13	1	SIDOLUCKA	SIDE DOOR		5018486
14	2	BRICKA	WASHER	BRB 21x36x3	955903
Pos Fig	Ant Qty	Benämning	Description	Dimension	Art. nr Part. nr

**MOTORHUV KPL.**

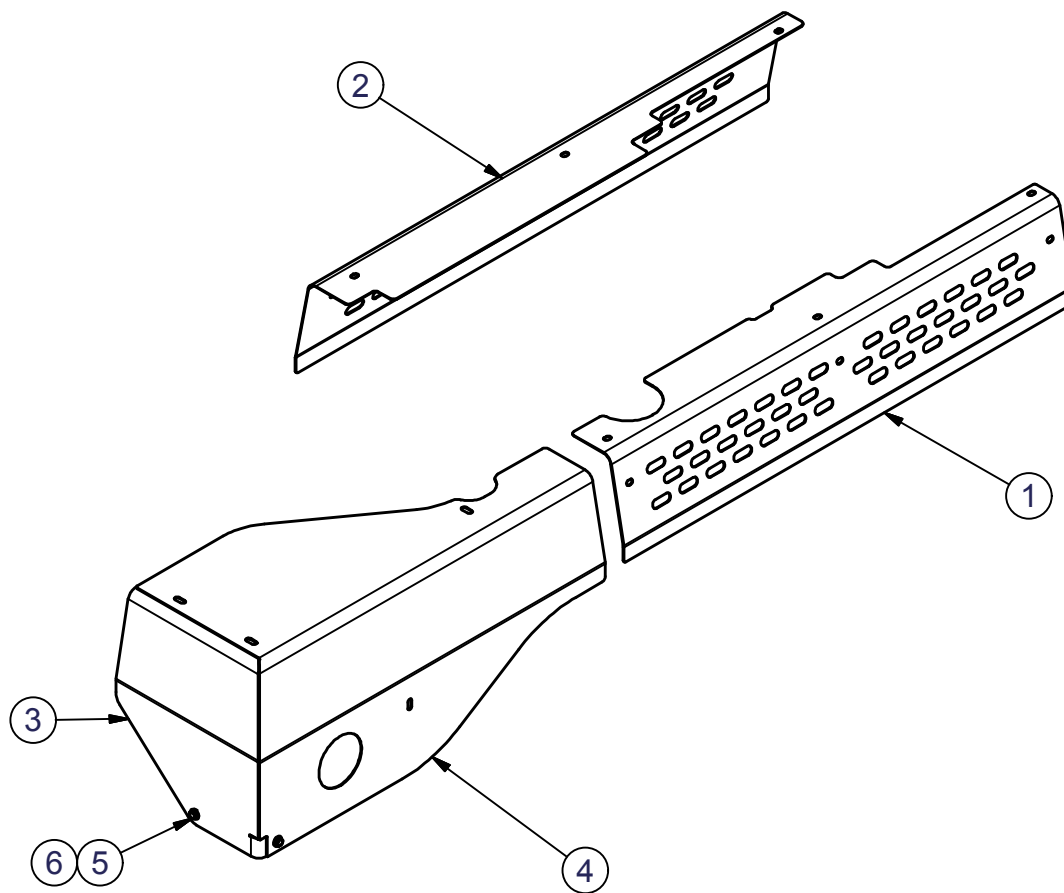
**ENGINE HOOD**



Pos Fig	Ant Qty	Benämning	Description	Dimension	Art. nr Part. nr
------------	------------	-----------	-------------	-----------	---------------------

**MOTORHUV KPL.****ENGINE HOOD**

1	1	MOTORHUV	ENGINE COVER		5018260
2	1	LOCK KYLARE	LOCK		5018282
3	1	VÄRMESKYDD	HEAT PROTECTION		5018401
4	23	SKRUV	SCREW	M6SF 8.8 M10x20	4703759
5	22	BRICKA	WASHER	BRB 11x22x2	1043116
6	6	SKRUV	SCREW	M6SF 8.8 M10x25	9602208
7	2	MUTTER	LOCK NUT	LÄSMF 8 M10	9602259
8	1	VÄRMESKYDD	HEAT PROTECTION		5018468
9	1	GUMMIBRICKA	RUBBER WASHER		5018469
10	1	SKRUV	SCREW	M6S 8.8 M8x20	955295
11	1	MUTTER	LOCK NUT	LÄSML 8 M8	1038215
Pos Fig	Ant Qty	Benämning	Description	Dimension	Art. nr Part. nr

**SKYDDSATS****COVER KIT**

Pos Fig	Ant Qty	Benämning	Description	Dimension	Art. nr Part. nr
------------	------------	-----------	-------------	-----------	---------------------

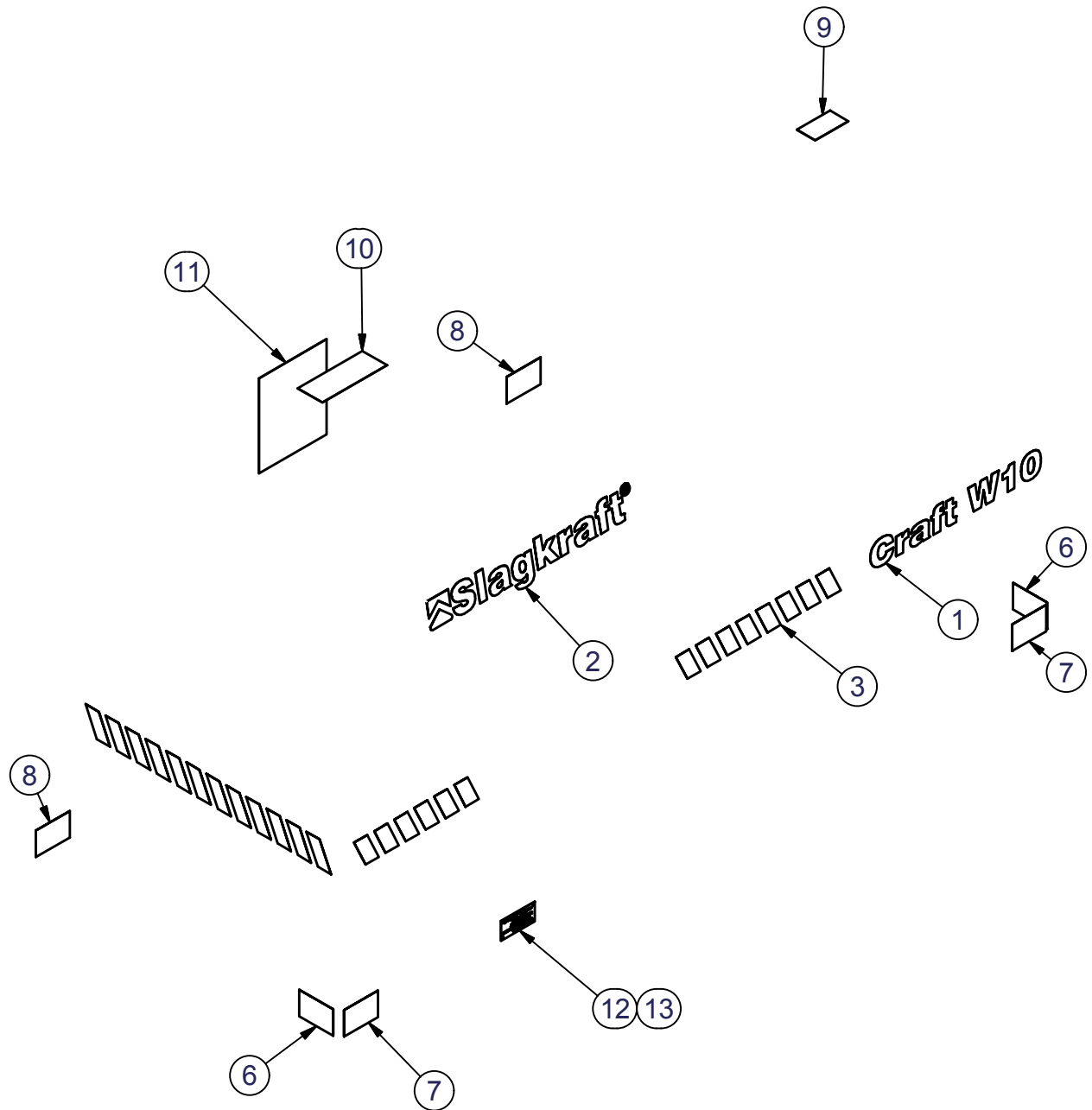
**SKYDDSATS****COVER KIT**

1	1	MOTORHUV	HOOD		5018495
2	1	MOTORHUV	HOOD		5018289
3	1	SKYDD	COVER		5018497
4	1	SKYDD	COVER		5018496
5	2	SKRUV	SCREW	M6SF 8.8 M10x25	1060420
6	2	MUTTER	LOCK NUT	LÅSMF 8 M10	1060437
Pos Fig	Ant Qty	Benämning	Description	Dimension	Art. nr Part. nr



## DEKALSATS

## DECAL KIT



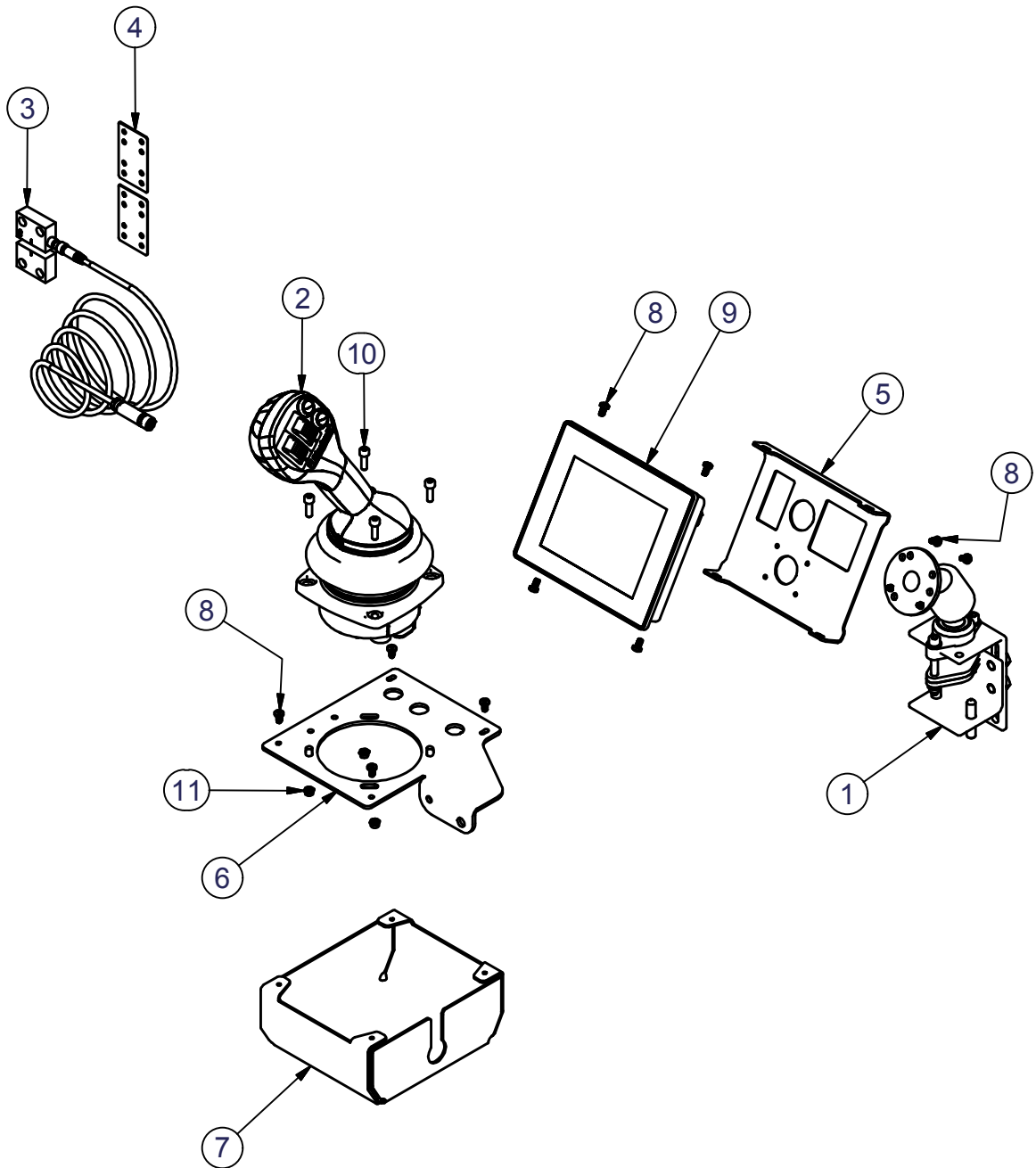
Pos Fig	Ant Qty	Benämning	Description	Dimension	Art. nr Part. nr
---------	---------	-----------	-------------	-----------	------------------

**DEKALSATS****DECAL KIT**

1	1	DEKAL	DECAL	Craft W10	5018493
2	1	DEKAL	DECAL	SLAGKRAFT	5014454
3	4	DEKAL	DECAL	STRIPE	5014451_8
6	2	REFLEX ORANGE	REFLEX ORANGE	110x75	1042311
7	2	REFLEX VIT	REFLEX WHITE	110x75	1042312
8	2	REFLEX RÖD	REFLEX RED	110x75	1042313
9	1	DEKAL	DECAL	HOT FLUID	5014437
10	1	DEKAL	DECAL	FILTER INSIDE	5014416
11	1	DEKAL	DECAL	WARNING	5018466
12	1	MASKINSKYLT	TRADEMARK CE-MARK	56 ≤ P < 75 kW	5018224
13	4	POPPNIT	RIVET		9989463
Pos Fig	Ant Qty	Benämning	Description	Dimension	Art. nr Part. nr

## HYTTSATS

## CAB KIT

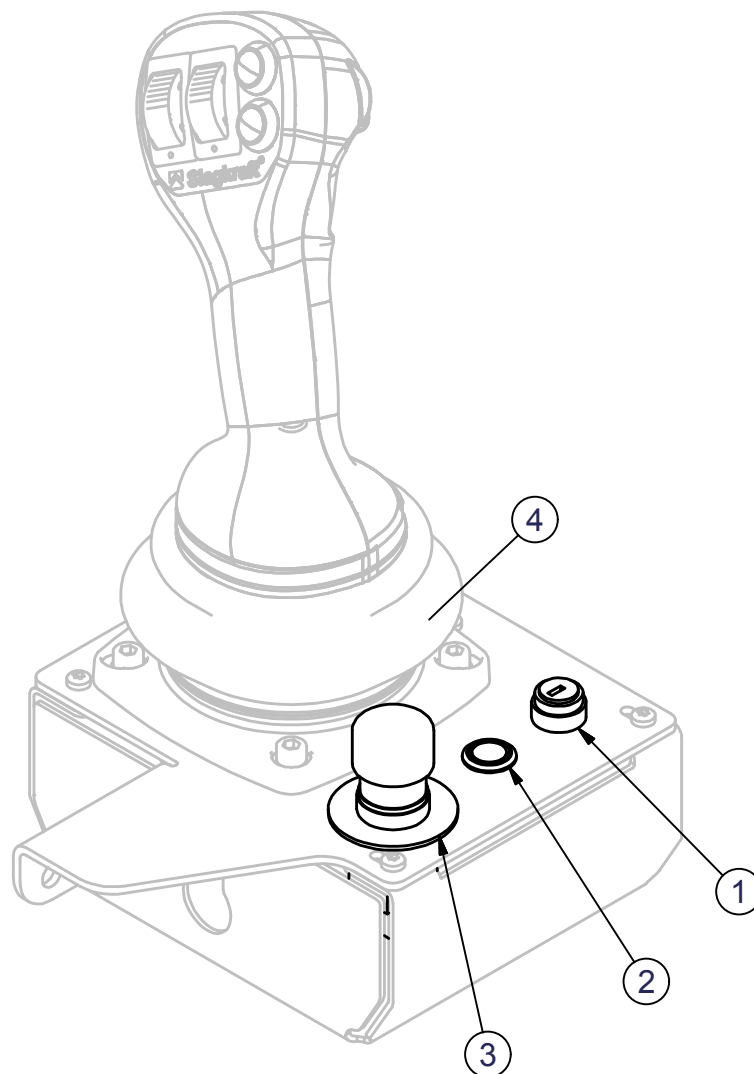


Pos Fig	Ant Qty	Benämning	Description	Dimension	Art. nr Part. nr
---------	---------	-----------	-------------	-----------	------------------



**HYTTTSATS****CAB KIT**

1	1	ZIRKONA KIT	ZIRKONA KIT		5018180
2	1	JOYSTICK	JOYSTICK		5018390
3	1	DÖRRBRYTARE KIT	DOOR SWITCH SET		5018140
4	2	FÄSTE	BRACKET	DÖRRBRYTARE	5018210
5	1	HÅLLARE	BRACKET	MD5	5018514
6	1	FÄSTE	MOUNTING		5018458
7	1	SKYDD	COVER		5018459
8	12	SKRUV	SCREW	MRT-TT M4x8	4703786
9	1	DISPLAYENHET	DISPLAY UNIT	IQAN MD5	5018512
10	4	SKRUV	SCREW	MC6S 8.8 M5x16	959189
11	4	MUTTER	LOCK NUT	LÄSML 8 M5	1043777
Pos Fig	Ant Qty	Benämning	Description	Dimension	Art. nr Part. nr

**HYTTINSTALLATION****CAB INSTALLATION**

Pos Fig	Ant Qty	Benämning	Description	Dimension	Art. nr Part. nr
------------	------------	-----------	-------------	-----------	---------------------

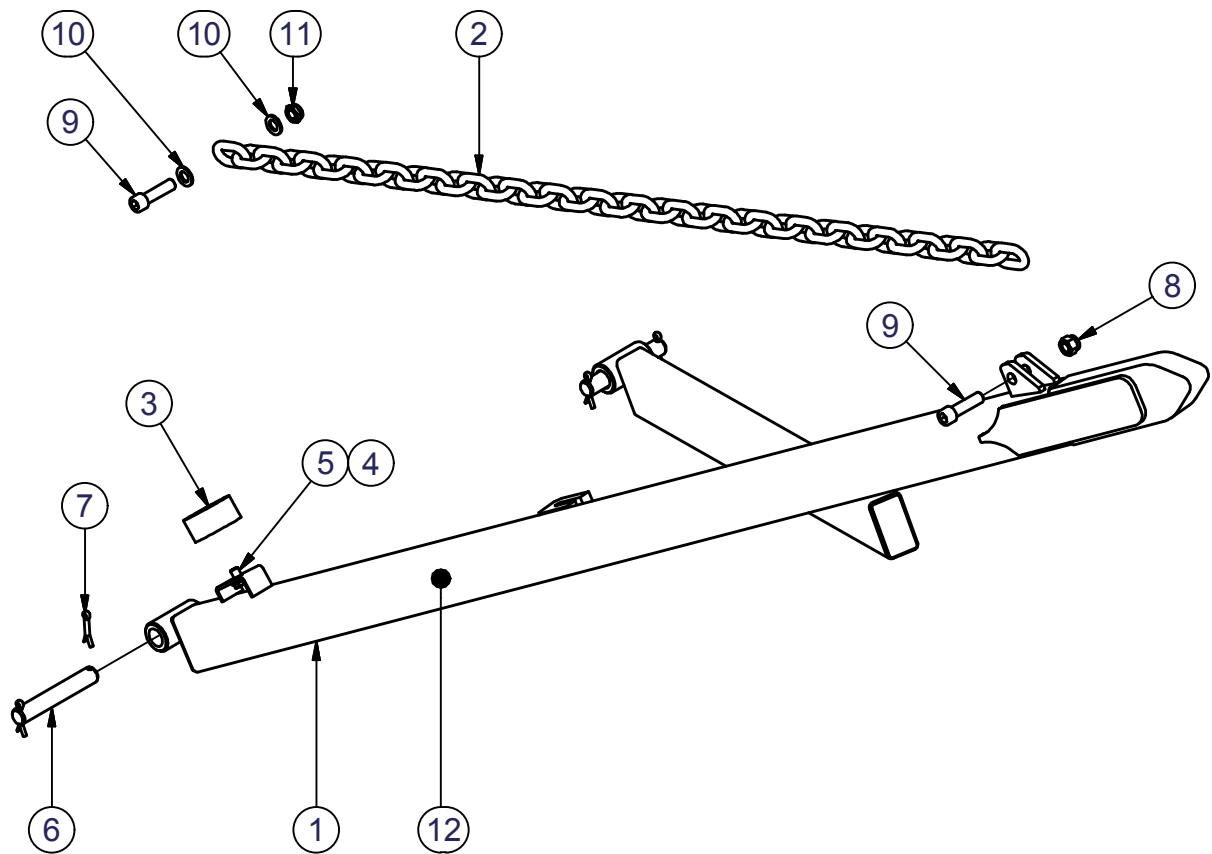
**HYTTINSTALLATION****CAB INSTALLATION**

1	1	STARTLÅS	IGNITION LOCK		5018805
2	1	TRYCKKNAPP	PUSHBUTTON		5018811
3	1	NÖDSTOPP	EMERGENCY STOP		5018813
4	1	SUMMER	BUZZER		5018814
Pos Fig	Ant Qty	Benämning	Description	Dimension	Art. nr Part. nr



## TRANSPORTSTÖD KPL.

## SUPPORT



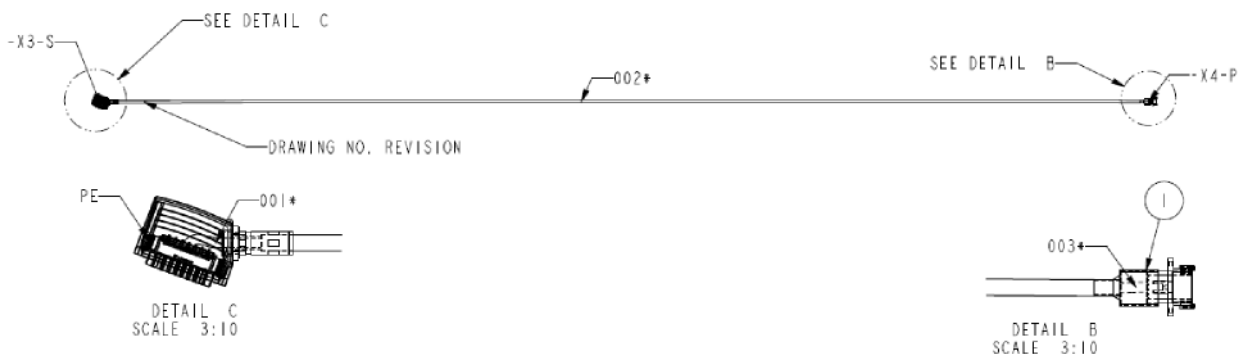
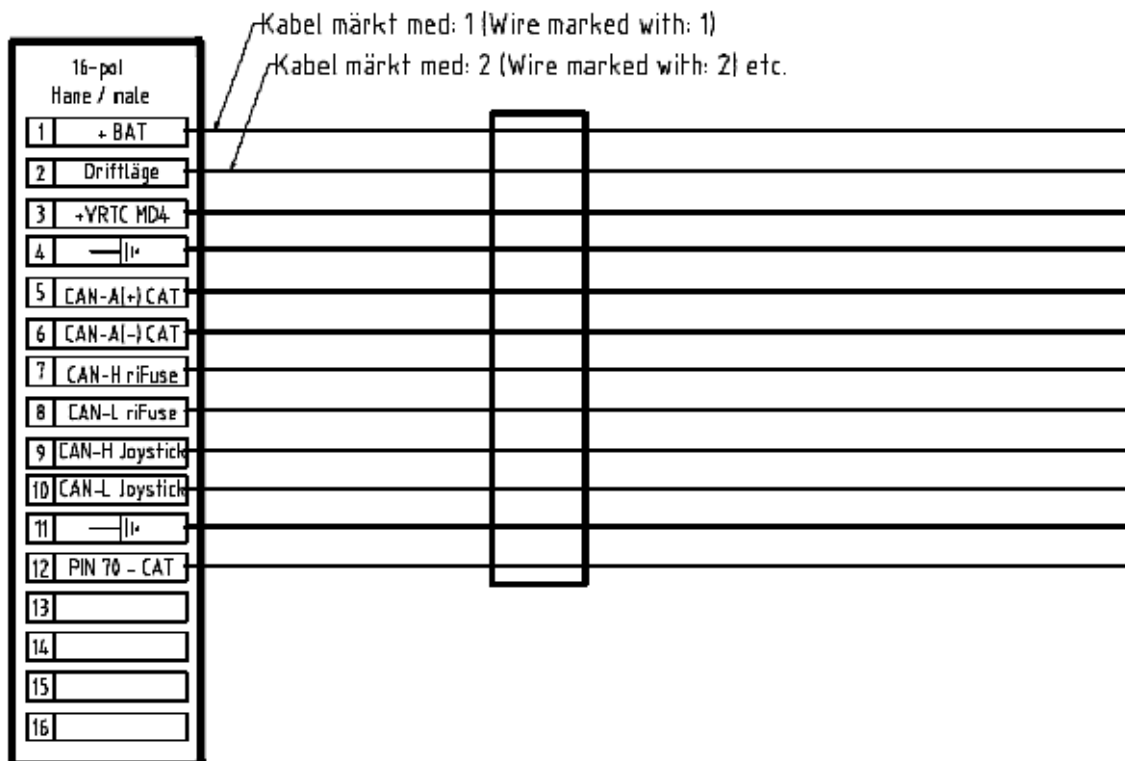
Pos Fig	Ant Qty	Benämning	Description	Dimension	Art. nr Part. nr
------------	------------	-----------	-------------	-----------	---------------------

**TRANSPORTSTÖD KPL.  
SUPPORT**

1	1	TRANSPORTSTÖD	SUPPORT		5018303
2	1	KÄTTING	CHAIN	13mm-1,5m	5017907
3	1	VIBRATIONSDÄMPARE	RUBBER CUSHION		1046507
4	1	BRICKA	NORD-LOCK WASHER	NL 13,5x25x3,4	1046440
5	1	SKRUV	SCREW	M6S 8.8 M12x20	1061201
6	2	TAPP T-STÖD	PIN T-SUPPORT	D25x155	5012883
7	4	SAXPINNE	SPLIT PIN	SP 6,3x40	1048321
8	1	MUTTER	LOCK NUT	LÄSMH 8 M16	1060958
9	2	SKRUV	SCREW	MC6S 12.9 M16x60	1060372
10	2	BRICKA	WASHER	BRB 17x30x3	1060773
11	1	MUTTER	LOCK NUT	LÄSML 10 M16	1039116
12	1	REFLEXTEJP	REFLECTIVE TAPE		5018175
Pos Fig	Ant Qty	Benämning	Description	Dimension	Art. nr Part. nr

## MELLANKABEL

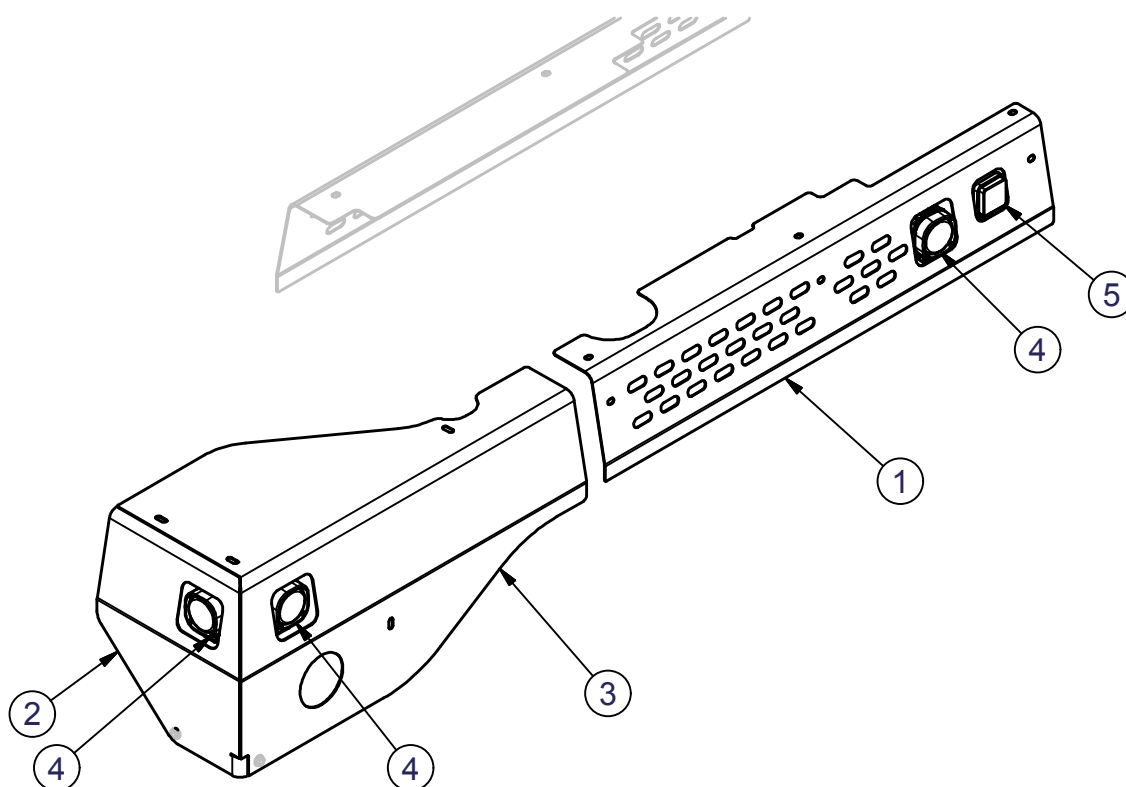
## CONNECTION CABLE



Pos Fig	Ant Qty	Benämning	Description	Dimension	Art. nr Part. nr
---------	---------	-----------	-------------	-----------	------------------

**MELLANKABEL****CONNECTION CABLE**

1	1	MELLANKABEL	CONNECTION CABLE		5018421
Pos Fig	Ant Qty	Benämning	Description	Dimension	Art. nr Part. nr

**BELYSNINGSSATS****LIGHT ASSEMBLY**

Pos Fig	Ant Qty	Benämning	Description	Dimension	Art. nr Part. nr
------------	------------	-----------	-------------	-----------	---------------------



**BELYSNINGSSATS****LIGHT ASSEMBLY**

1	1	MOTORHUV	HOOD		5018288
2	1	SKYDD	COVER		5018444
3	1	SKYDD	COVER		5018443
4	3	ARBETSBELYSNING	WORKING LIGHT		5018445
5	1	BLIXTLJUS MED DIODER	FLASHLIGHT		1041857
6	1	KABLAGE	HARNESS		5018523
Pos Fig	Ant Qty	Benämning	Description	Dimension	Art. nr Part. nr



**Cranab AB  
SE-922 82 VINDELN  
SWEDEN**



**+46-(0)933-135 00**



**+46-(0)933-617 36**

**[www.slagkraft.com](http://www.slagkraft.com)  
[www.cranab.com](http://www.cranab.com)**